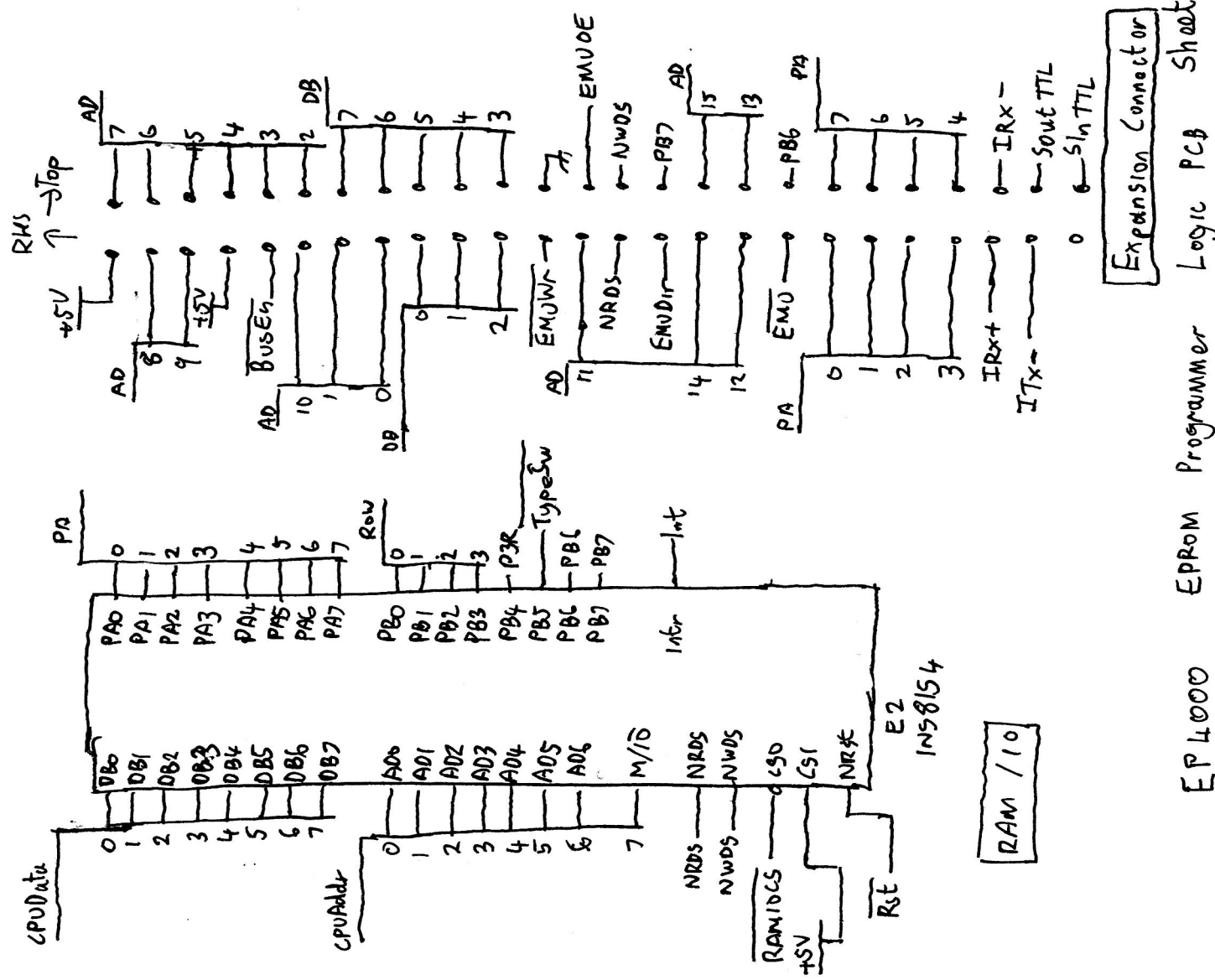
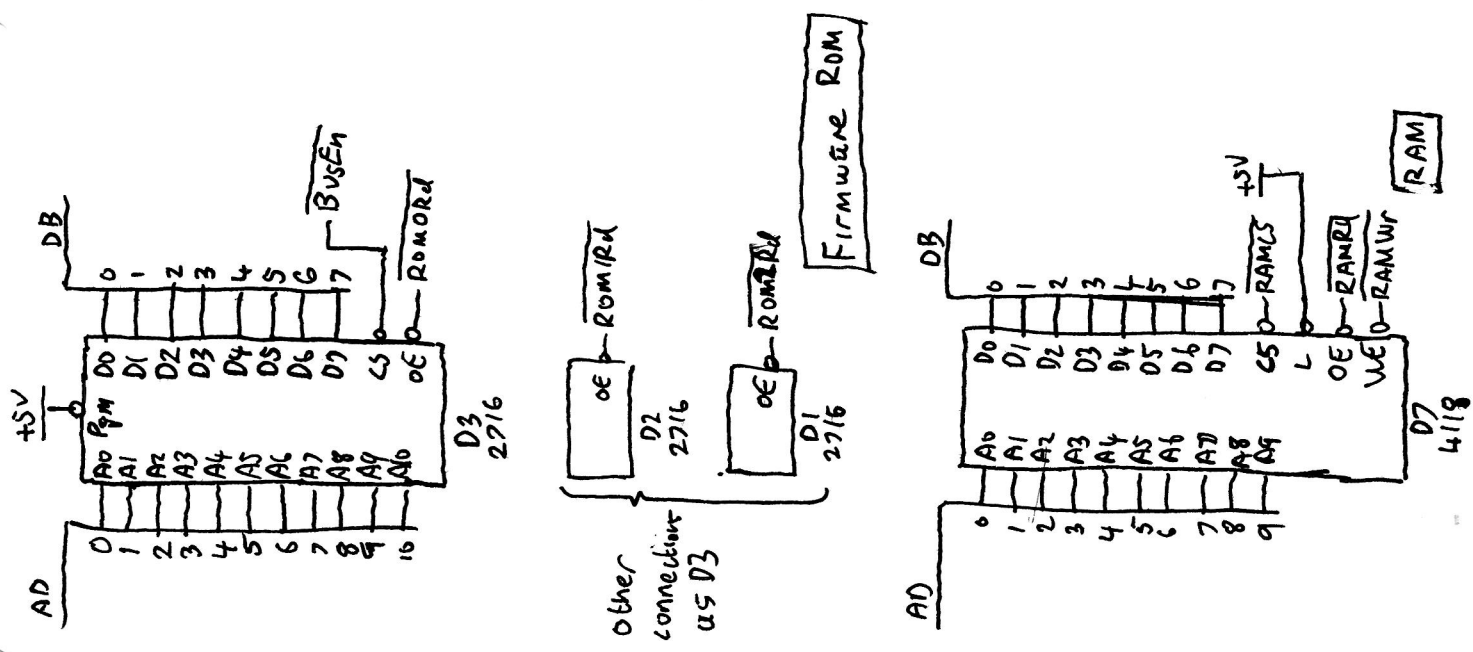
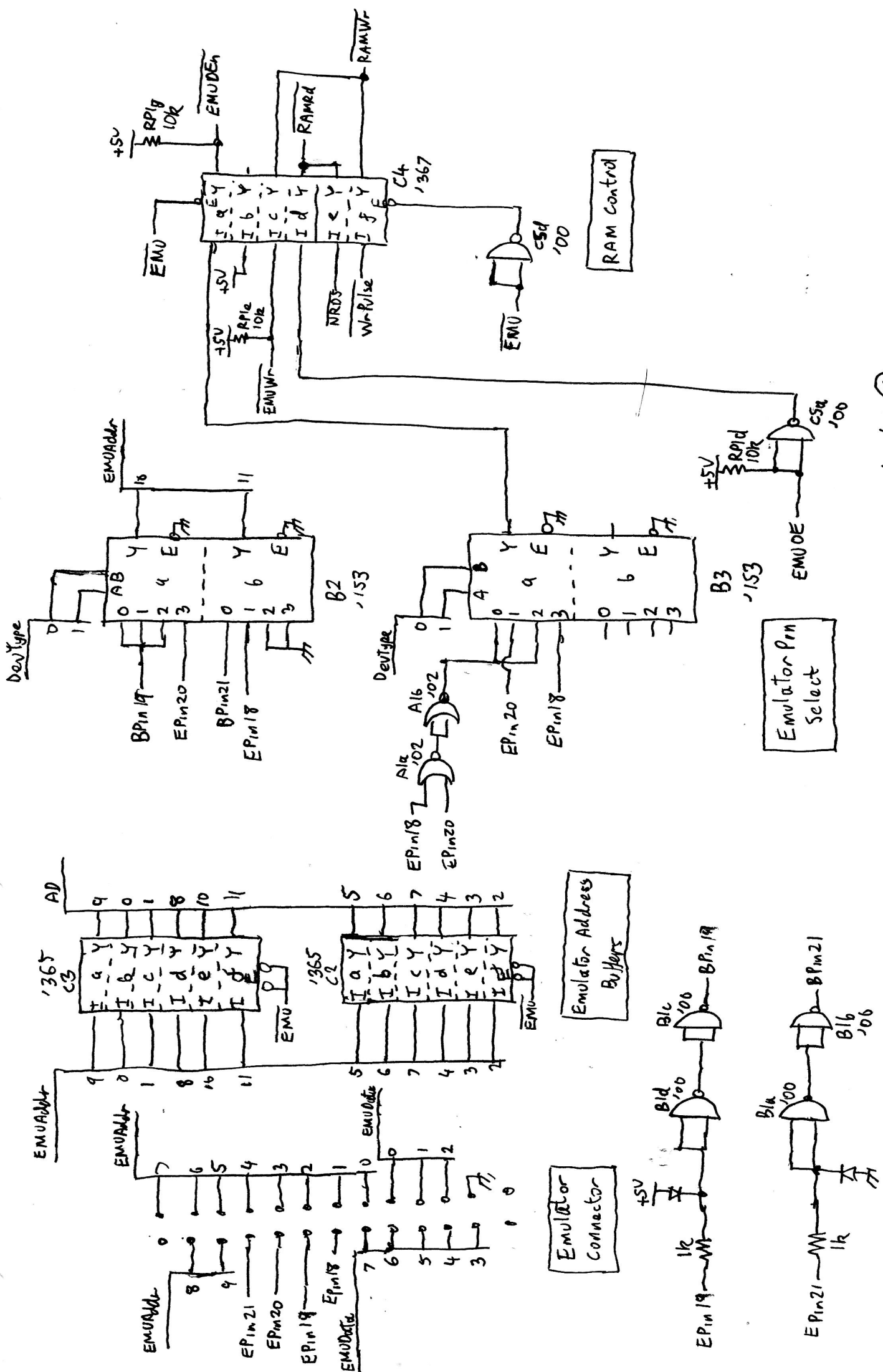


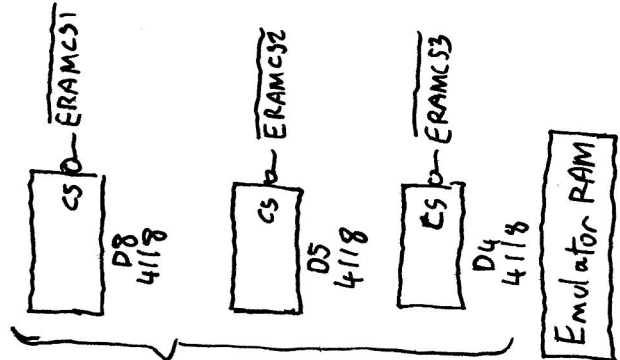
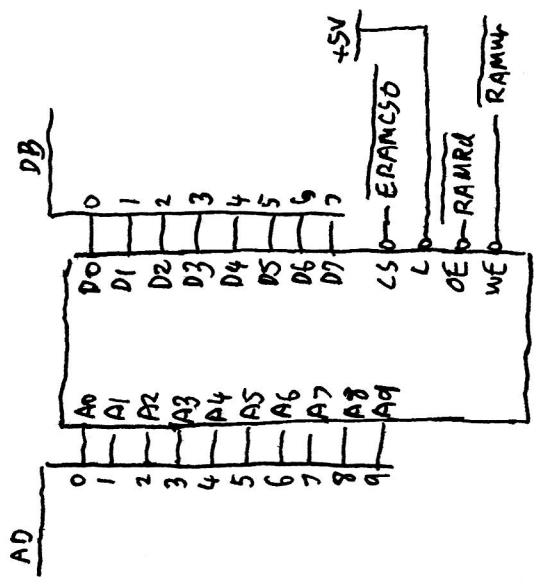
Address Decoder

Address Buffer

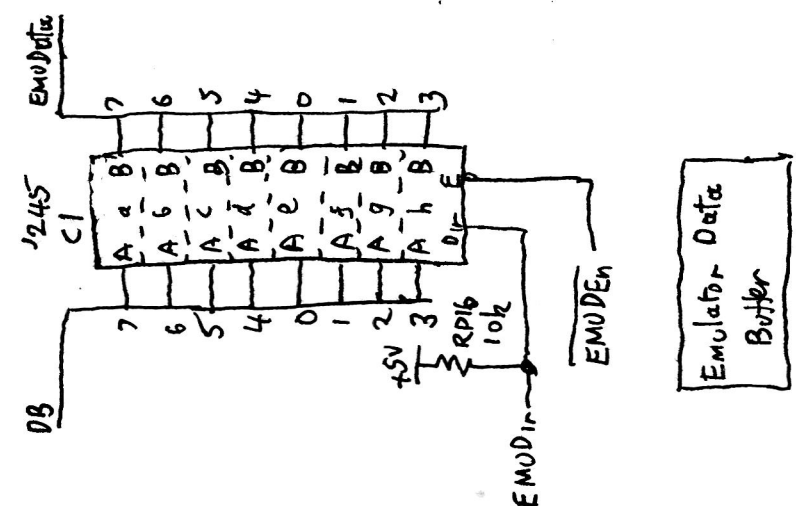


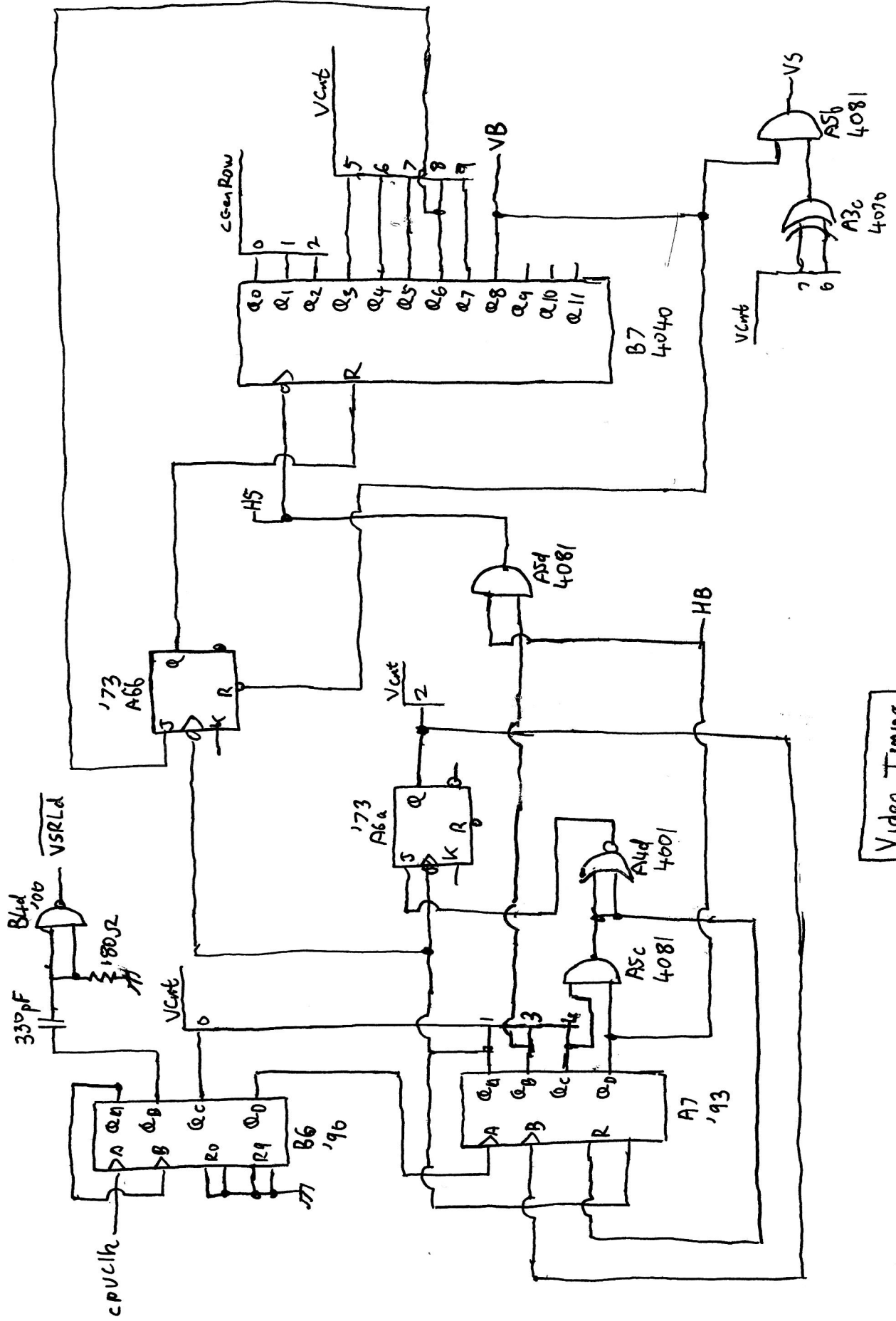
4



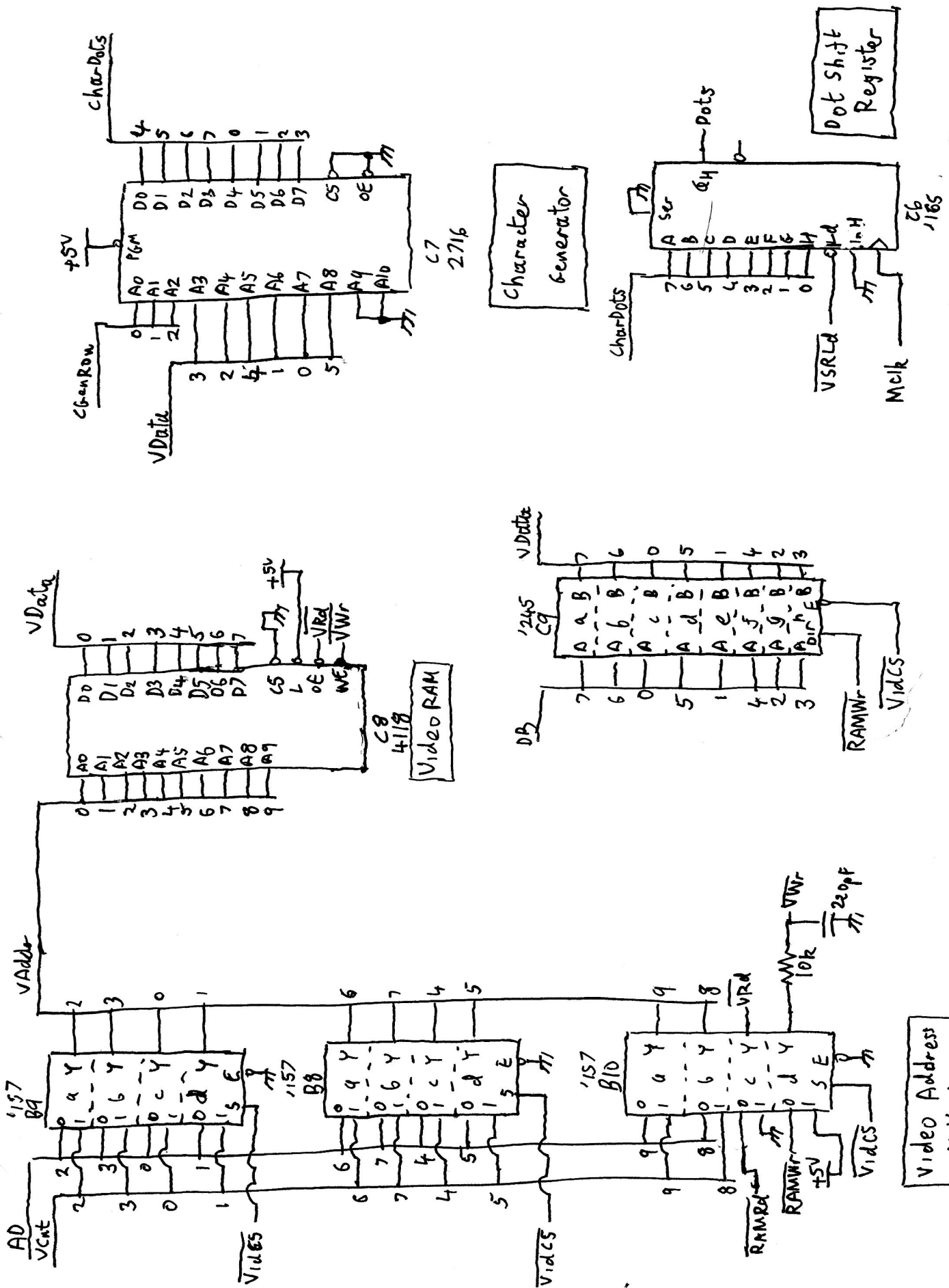


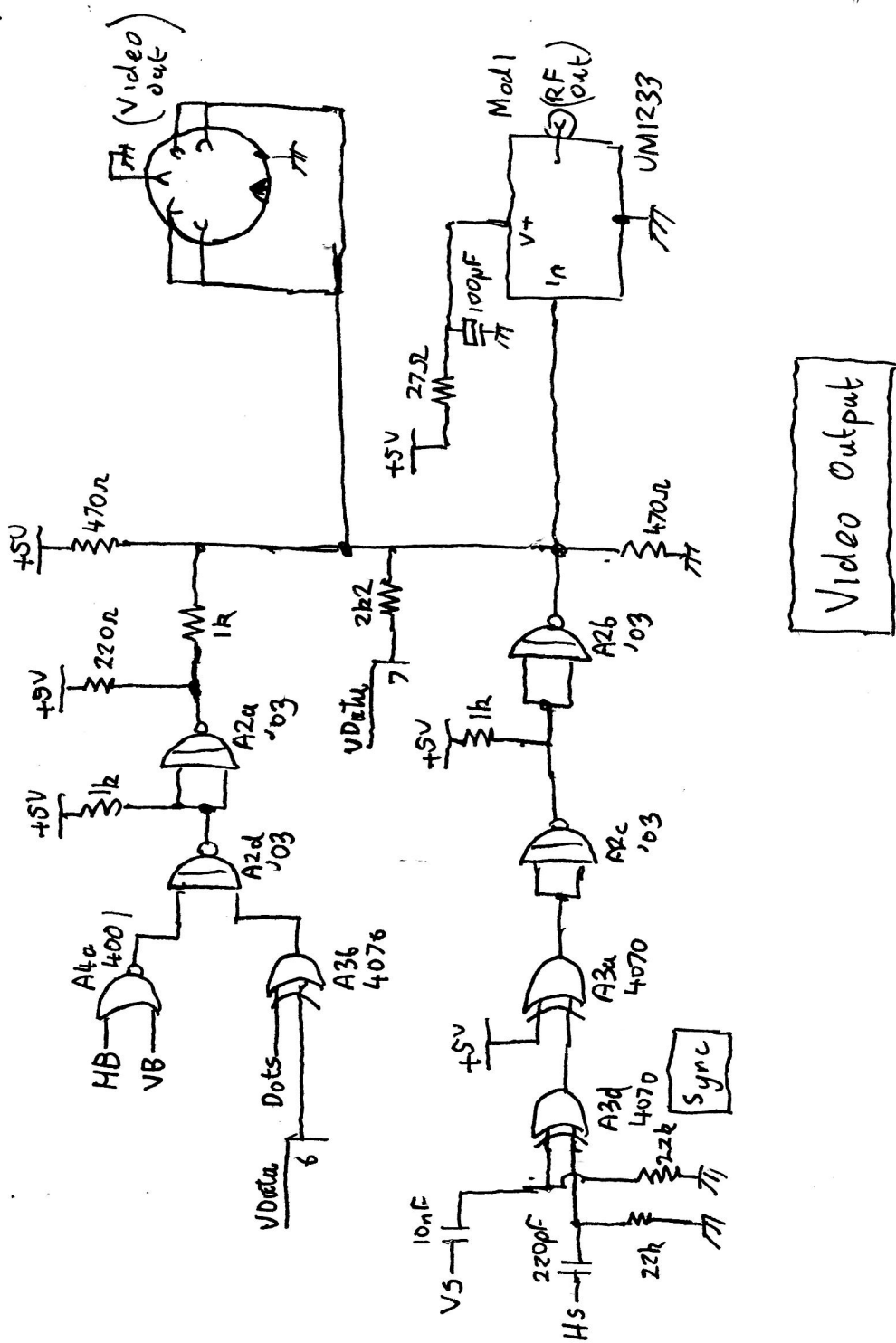
other connections as D6

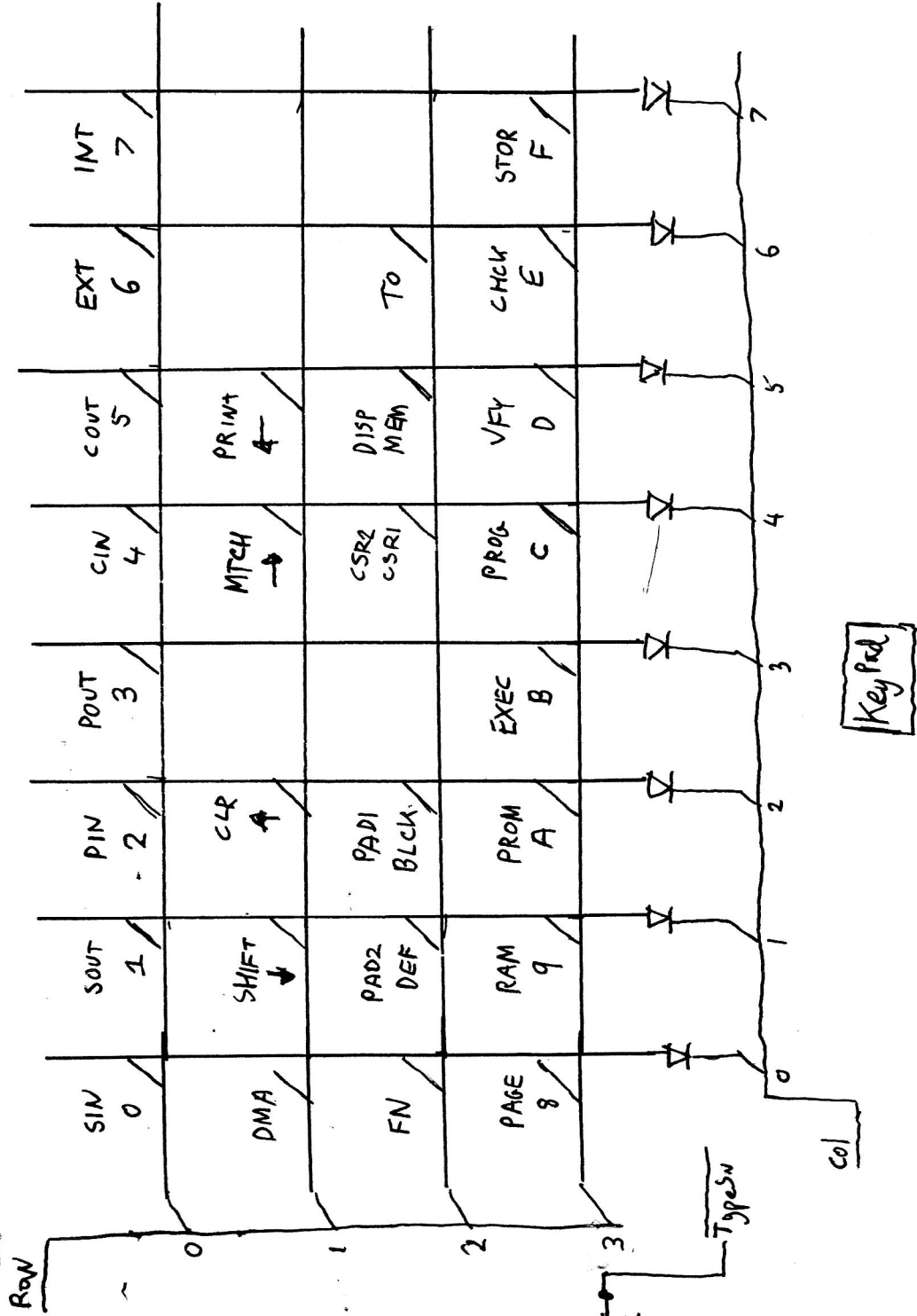
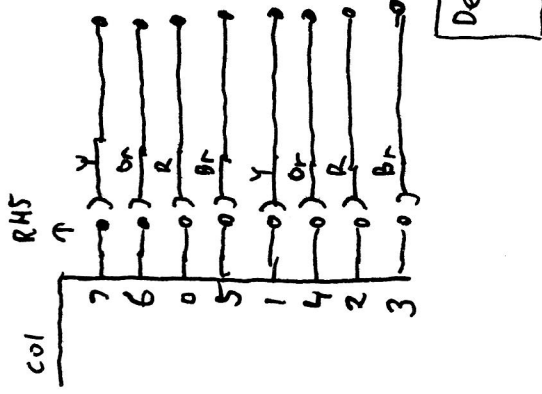
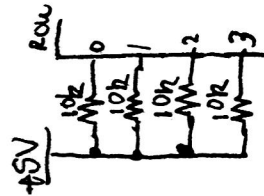
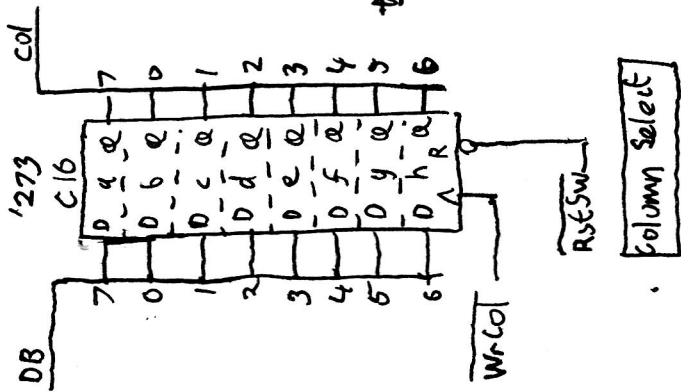


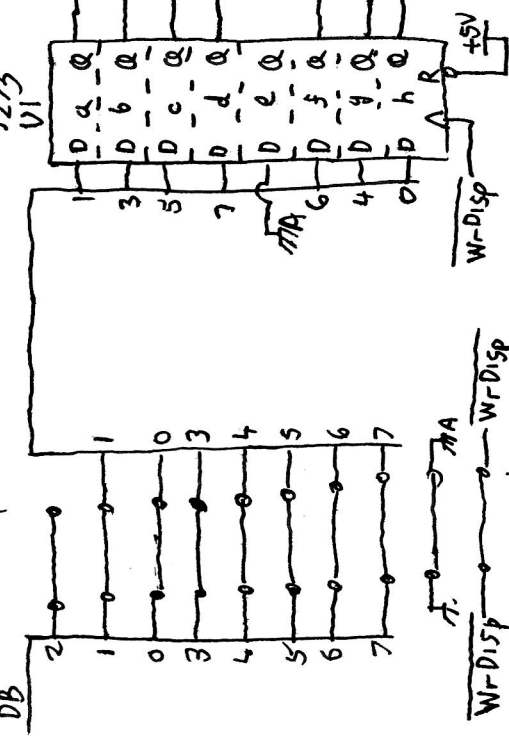
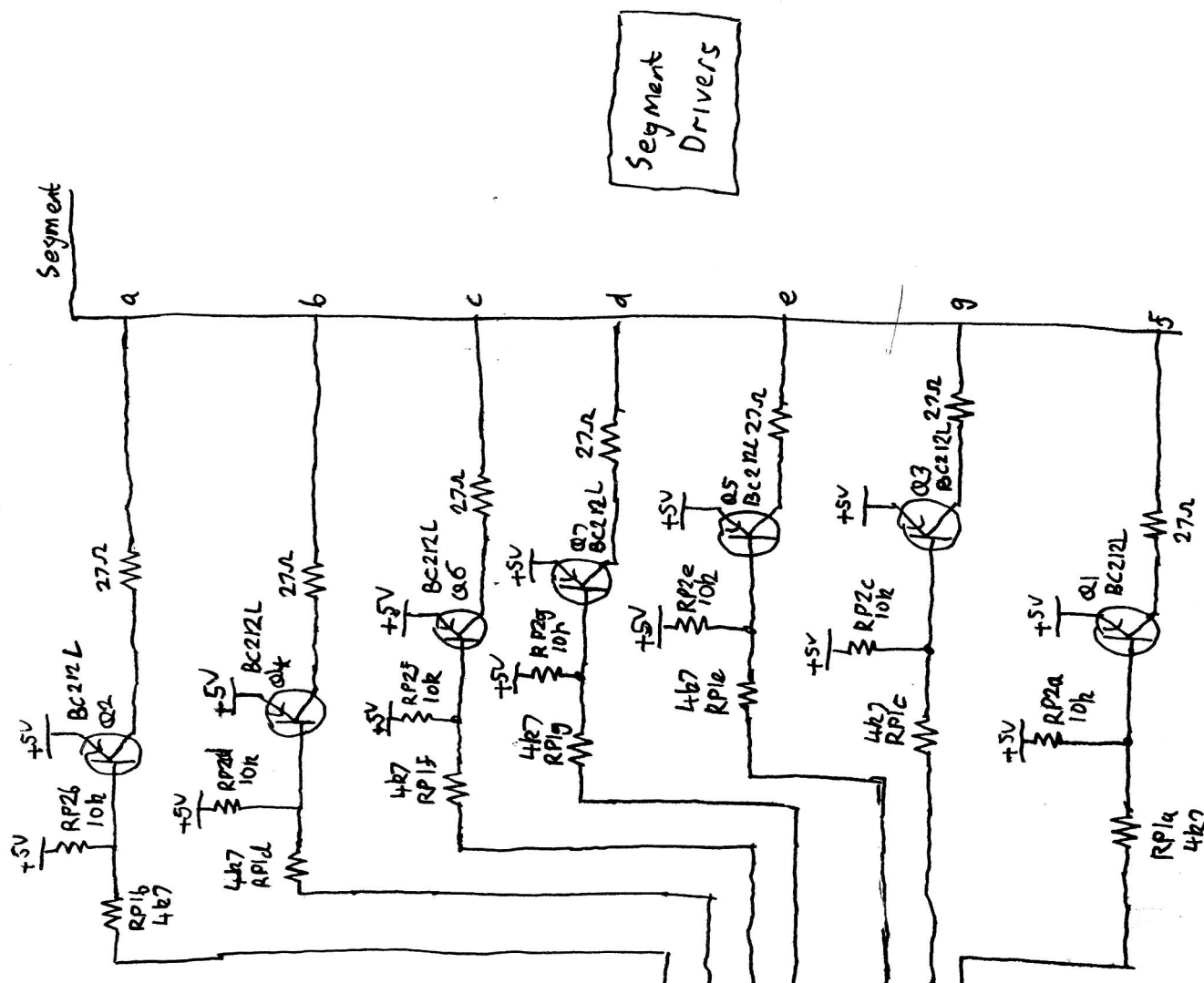
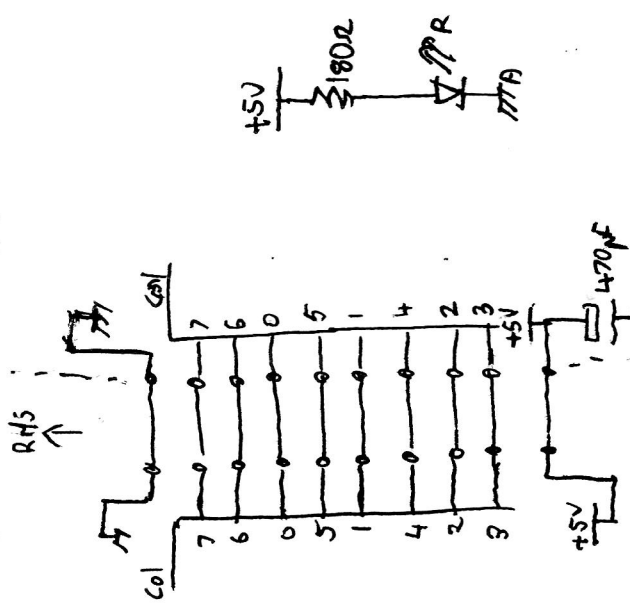


Video Timing

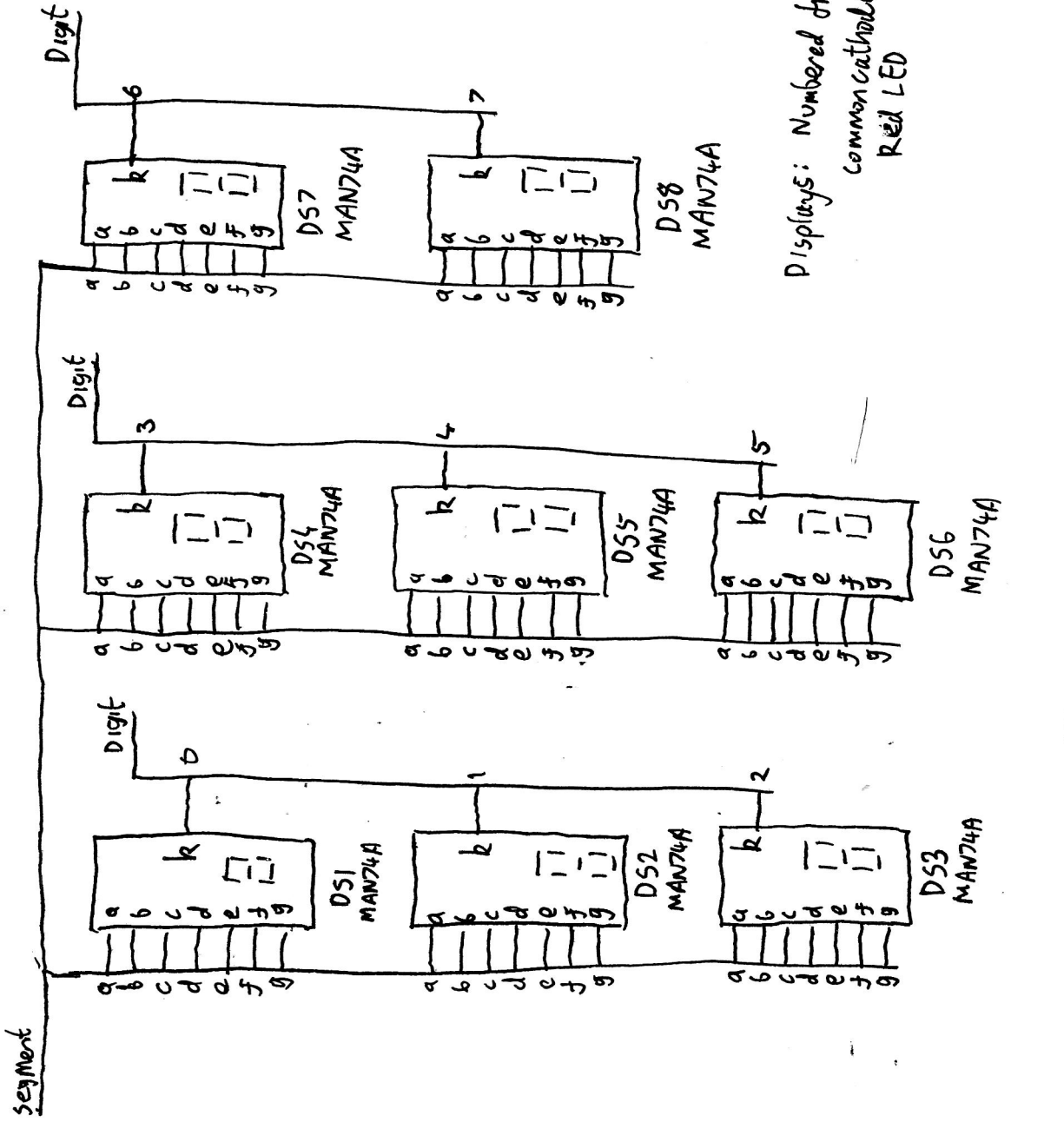






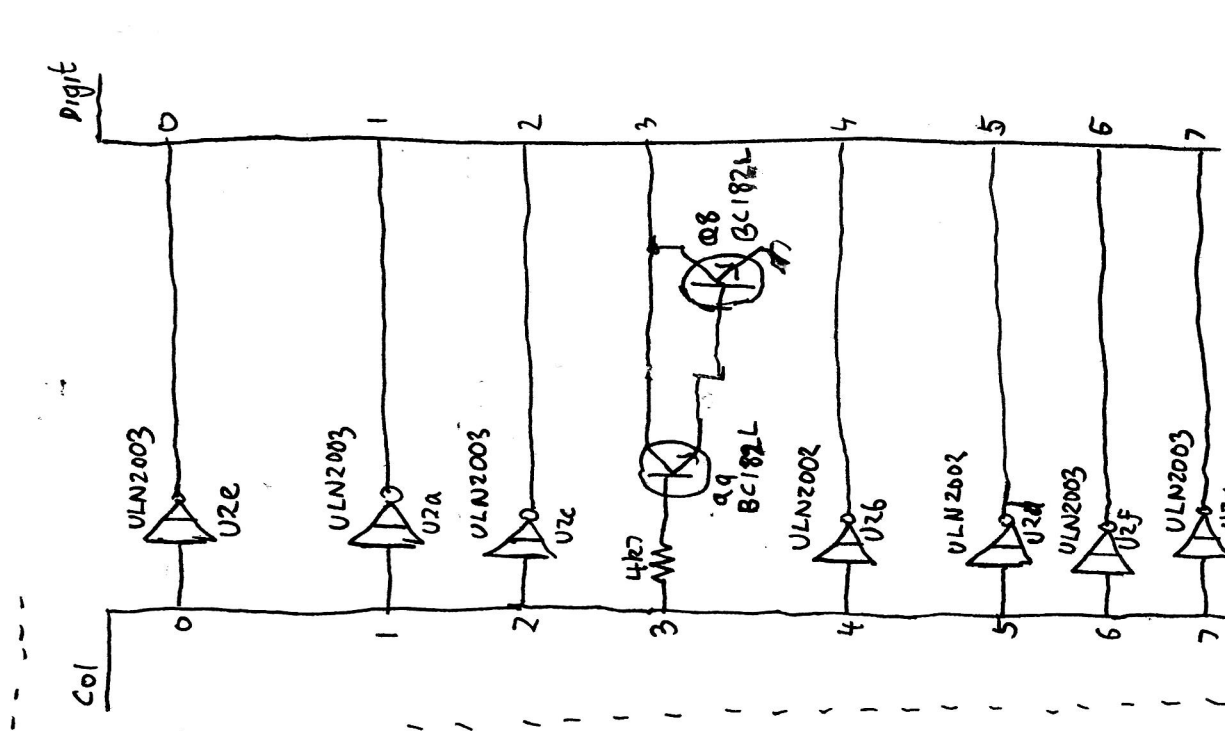


Display PCB

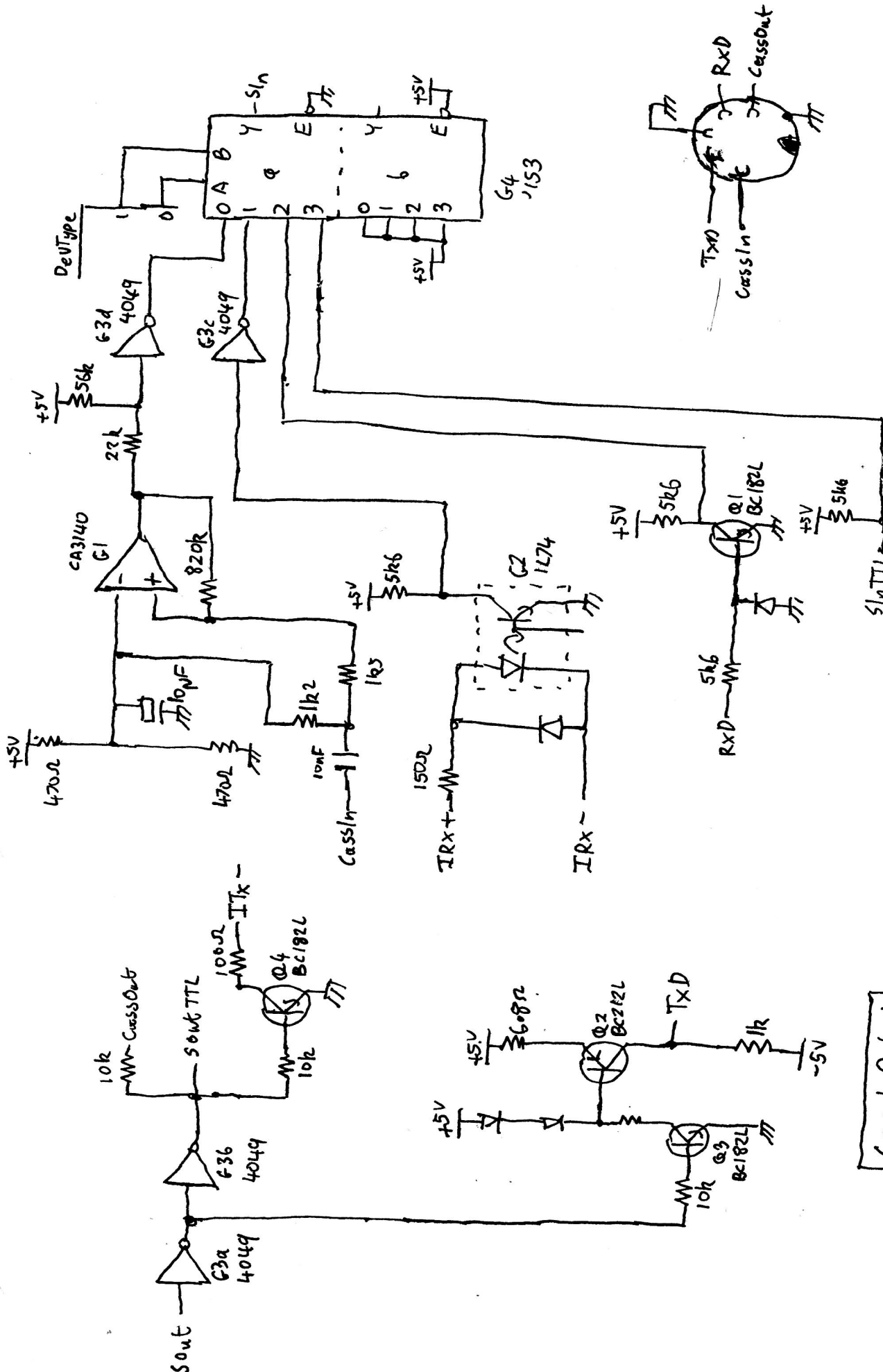


Displays: Numbered from LHS
Common cathode
Red LED

Display

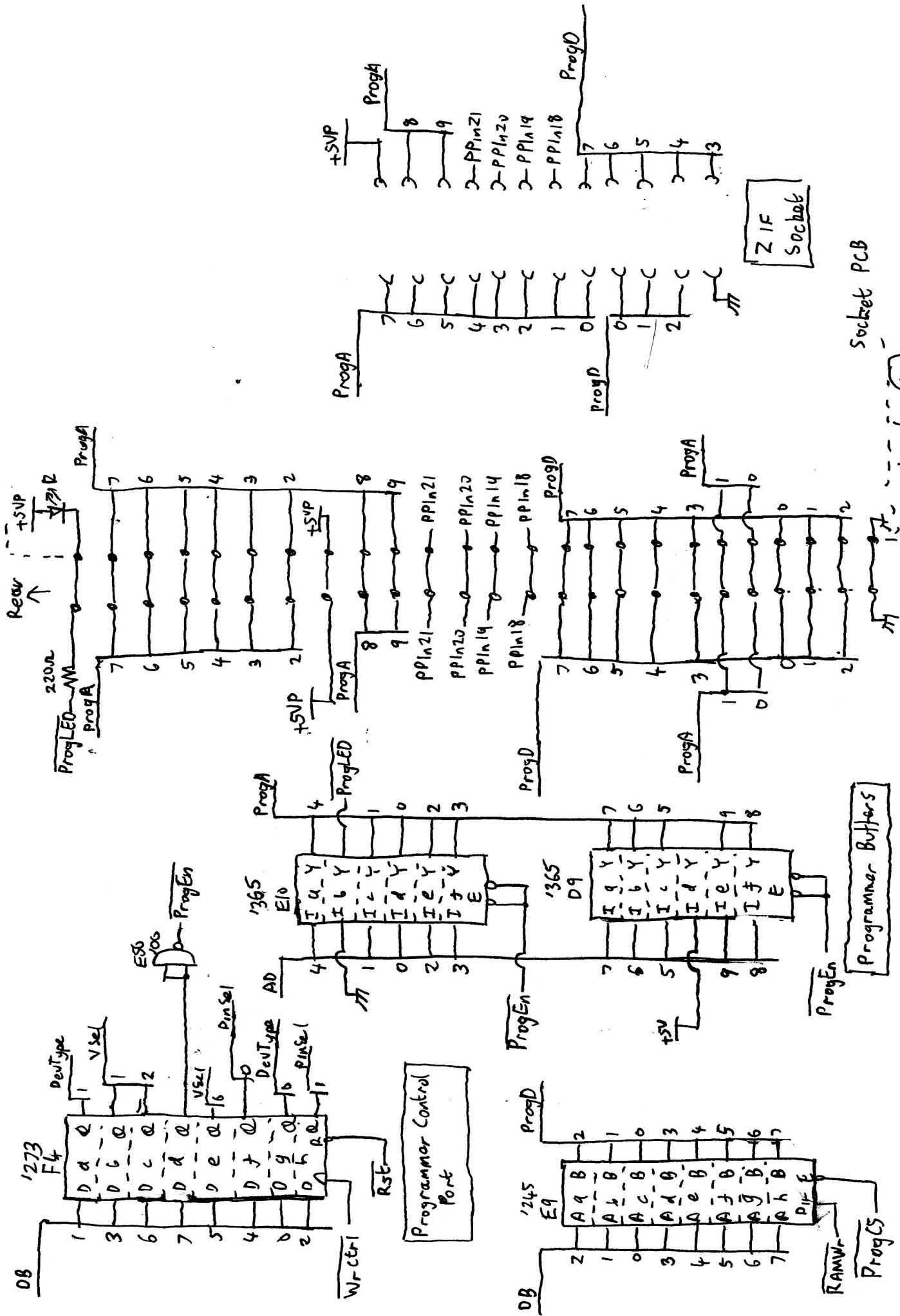


Digit Drivers



Serial Output

Serial Input



ZIF Socket

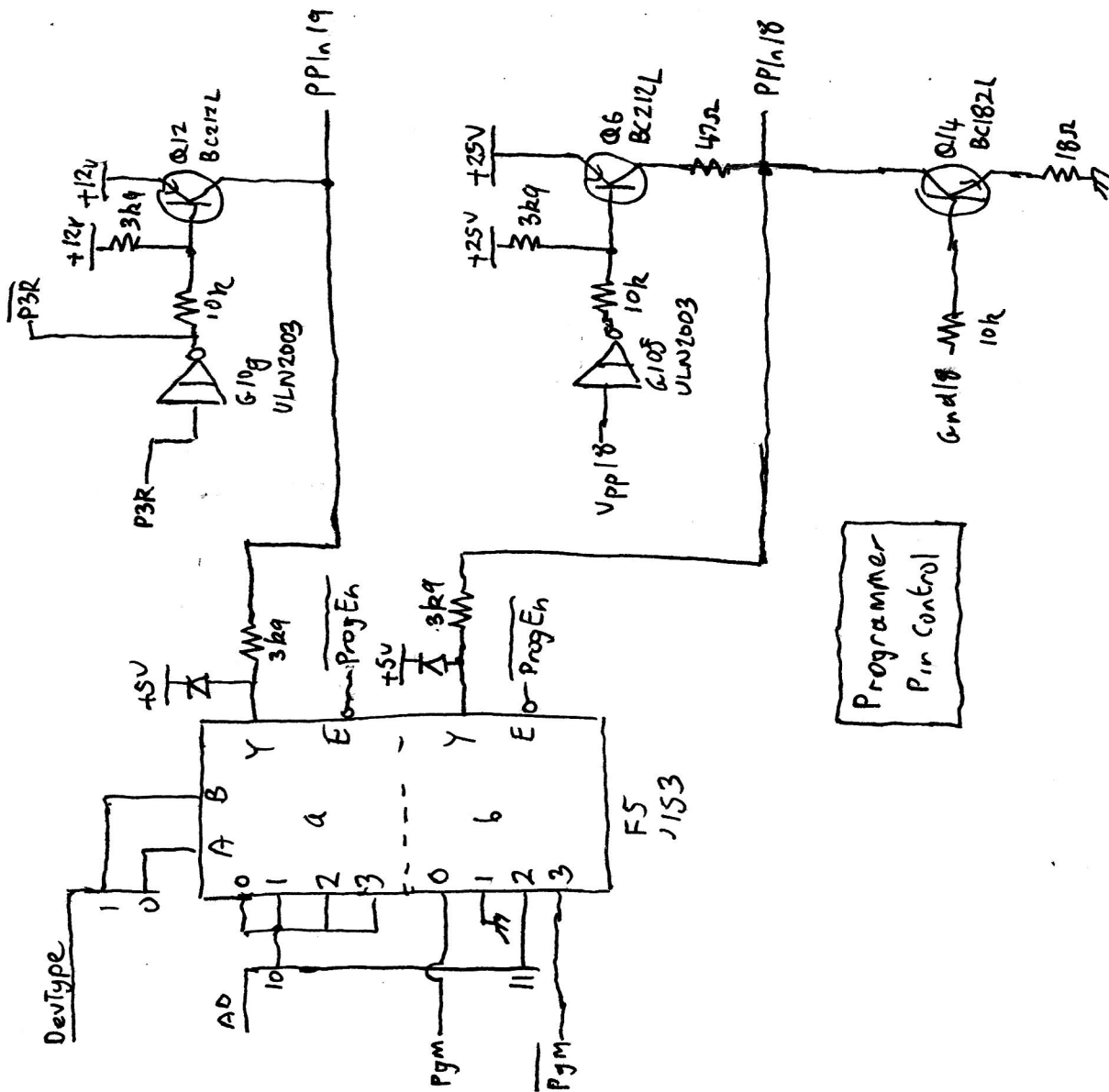
Programmer Buffers

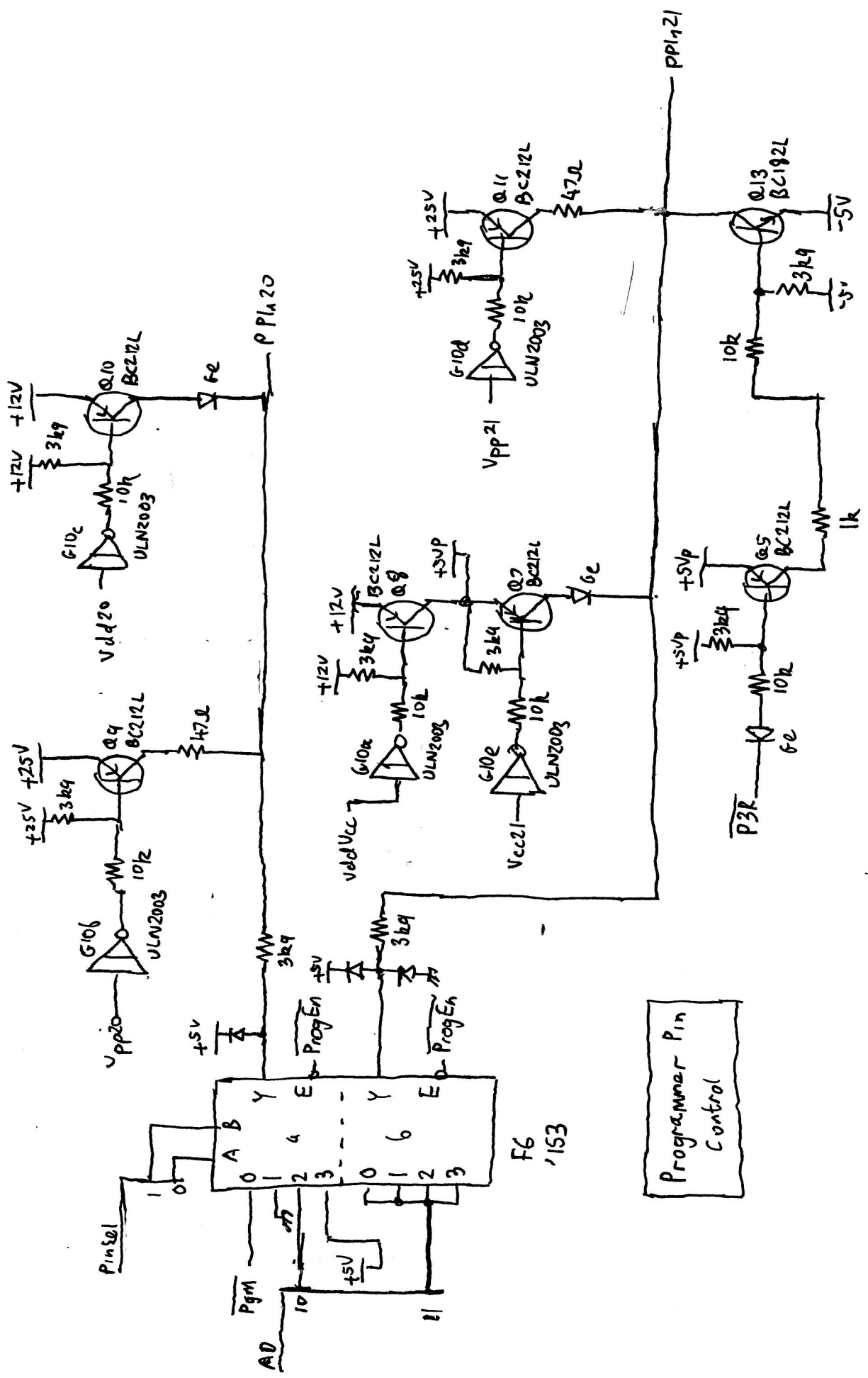
Programmer Control Port

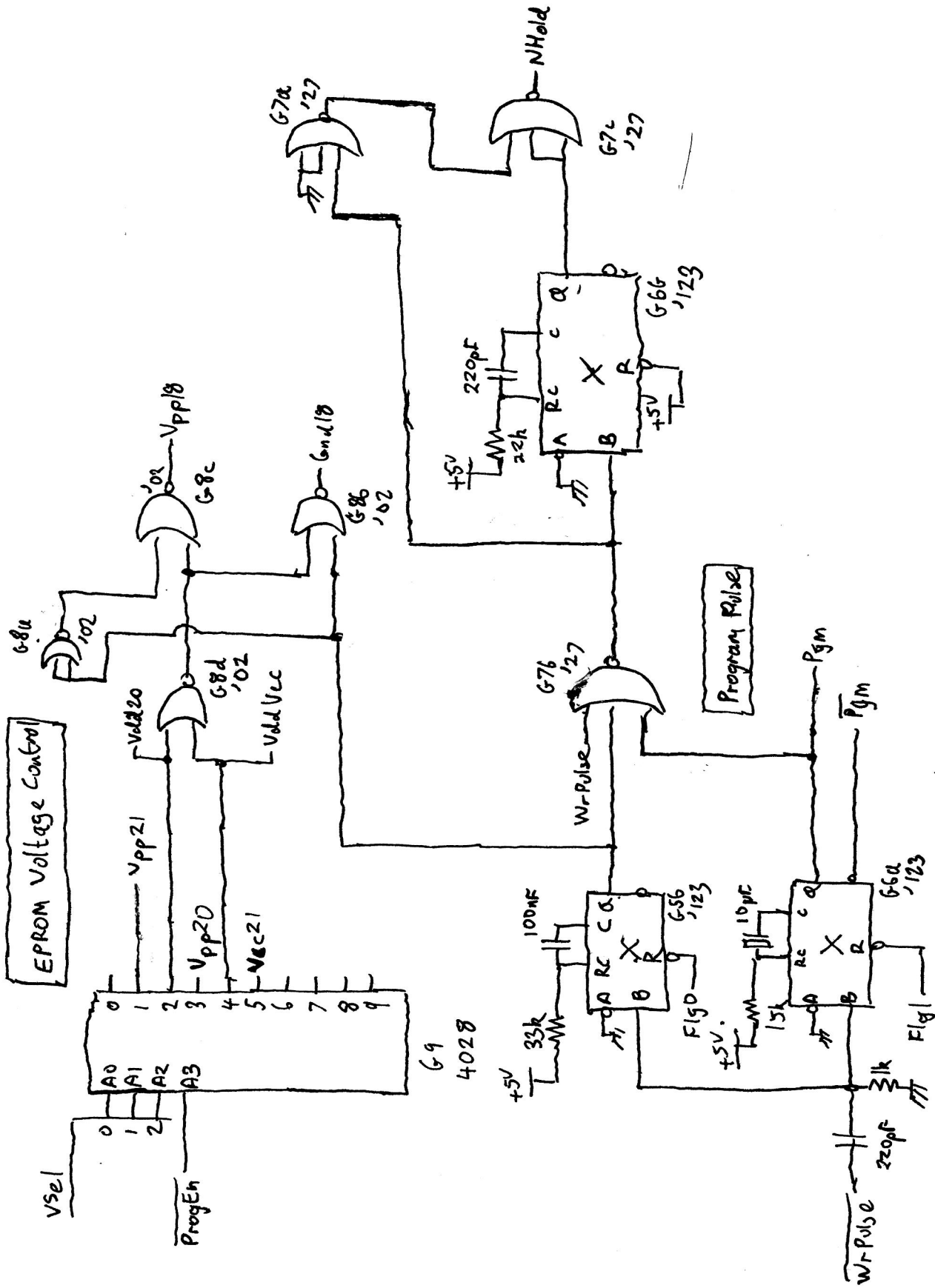
1245 E9

1365 D9

1273 F4

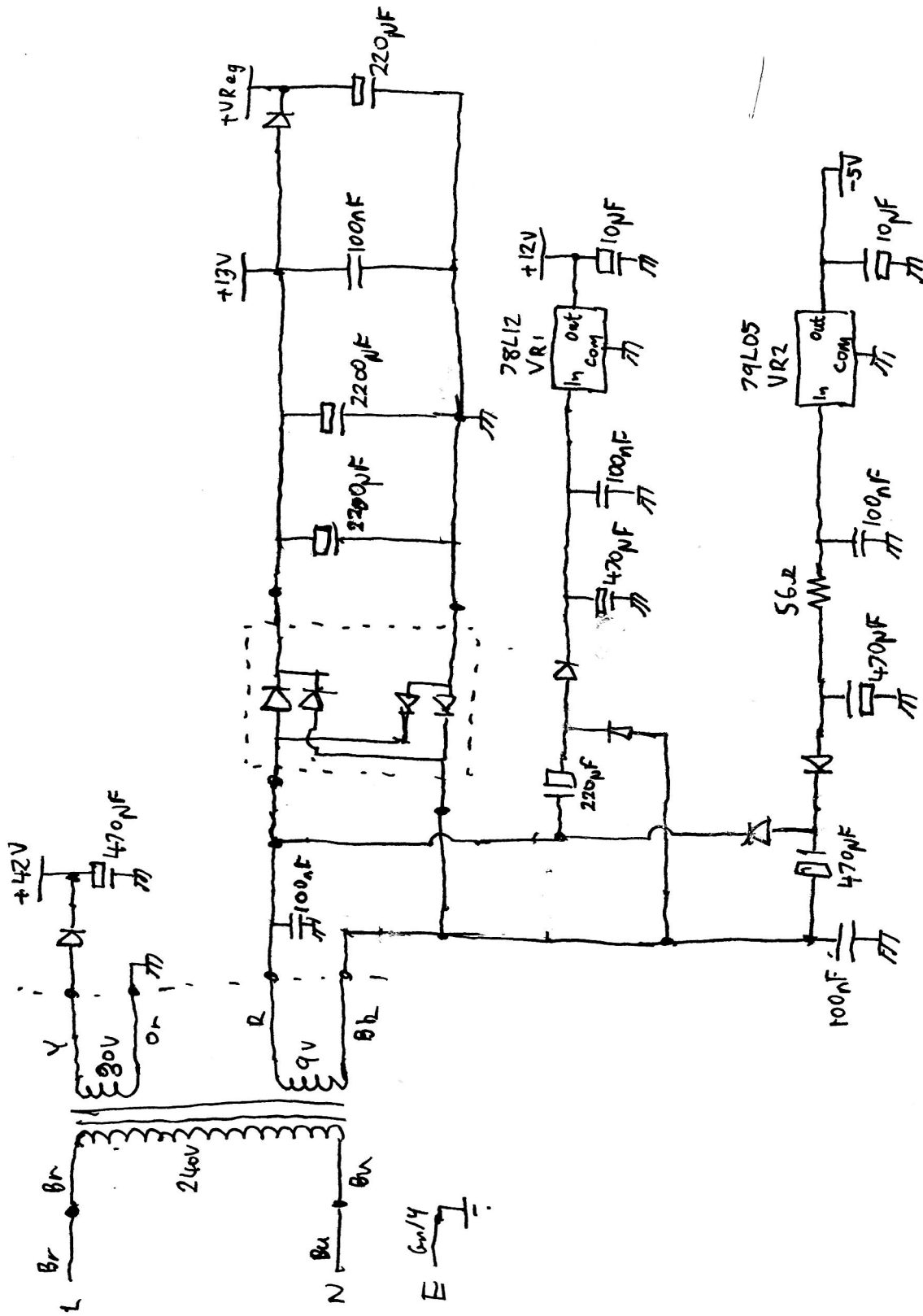


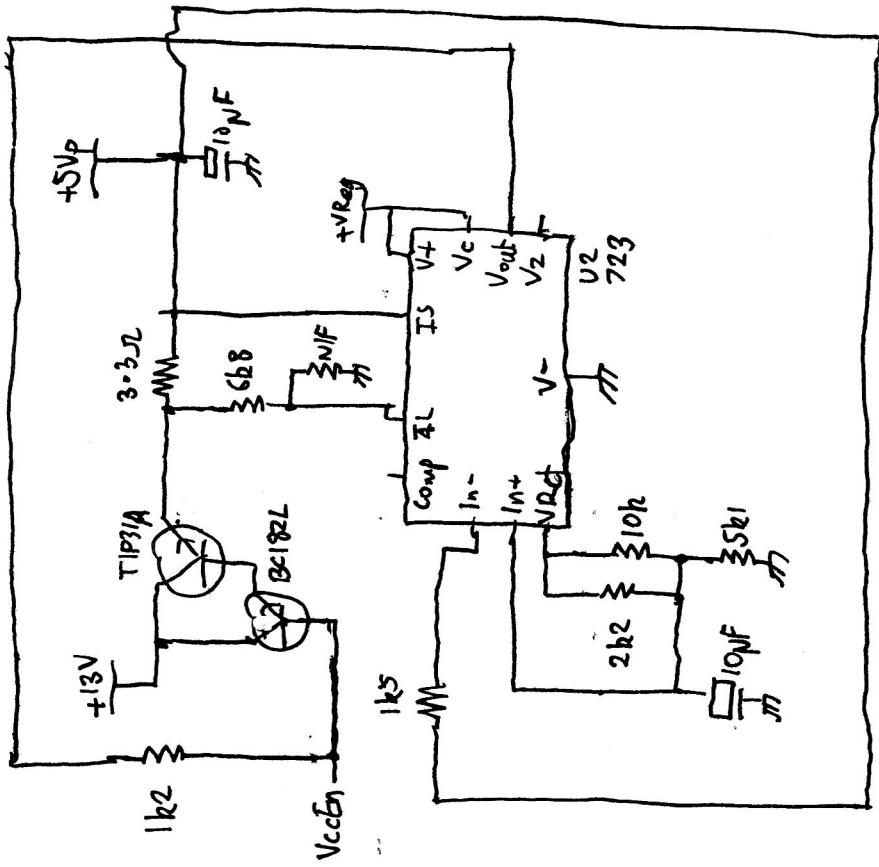
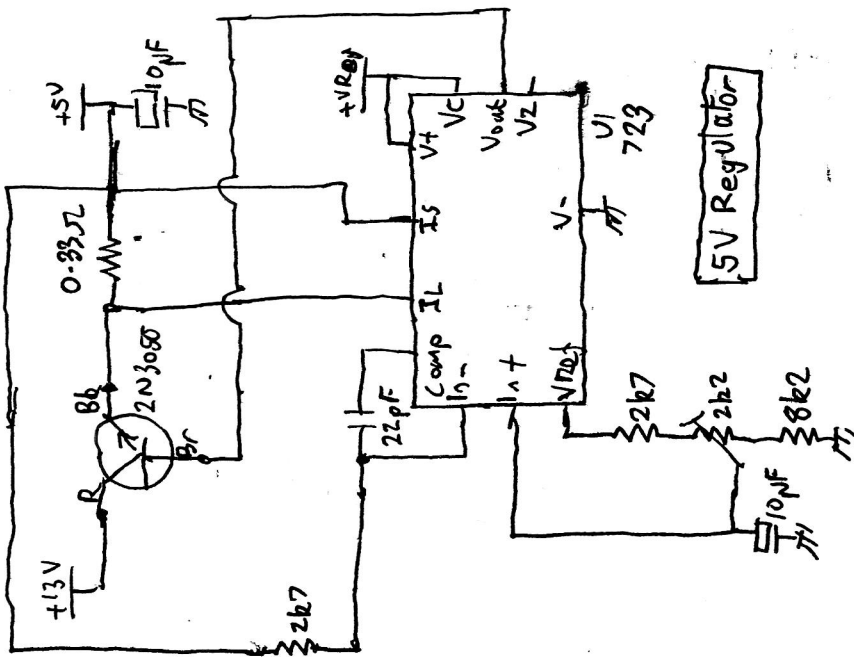




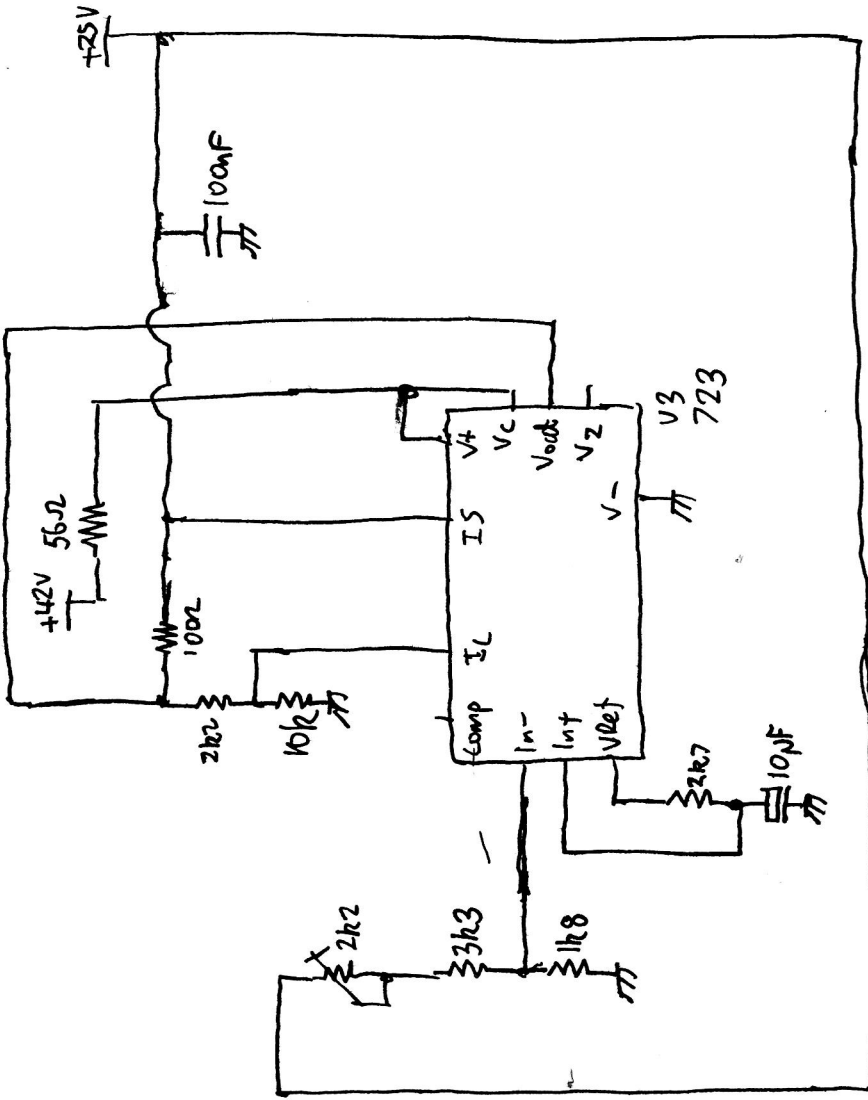
FN	PAD1 BLCK	PAD2 DEF	SIN 0	SOUT 1	PIN 2	POUT 3
TO	DISP MEM	CSR2 CSRI	C IN 4	COOT 5	EXT 6	INT 7
DMA	CLR ↑	SHIFT ↓	PAGE 8	RAM 9	PROM A	EXEC B
RST	PRINT ←	MTCH →	PROG E	VFY D	CHCK E	STOR F

EP4000 Keypad

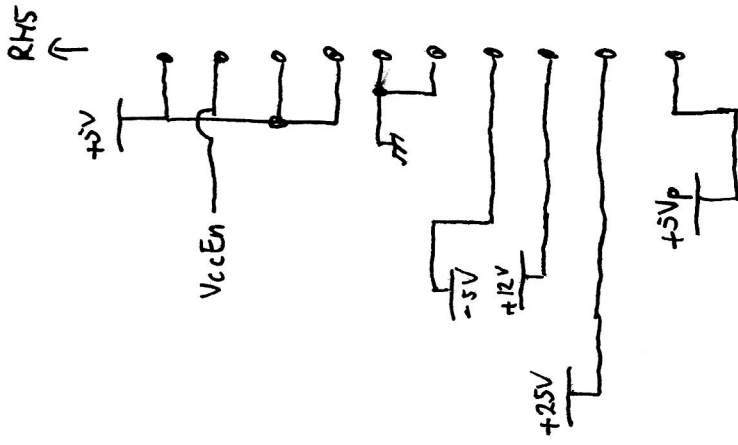




EPROM Vcc Regulator



Vpp Regulator



Output Connector