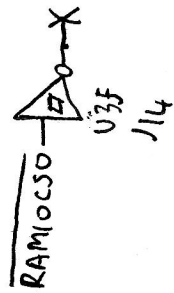
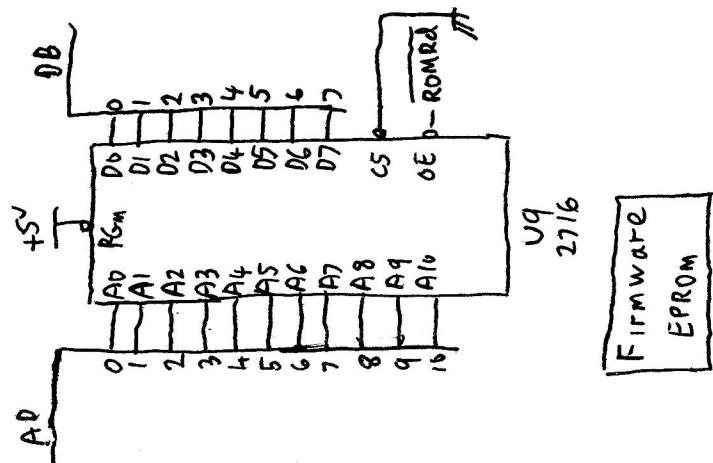
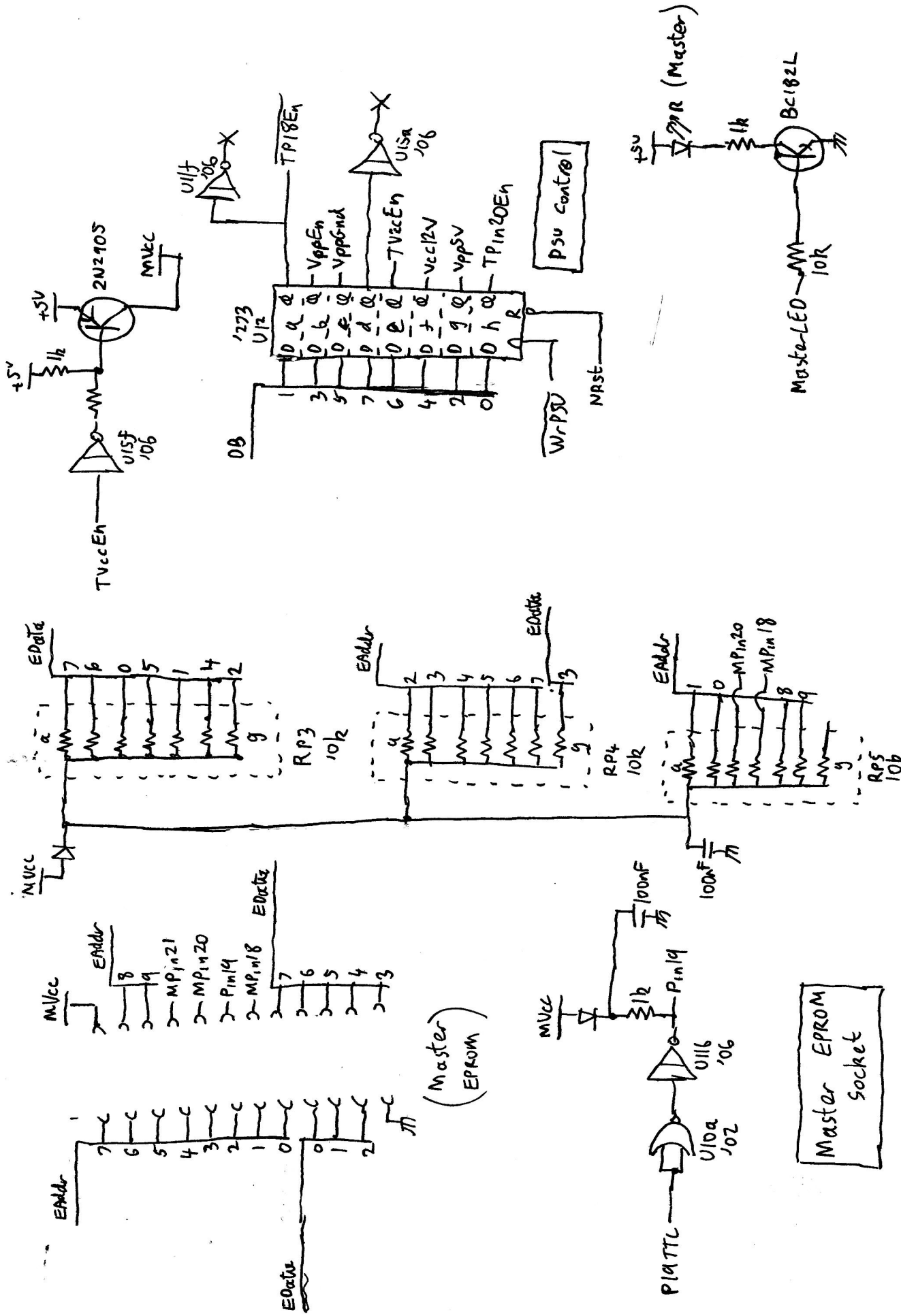


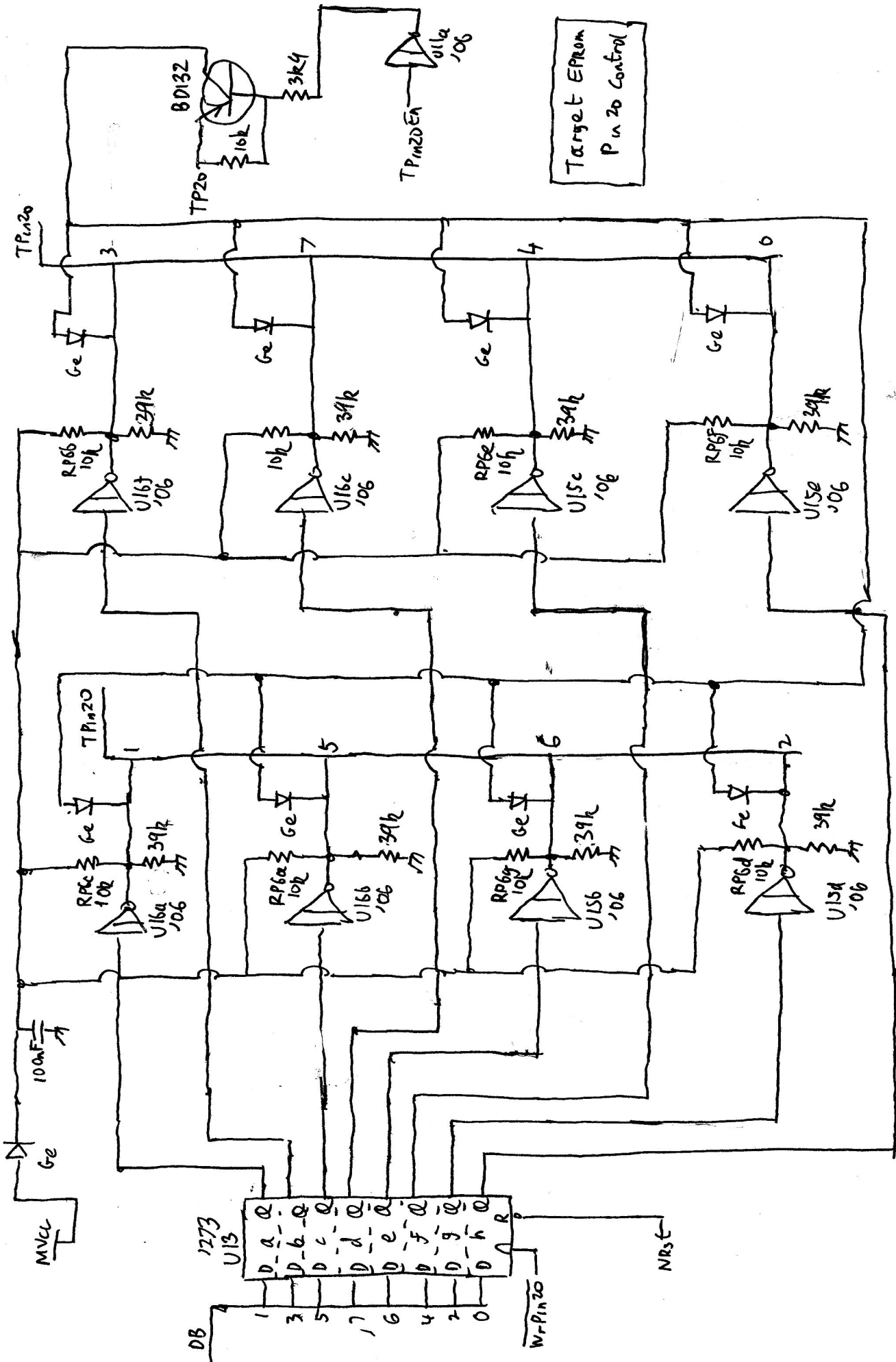
RAM / I/O

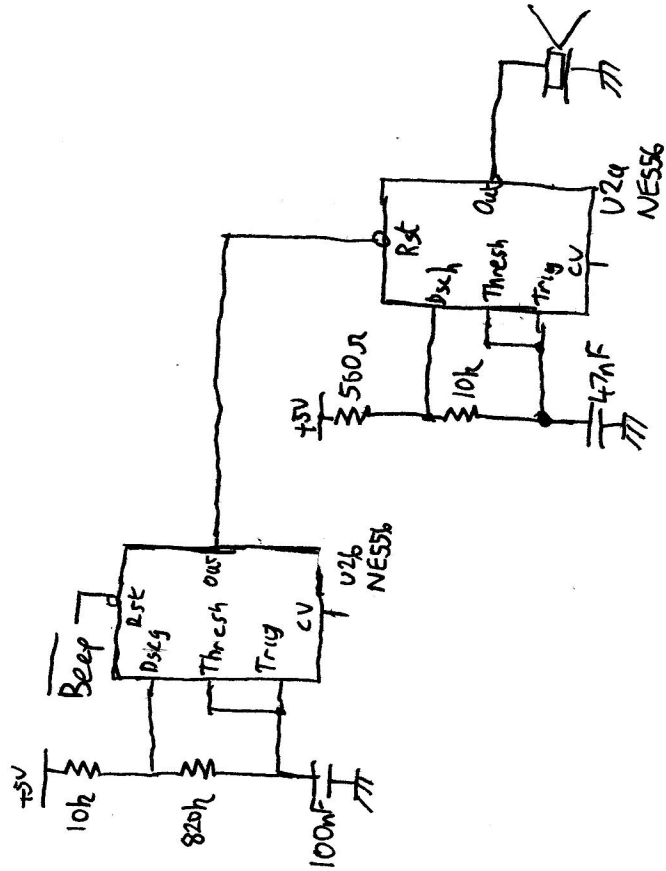
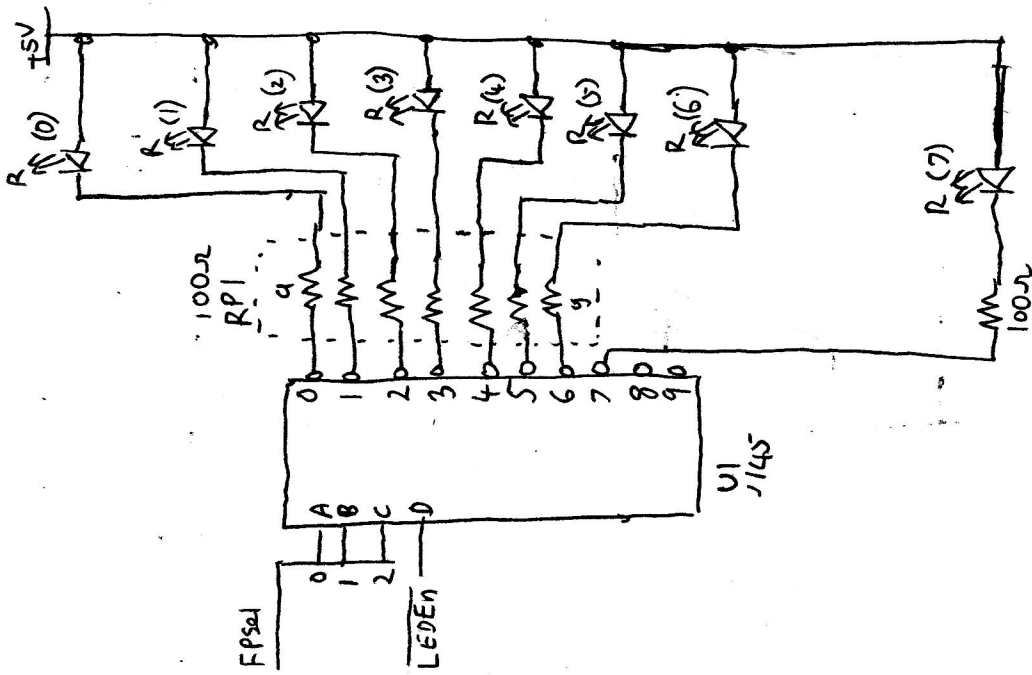


P4000 EPROM Programmer Logic PCB Sheet ②

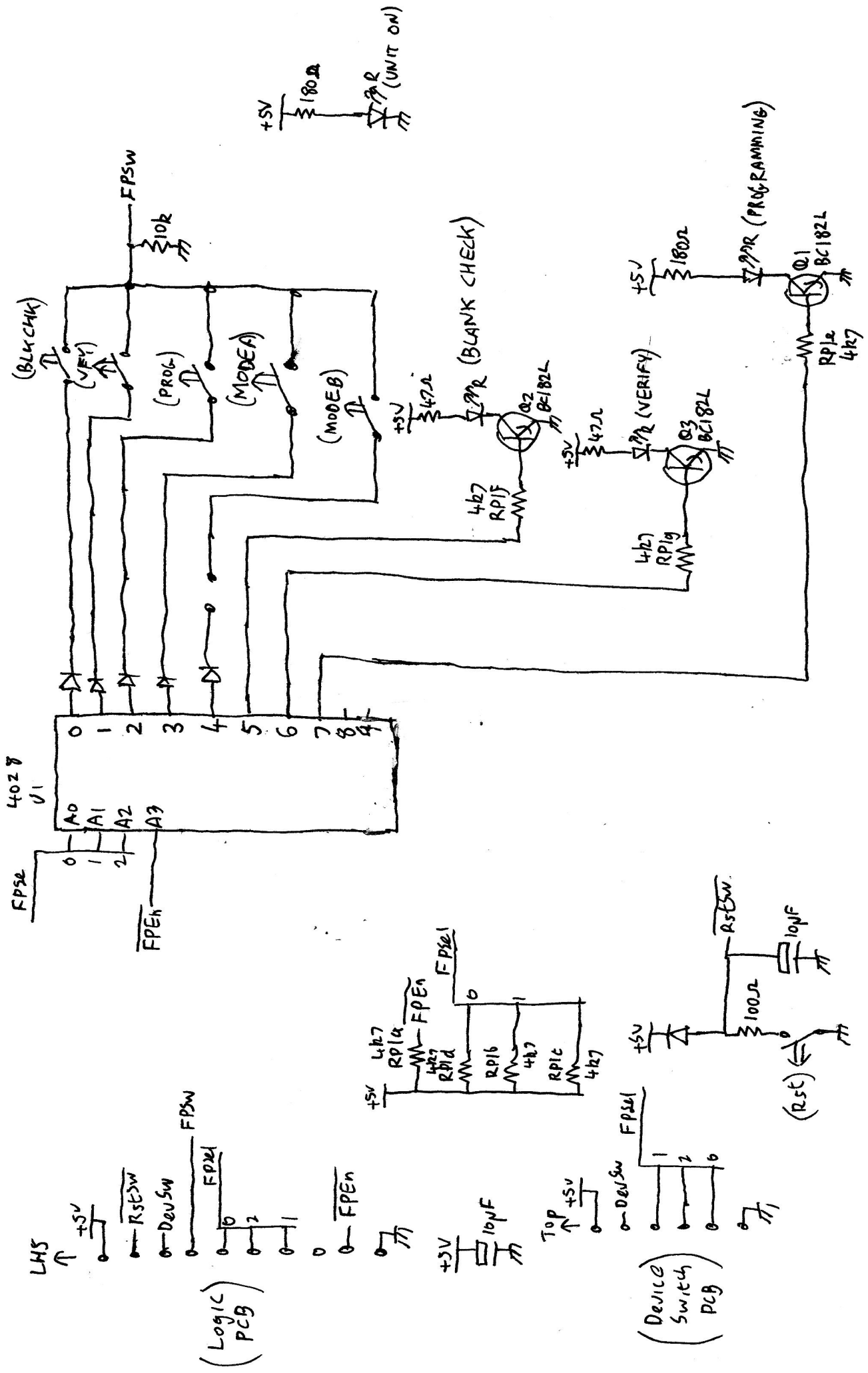


P4000 EPROM Programmer Logic PCB Sheet (3)



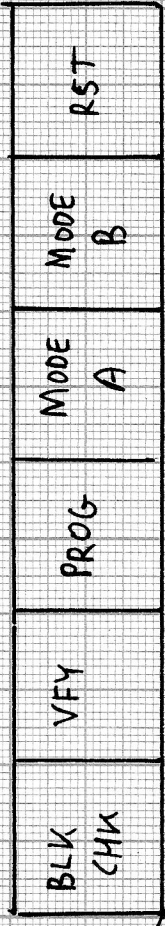


Beep

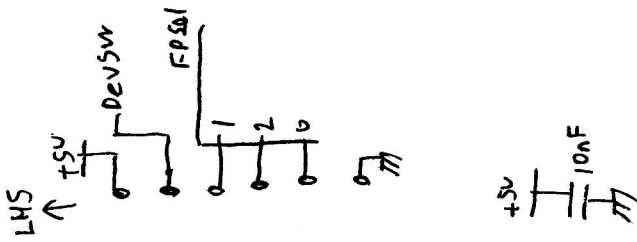
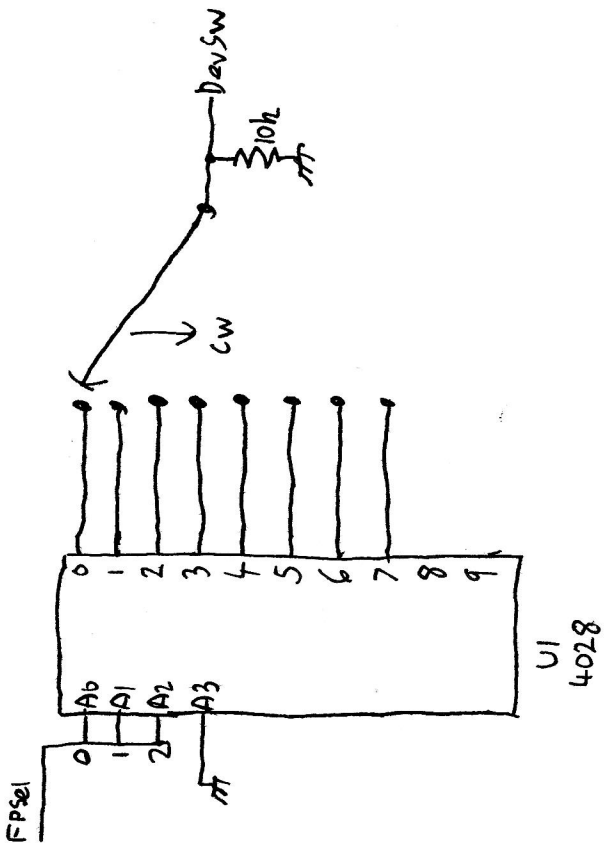


Front Panel PCB

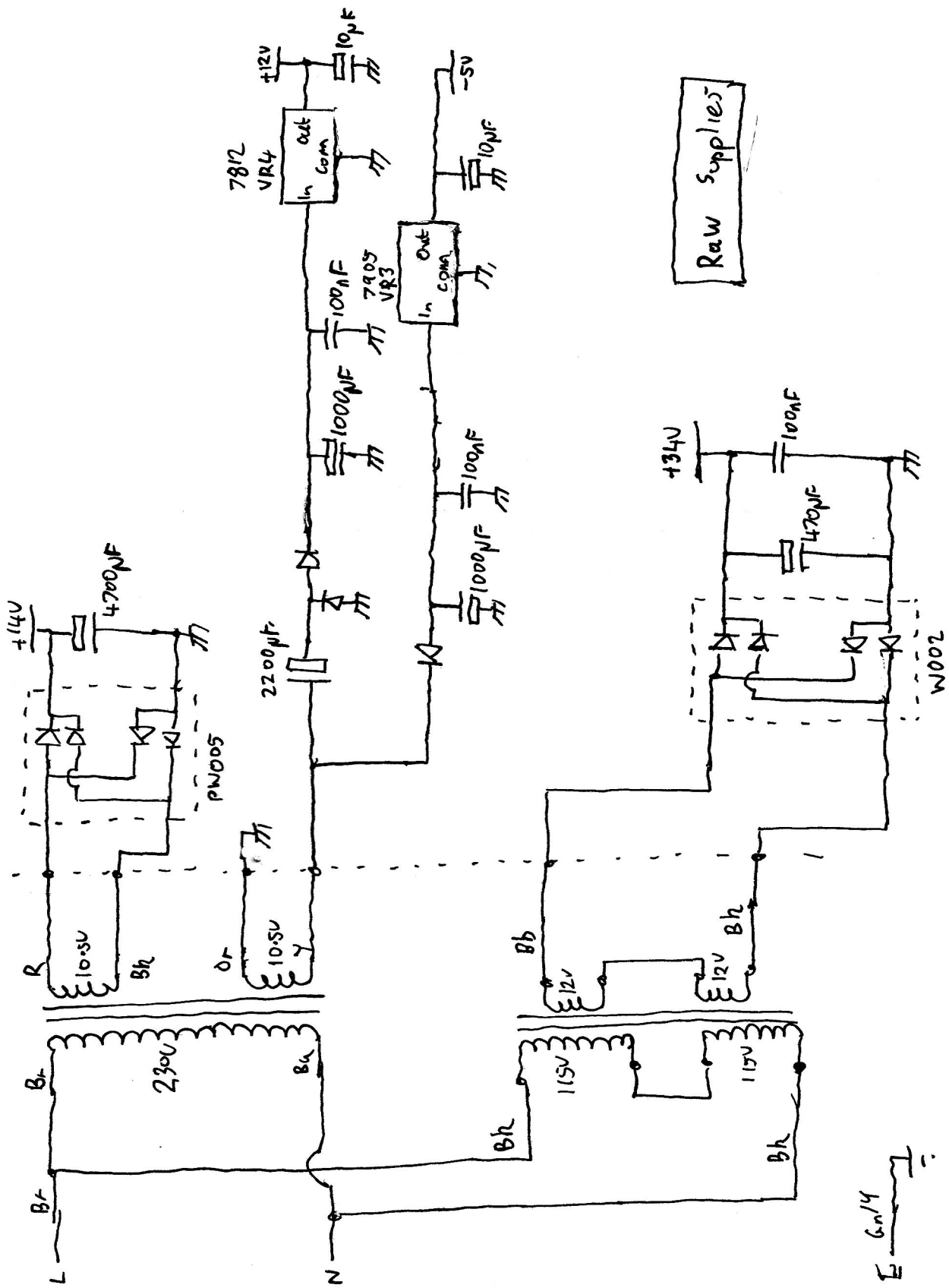
P4000 EPROM Programmer



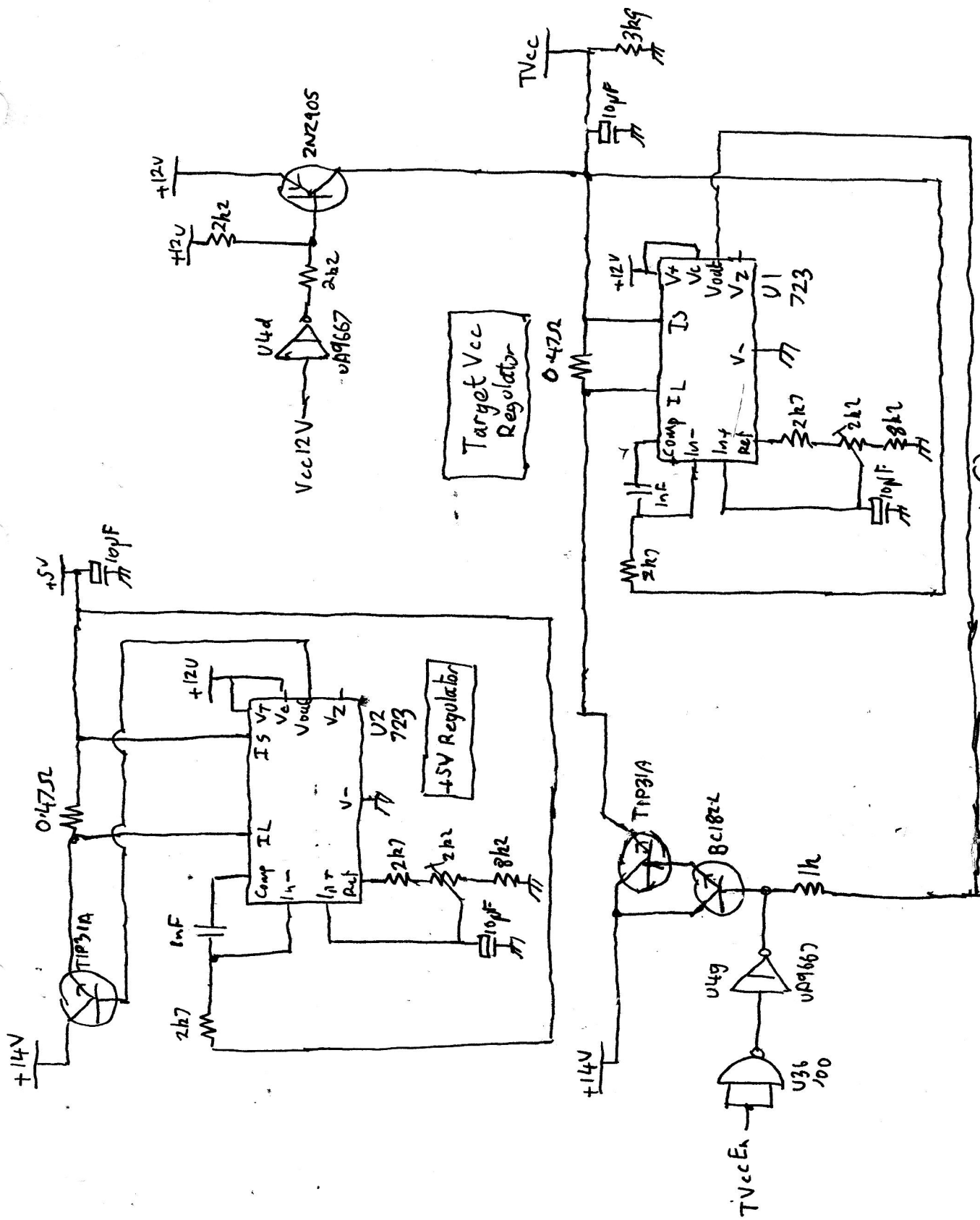
P4000 Front Panel Keypads



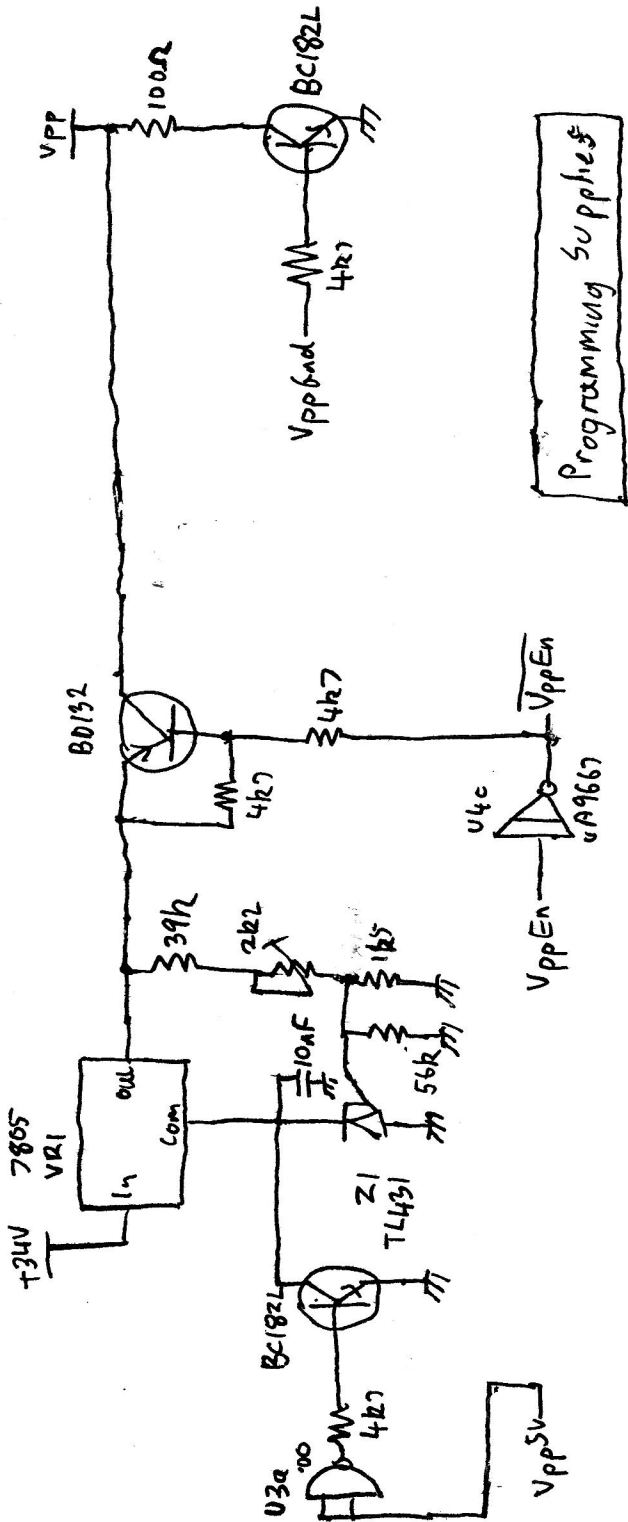
EP4000 Device Switch PCB



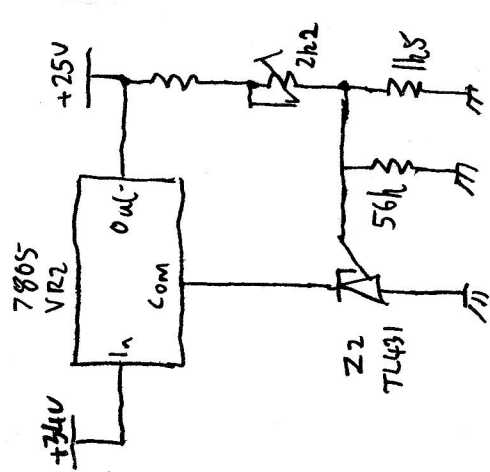
Raw Supplies



P4000 EPROM Programmer PSU PCB sheet (2)



Programming supply

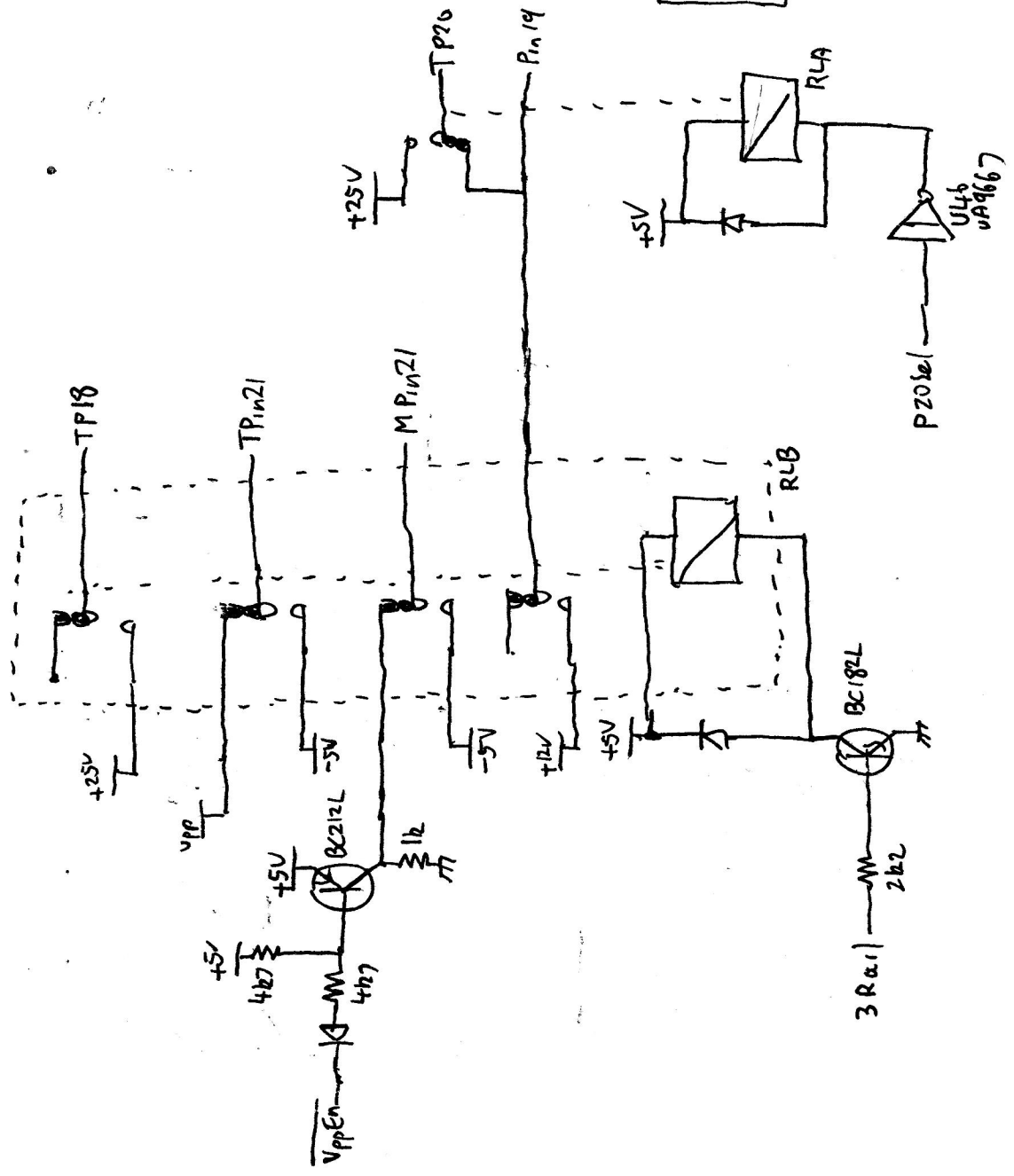


- RHS ↑
- +5V
- 3R_{a1}
- P205d1
- 71
- V_{pp5V}
- V_{ppEn}
- V_{ec12V}
- V_{ppGnd}
- T_{VecEn}
- 0

(Logic PCB)

- RHS ↑
- TPin21
- T_{Vec}
- MPin21
- P_{in19}
- TP18
- TP20

(Logic PCB)



EPROM Pin Switching