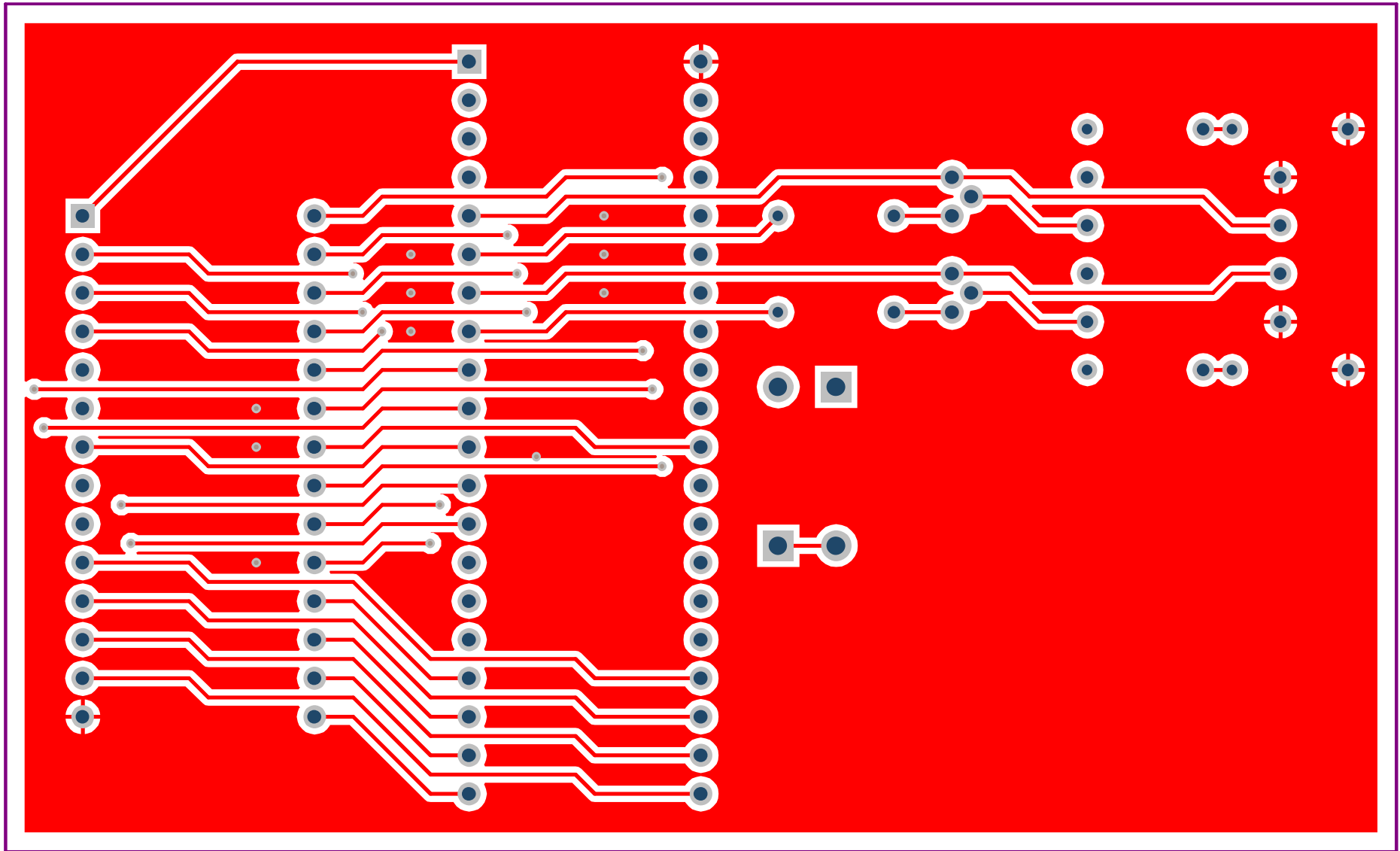


Original Schematic:  
[http://matthieu.benoit.free.fr/all03/HiLo\\_ADG-PLS100.PDF](http://matthieu.benoit.free.fr/all03/HiLo_ADG-PLS100.PDF)



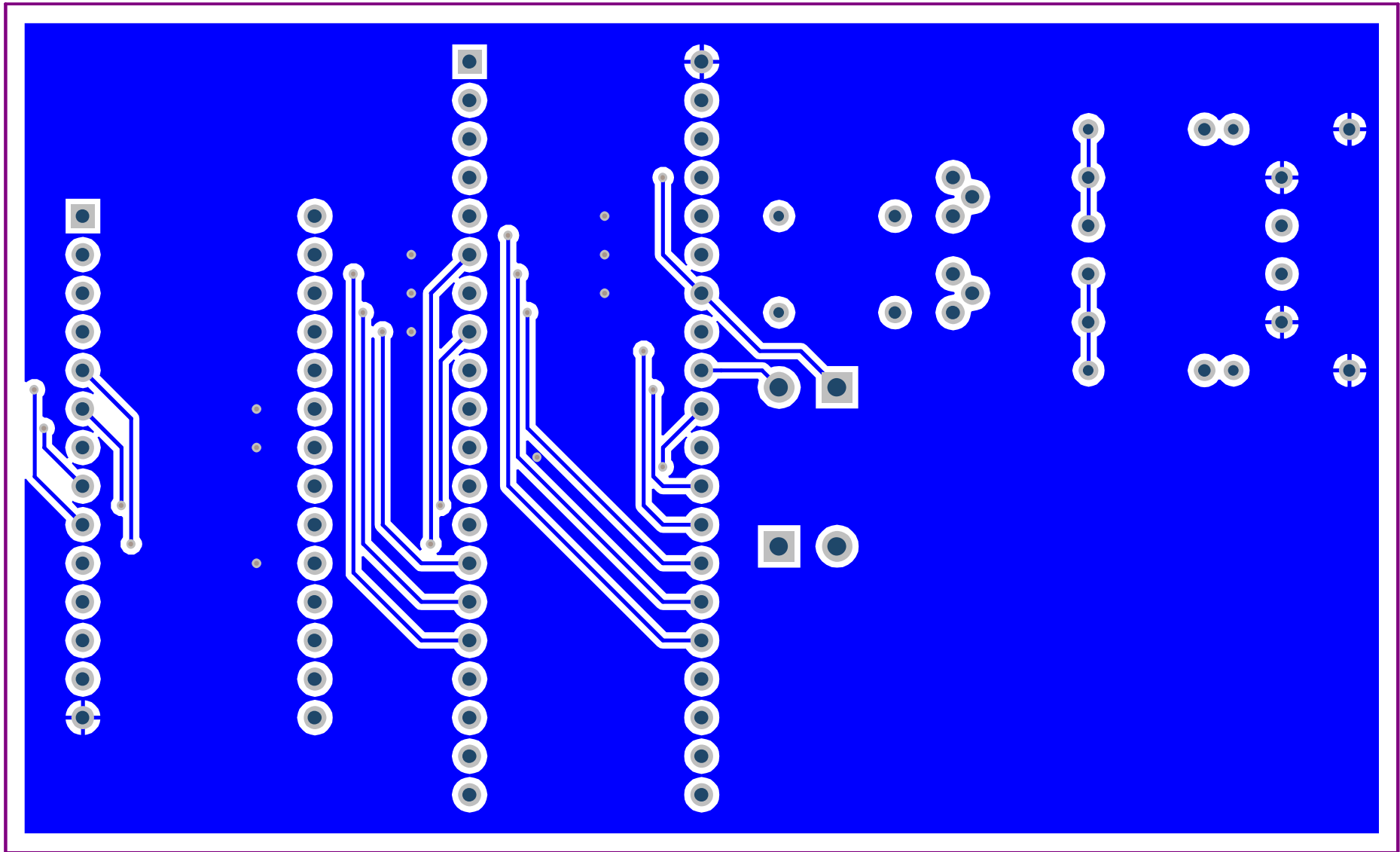
Title			ADP-PLS100		
Size	Number			Revision	
A4				1.0A	
Date:	18.02.2020	Sheet 1 of 1			
File:	P\Eigene\...Sheet1.SchDoc	Drawn By:	F. Stassen		



Top Layer

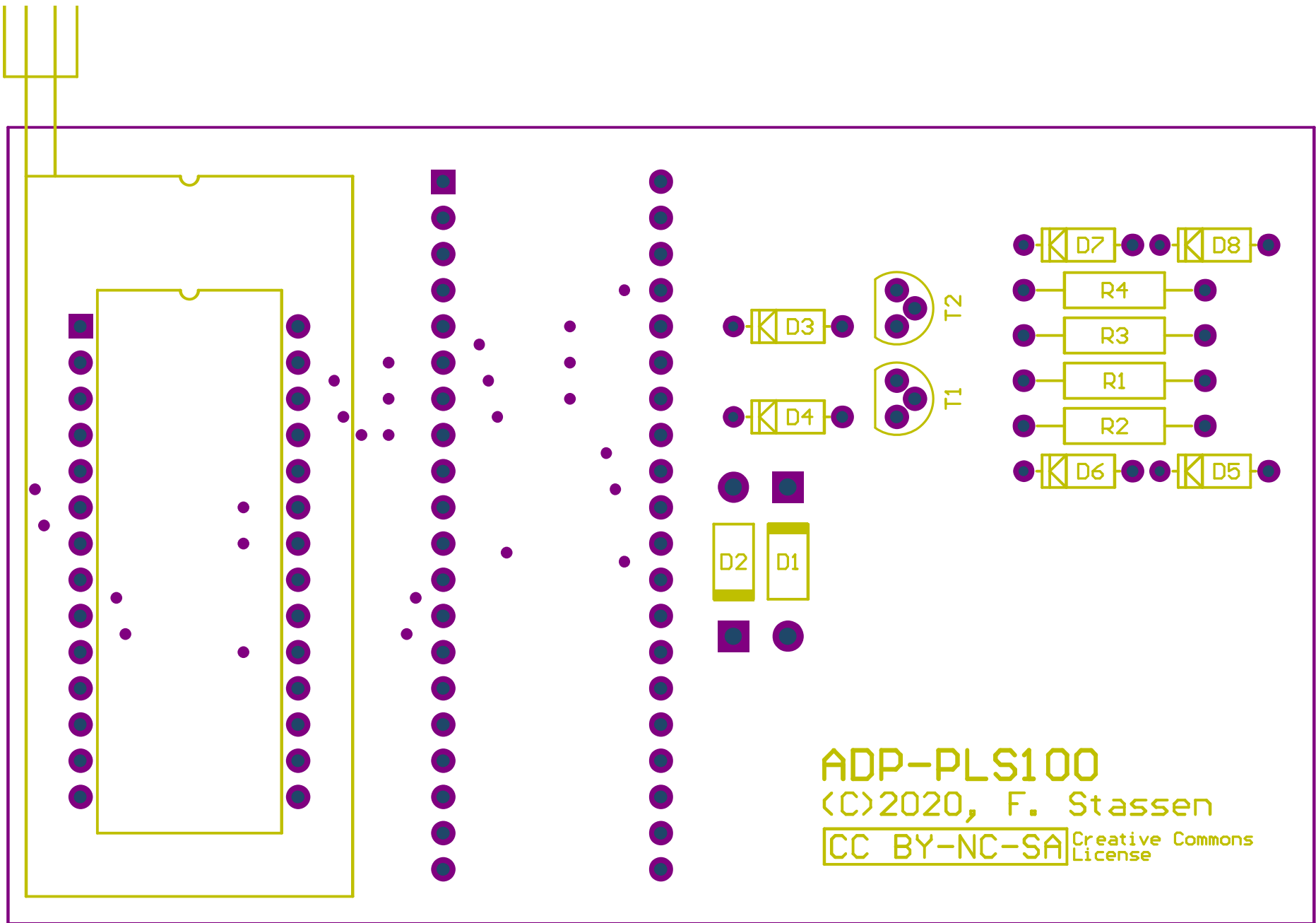
Multi-Layer

PCB Outline



Bottom Layer  
Multi-Layer

PCB Outline



Top Solder

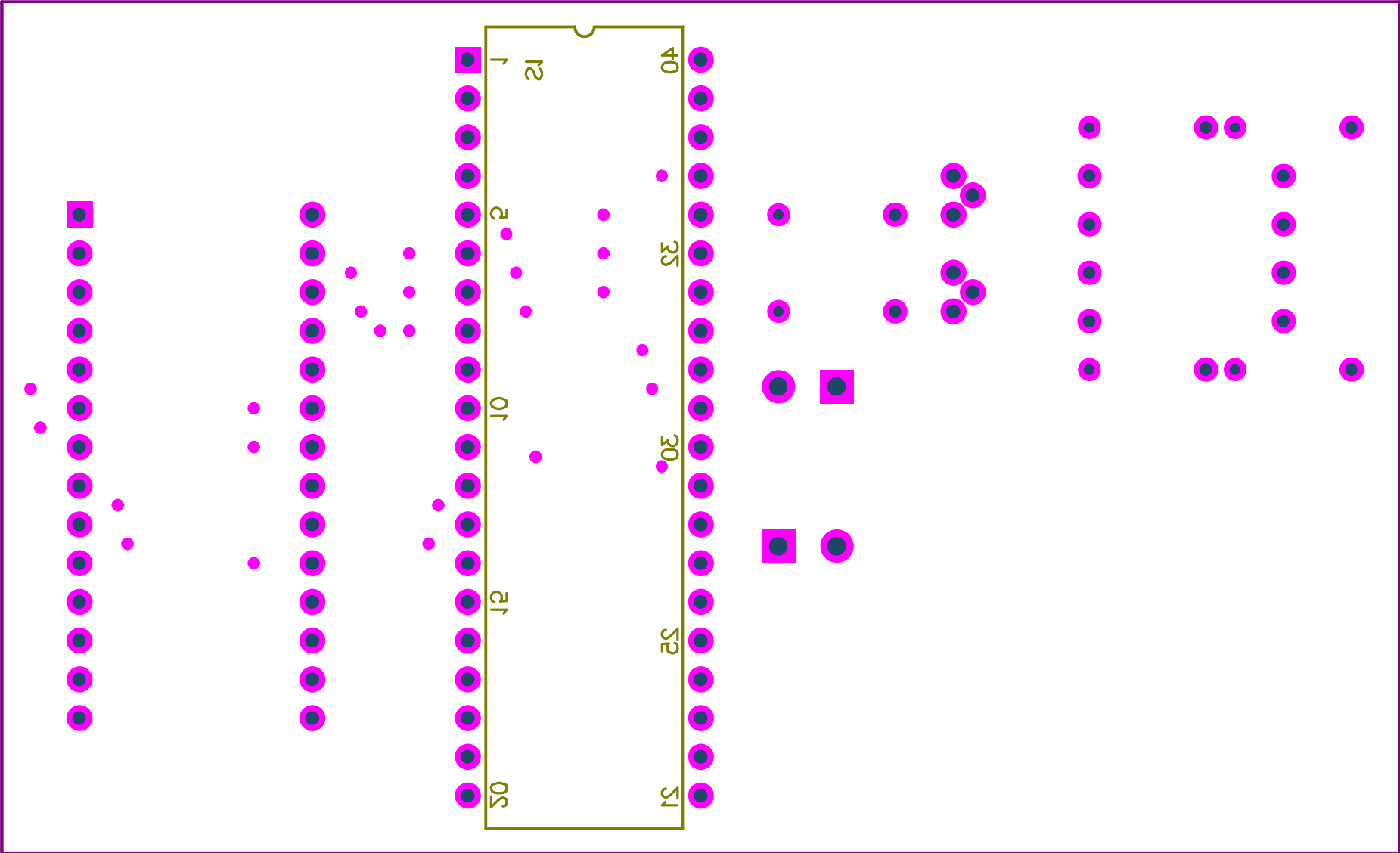
Top Overlay

PCB Outline

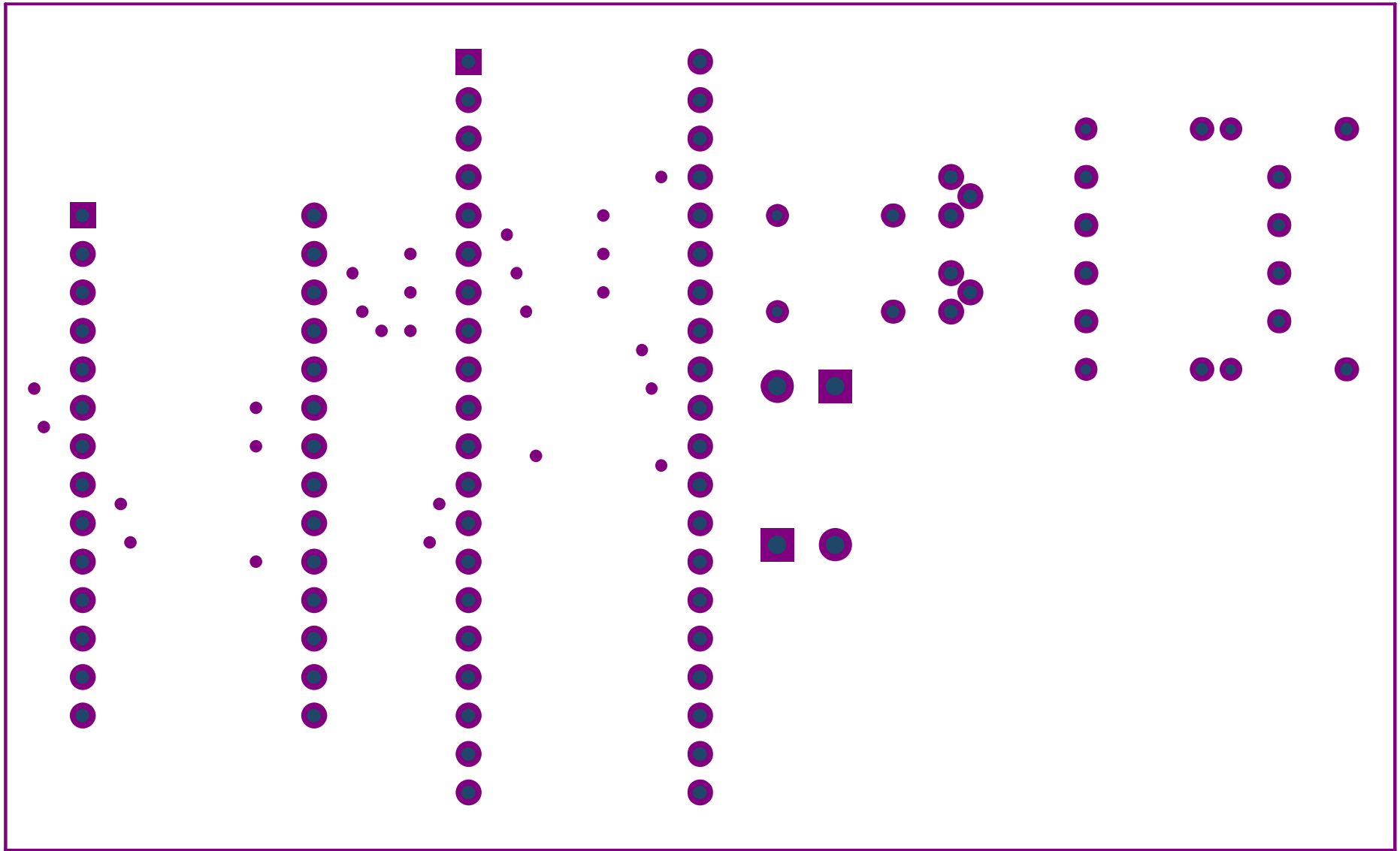
ADP-PLS100

(C)2020, F. Stassen

CC BY-NC-SA Creative Commons License

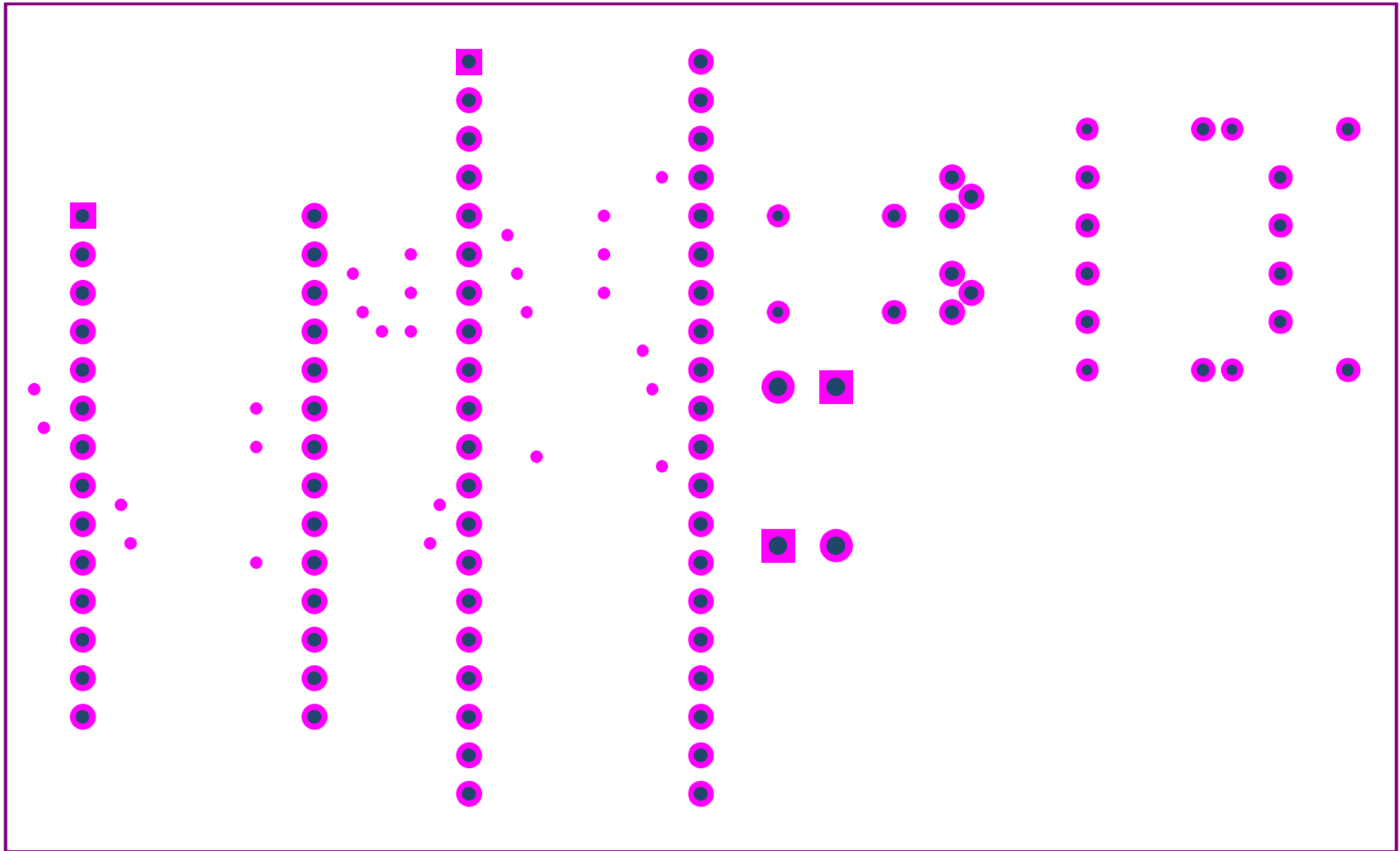


Bottom Solder Bottom Overlay PCB Outline



Top Solder

PCB Outline



Bottom Solder

PCB Outline



Keep-Out Layer

PCB Outline