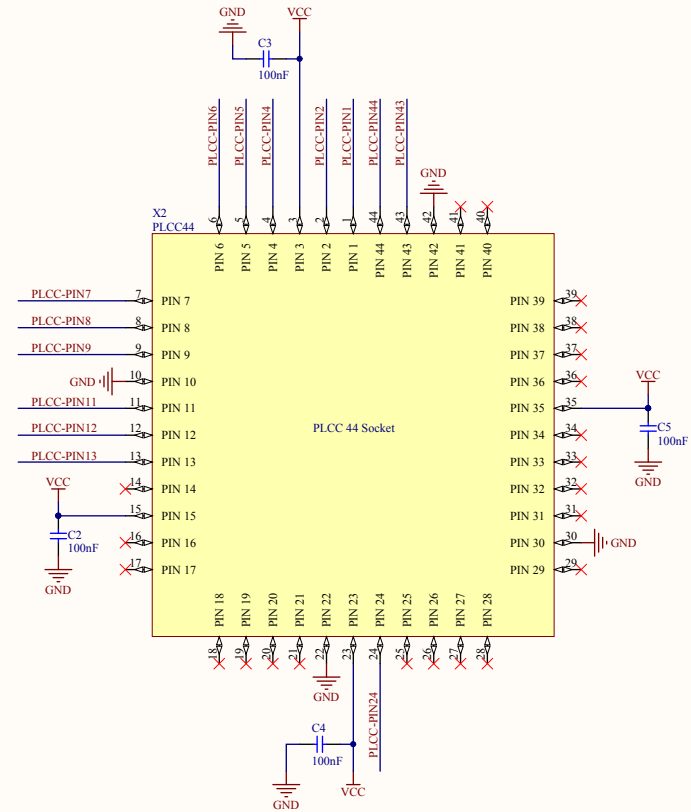


ATF1500 and ATF1500A/AL/ABV pinout table

Package ->	PLCC44	TQFP44	DIP40 Header
Signal	ATF1500 ATF1500A/AL/ABV	ATF1500A/ABV ATF1500AL	
A0	4	42	25
A1	5	43	26
A2	6	44	27
A3	7	1	28
A4	8	2	29
A5	9	3	30
A6	12	6	31
A7	13	7	32
LD	2	40	16
SDI	11	5	33
SDO	24	18	1
SCLK	43	37	14
PGM	44	38	15
VPP	1	39	21



Title		
ADP-ATF1500 for HiLo ALLxx		
Size	Number	Revision
B		
Date:	4/8/2014	Sheet of
File:	C:\HiLo\ADP-ATF1500 SchDoc	Drawn By: tinhead@eevblog