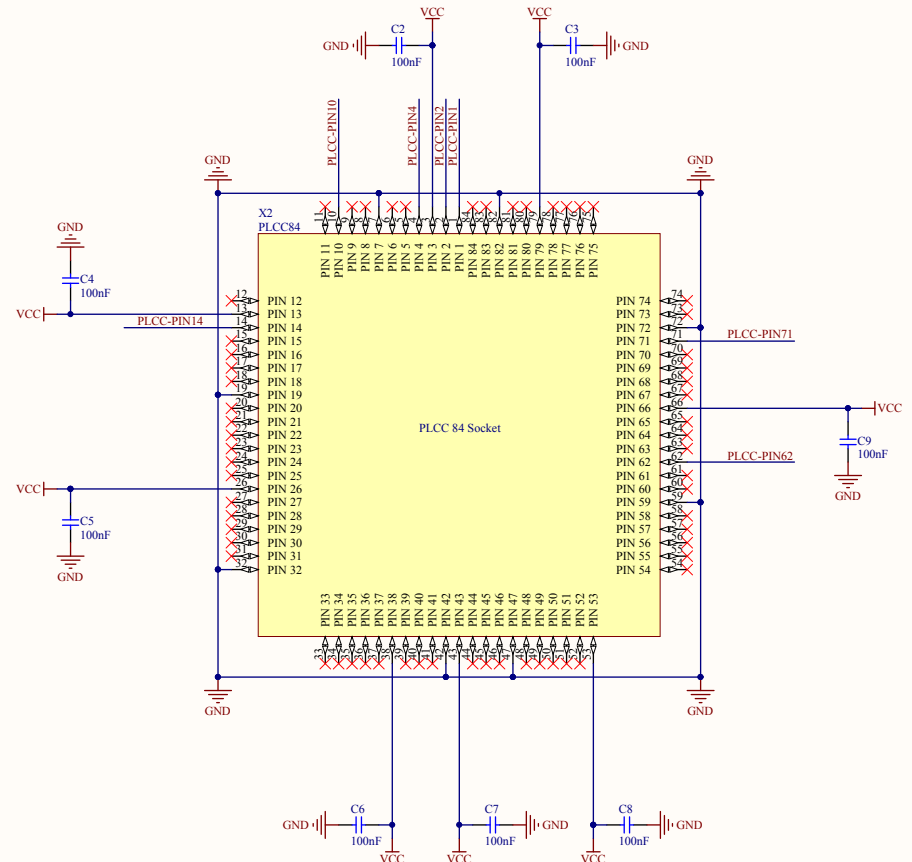


Pinout Table for :
 Philips PZ3064-/CS/NS, PZ5064-/CS/NS, PZ3128-/CS/NS, PZ5128-/CS/NS
 Xilinx XCR3064, XCR5064, XCR3064A, XCR5064C, XCR5128, XCR3128, XCR5128C, XCR3128A

PLCC84 PIN	PGM Mode signal name	PLCC68 PIN	PGM Mode signal name
1	VPP	1	VPP
2	STR	2	STR
4	VFY	4	VFY
10	P/E	9	P/E
14	SDIN	12	SDIN
62	SCLK	50	SCLK
71	SDOUT	57	SDOUT



Title		
ADP-PZ5064 for HiLo ALLxx		
Size	Number	Revision
B		
Date:	4/12/2014	Sheet of
File:	C:\HiLo\ADP-PZ5064 SchDoc	Drawn By: tinhead@eevblog