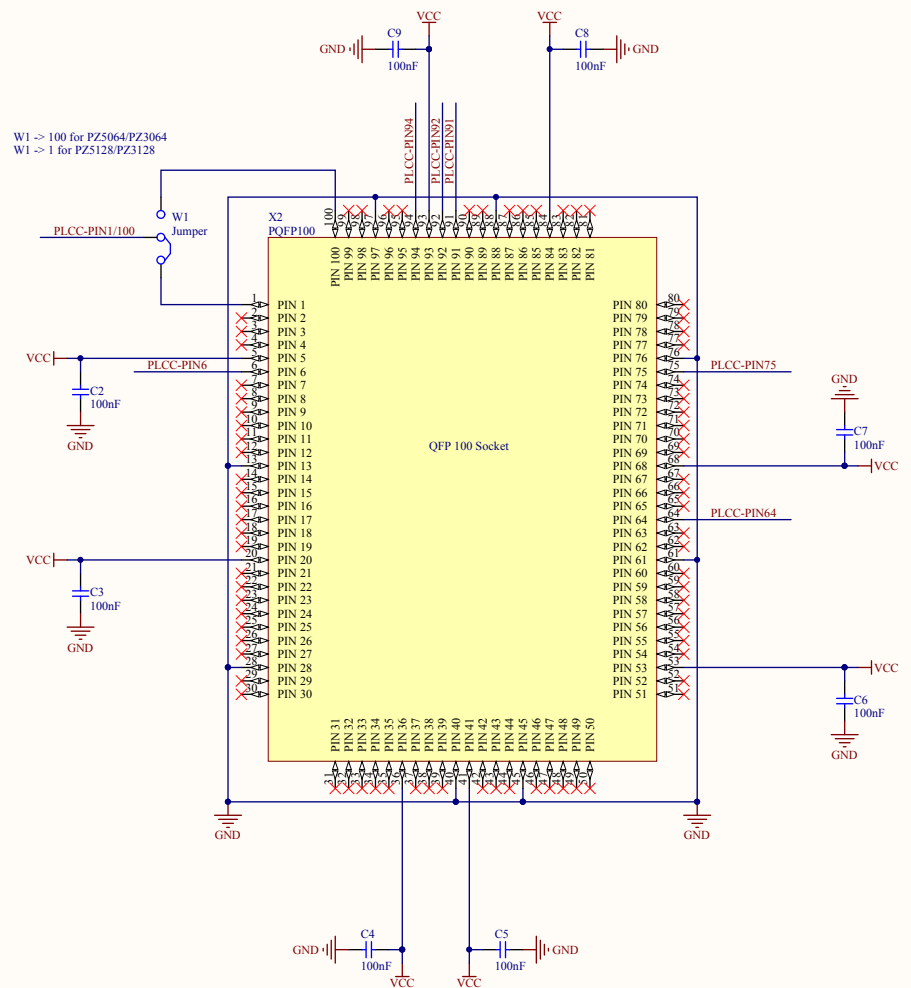


Pinout Table for :
 Philips PZ3064-/CS/NS, PZ5064-/CS/NS, PZ3128-/CS/NS, PZ5128-/CS/NS
 Xilinx XCR3064, XCR5064, XCR3064A, XCR5064C, XCR5128, XCR3128, XCR5128C, XCR3128A

PQ100 PIN	VQ100 PIN	TQ100 PIN	TQ128 PIN	PQ160 PIN	PGM Mode signal name
91	89	89	116	141	VPP
92	90	90	117	143	STR
94	92	92	119	144	VEFY
1/100	98	99	127	152	P/E
6	4	4	8	9	SDIN
64	62	62	82	99	SCLK
75	73	73	95	112	SDOUT



W1 -> 100 for PZ5064/PZ3064
 W1 -> 1 for PZ5128/PZ3128

Title		
ADP-PZ5128 for HiLo ALLxx		
Size	Number	Revision
B		
Date:	4/12/2014	Sheet of
File:	C:\HiLo\ADP-PZ5128 SchDoc	Drawn By: tinhead@eevblog