

A

B

C

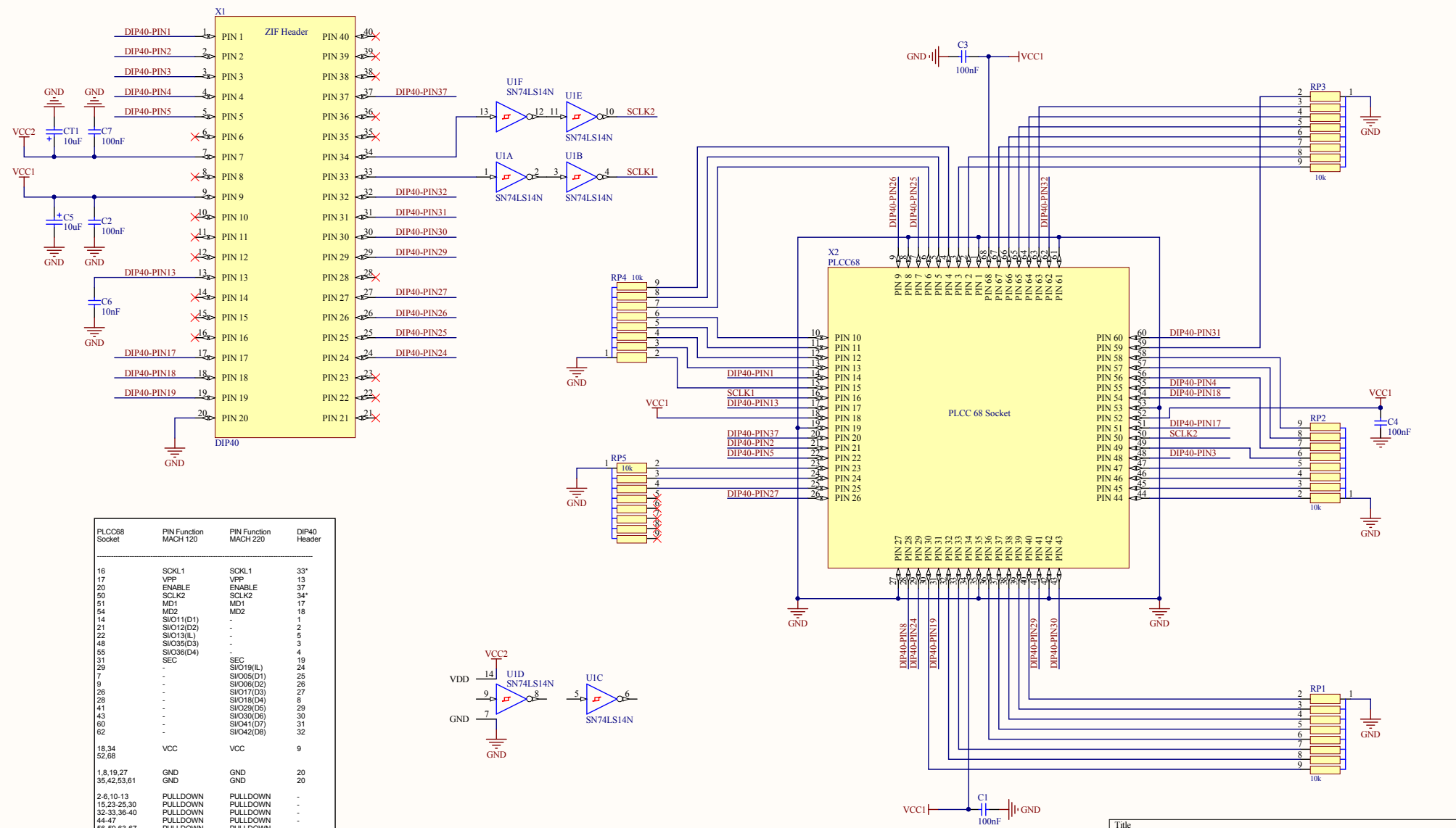
D

A

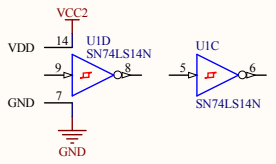
B

C

D



PLCC68 Socket	PIN Function MACH 120	PIN Function MACH 220	DIP40 Header
16	SCLK1	SCLK1	33*
17	VPP	VPP	13
20	ENABLE	ENABLE	37
50	SCLK2	SCLK2	34*
51	MD1	MD1	17
54	MD2	MD2	18
14	SIO11(D1)	-	1
21	SIO12(D2)	-	2
22	SIO13(IL)	-	5
48	SIO35(D3)	-	3
55	SIO36(D4)	-	4
31	SEC	SEC	19
29	-	SIO19(IL)	24
7	-	SIO06(D1)	25
9	-	SIO06(D2)	26
26	-	SIO17(D3)	27
28	-	SIO18(D4)	6
41	-	SIO29(D5)	29
43	-	SIO30(D6)	30
60	-	SIO41(D7)	31
62	-	SIO42(D8)	32
18,34	VCC	VCC	9
52,68	-	-	-
1,8,19,27	GND	GND	20
35,42,53,61	GND	GND	20
2-8,10-13	PULLDOWN	PULLDOWN	-
15,23-25,30	PULLDOWN	PULLDOWN	-
32-35,38-40	PULLDOWN	PULLDOWN	-
44-47	PULLDOWN	PULLDOWN	-
56-59,63-67	PULLDOWN	PULLDOWN	-



Title			ADP-MACH2 for HiLo ALLxx		
Size	Number		Revision		
B					
Date:	10/4/2014		Sheet of		
File:	C:\HiLo\ADP-MACH2.SchDoc		Drawn By:		tinhead@eevblog