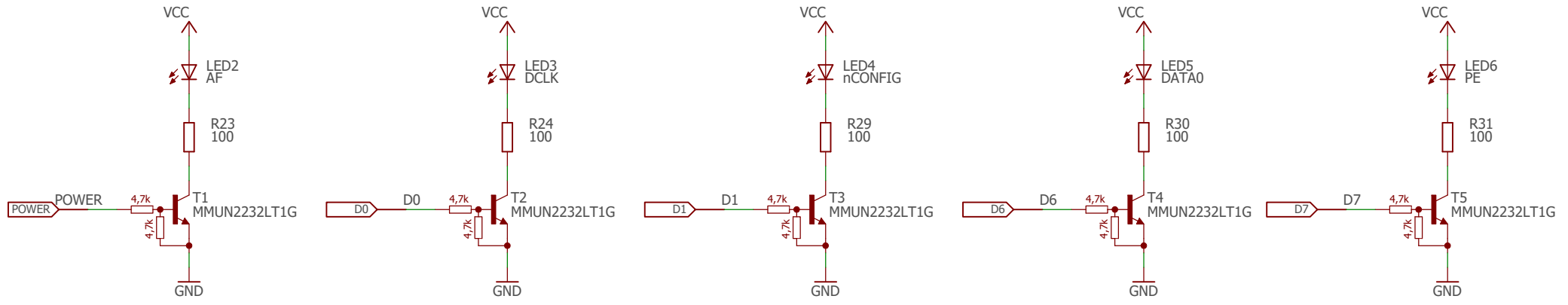
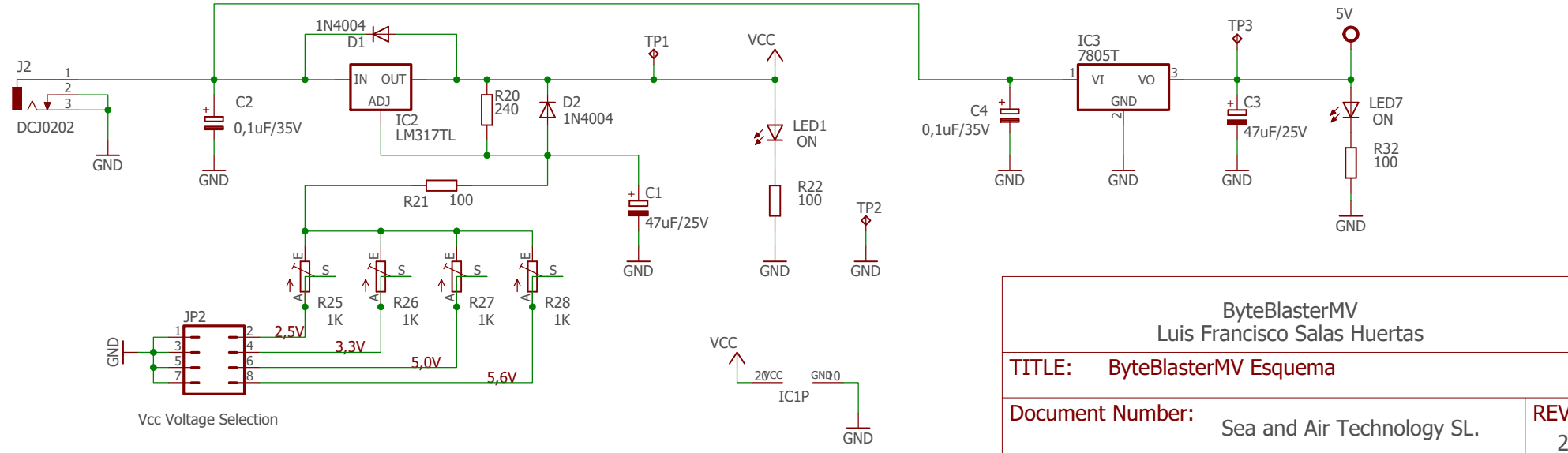


Pin JP1-x	PS Mode		JTAG Mode	
	Signal Name	Description	Signal Name	Description
1	DCLK	Clock Signal	TCK	Clock Signal
2	GND	Signal Ground	GND	Signal Ground
3	CONF_DONE	Configuration Control	TDO	Data from Device
4	VCC	Power Supply	VCC	Power Supply
5	nCONFIG	Configuration Control	TMS	JTAG state machine control
6	-	No connected	-	No connected
7	nSTATUS	Configuration Status	-	No connected
8	-	No connected	-	No connected
9	DATA0	Data to Device	TDI	Data to Device
10	GND	Signal Ground	GND	Signal Ground

Pin	PS Mode	JTAG Mode	Line Name
2	DCLK	TCK	D0
3	nCONFIG	TMS	D1
8	DATA0	TDI	D6
11	CONF_DONE	TDO	CD_TDO
13	nSTATUS	-	mSTATUS
15	VCC	VCC	VCC_IN
18 a 25	GND	GND	GND



ByteBlasterMV VCC Pin Voltage Requirements	
Family	ByteBlasterMV VCC Voltage Required
MAX 7000S	5.0 V
MAX 7000AE, MAX 7000A, MAX II	3.3 V
MAX 7000B	2.5 V
Stratix II, Stratix GX, Stratix	As specified by VccSEL
Cyclone II, Cyclone, APEX II, APEX 20K, Mercury	As specified by VccIO
FLEX 10K, FLEX 8000, FLEX 6000	5.0 V
FLEX 10KE	2.5 V
FLEX 10KA, FLEX 6000A	3.3 V
EPC2	5.0 V or 3.3 V
EPC4, EPC8, EPC16	3.3 V



ByteBlasterMV
Luis Francisco Salas Huertas

TITLE: ByteBlasterMV Esquema

Document Number: Sea and Air Technology SL. **REV:** 2

Date: 21/04/2021 23:21 **Sheet:** 1/1