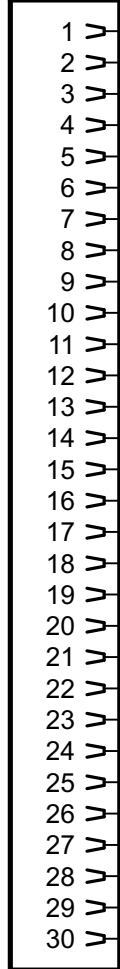
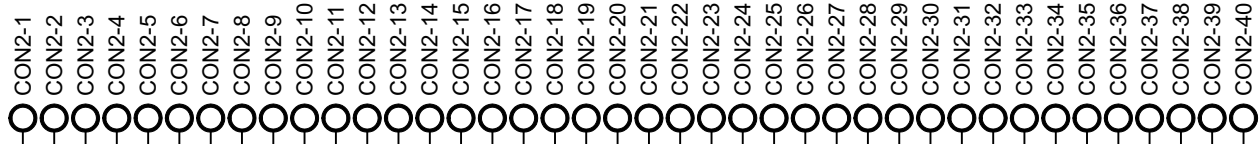


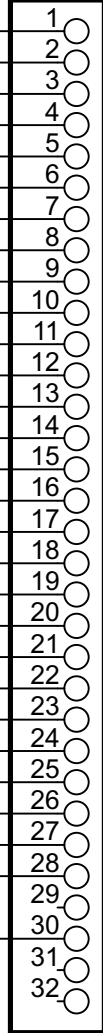
CON1



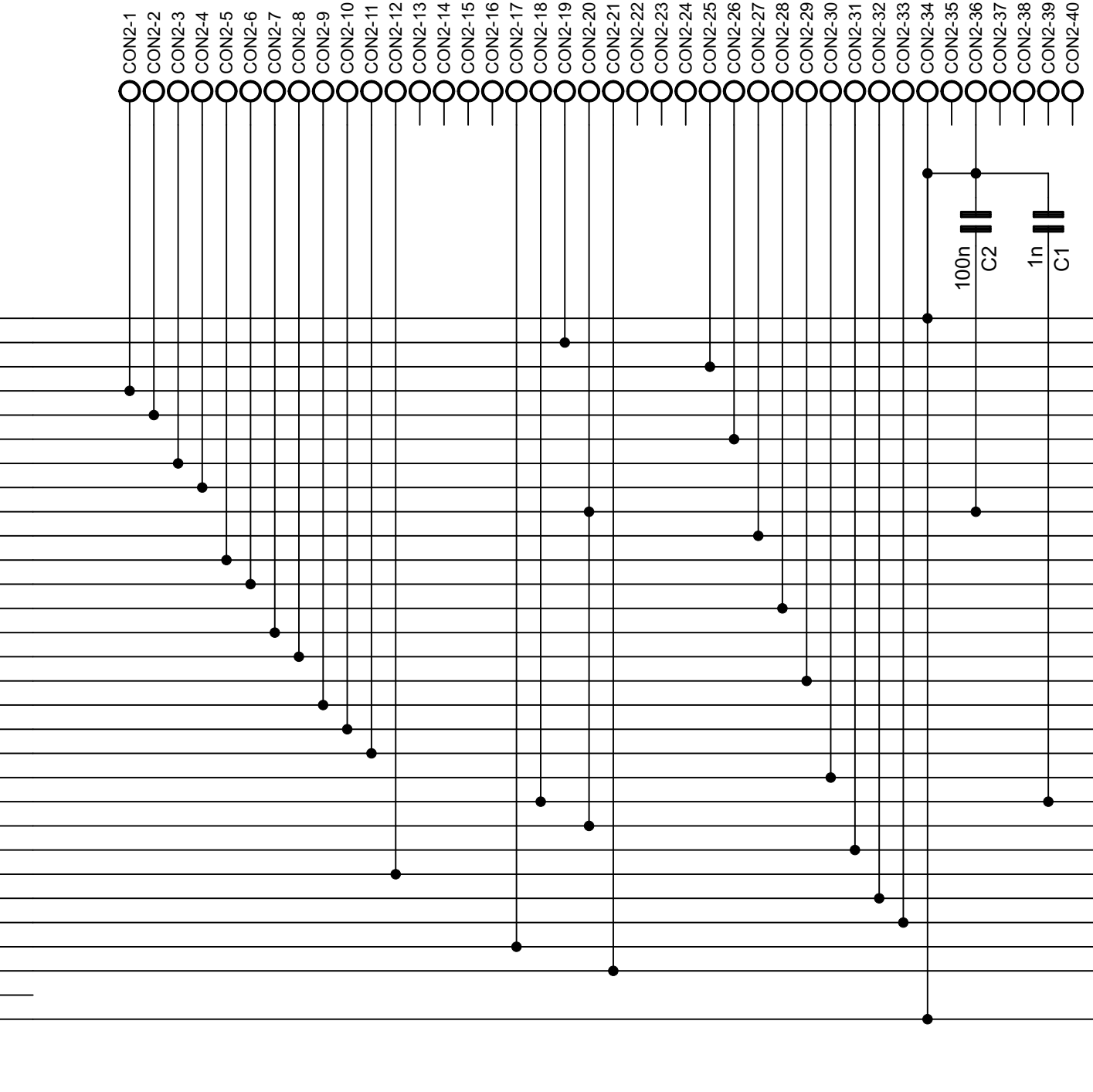
SIMM

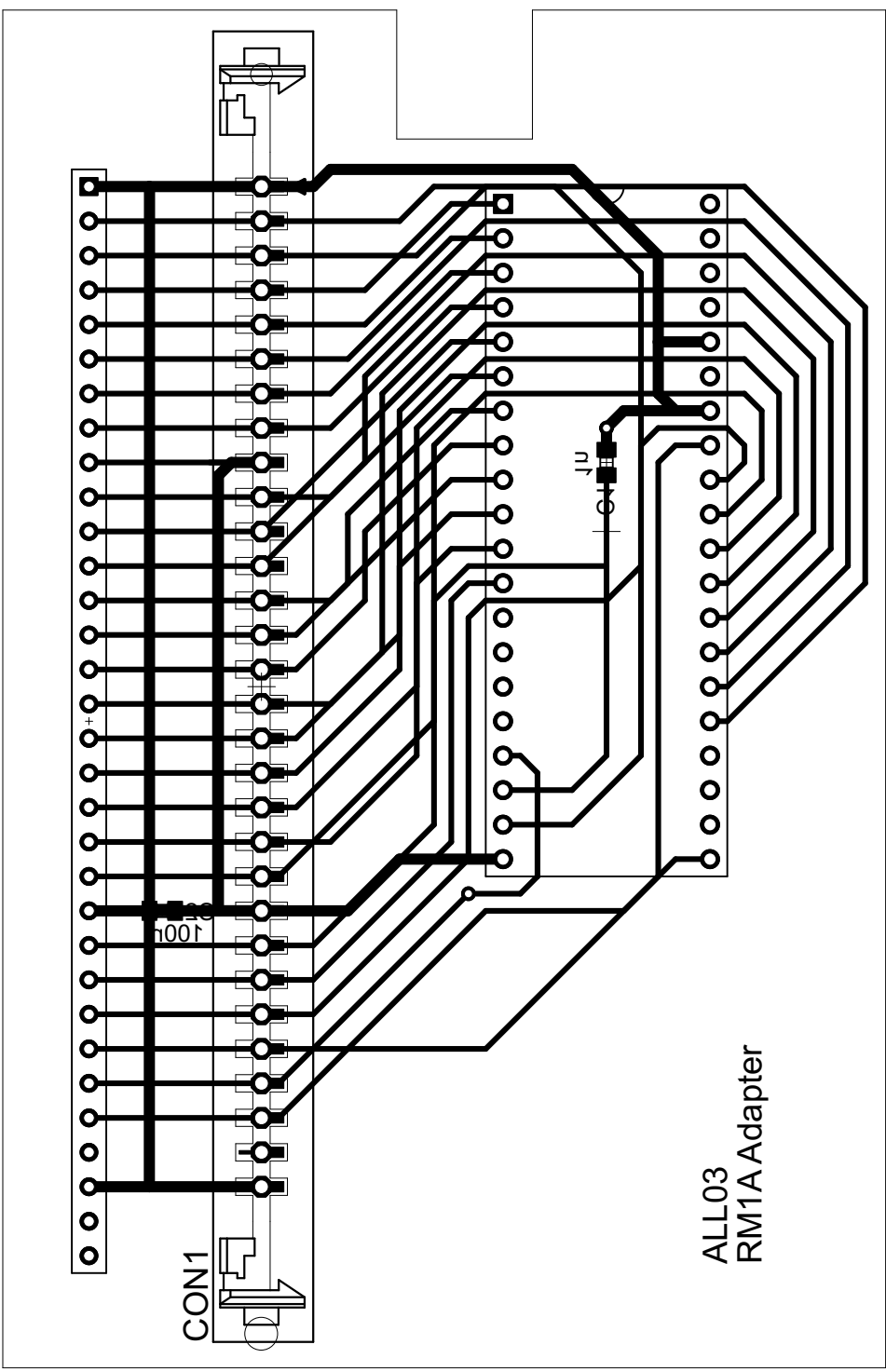


CON3



SIPP-32





ALL03
RM1A Adapter