

5 4 3 2 1

<> TUSB3210 based ALL03 USB adapter
<> by kang (undergnak@gmail.com), 2011/10/23

D

<> Rev1.0
-> initial design
-> 2011/11/04

<> Rev1.1
-> added pull-up resistor
-> added PID identification feature
-> 2011/12/30

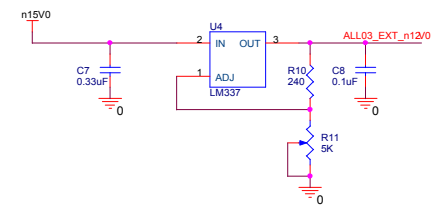
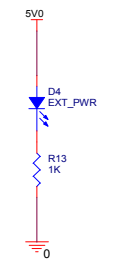
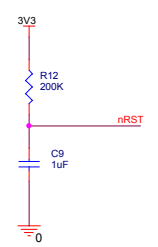
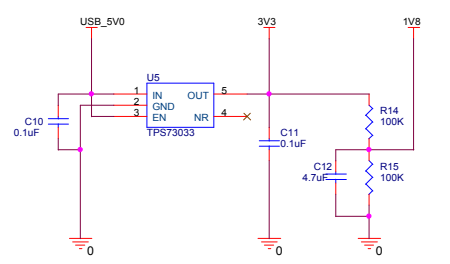
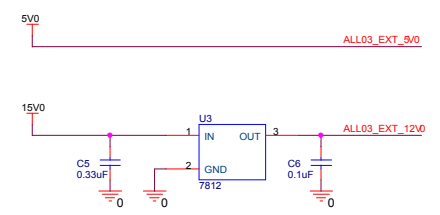
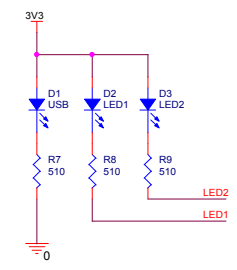
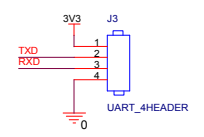
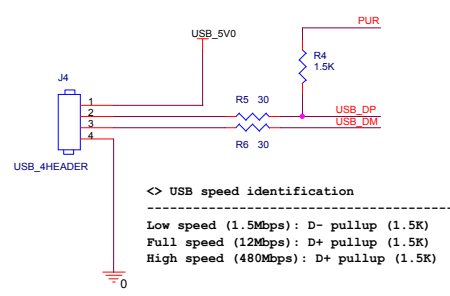
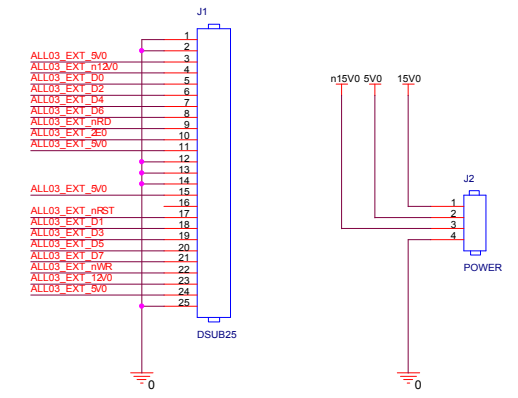
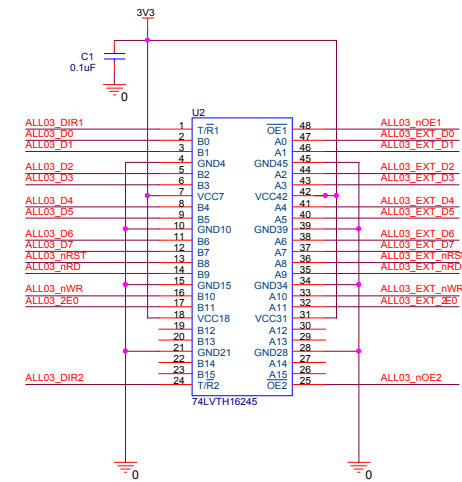
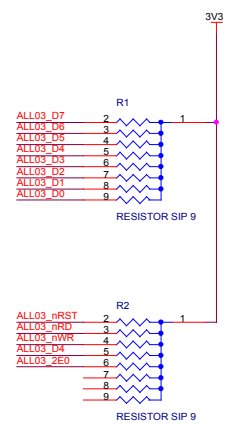
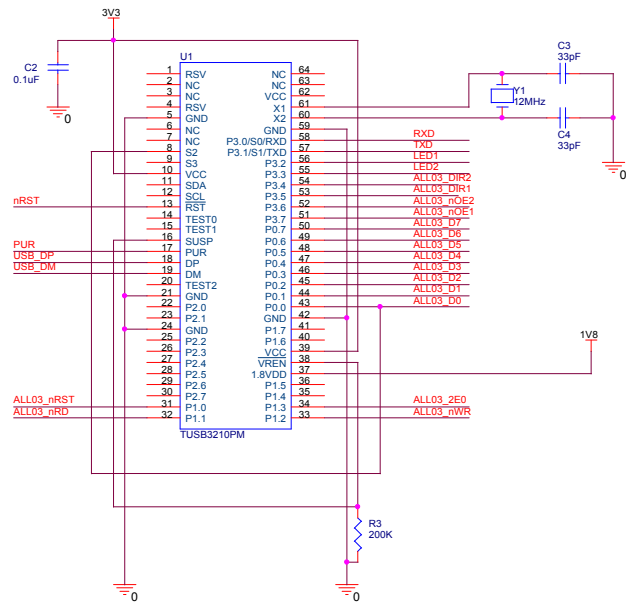
C

B

A

Title		
ALL03 USB adapter		
Size A4	Document Number 01 Title	Rev --
Date:	Friday, December 30, 2011	Sheet 1 of 2

2 1



Title		
ALL03 USB adapter		
Size	Document Number	Rev
A4	02 TUSB3210	--
Date:	Friday, December 30, 2011	Sheet 2 of 2