



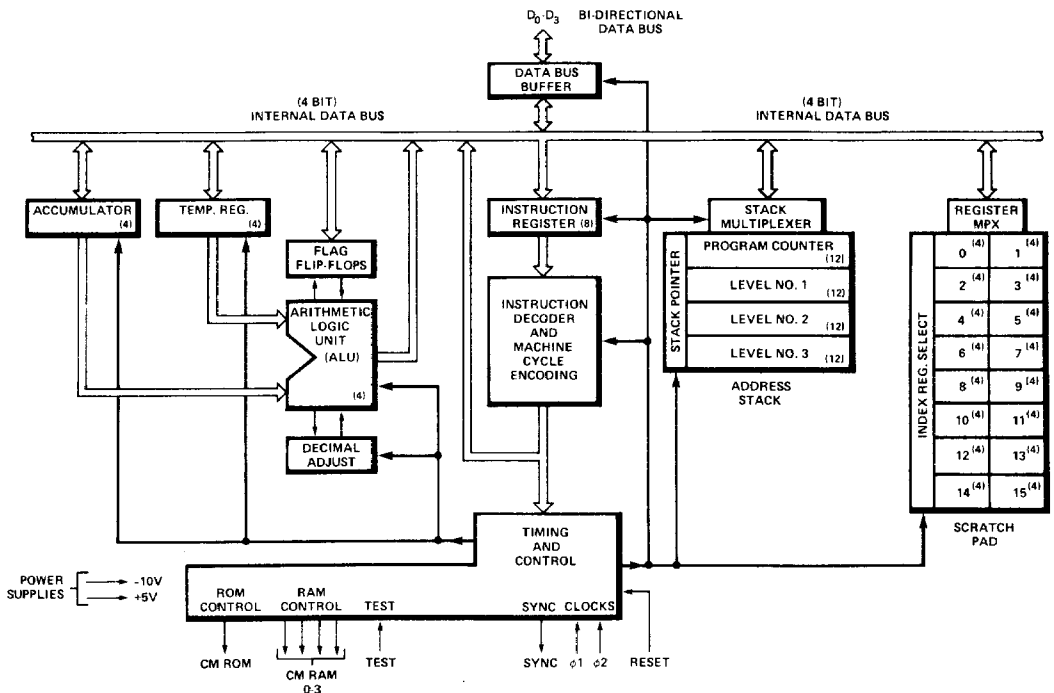
4004 *absolute* SINGLE CHIP 4-BIT *no sub.* P-CHANNEL MICROPROCESSOR

- 4-Bit Parallel CPU With 46 Instructions
 - Instruction Set Includes Conditional Branching, Jump to Subroutine and Indirect Fetching
 - Binary and Decimal Arithmetic Modes
 - 10.8 Microsecond Instruction Cycle *plaster + ceiling*
 - CPU Directly Compatible With MCS-40 ROMs and RAMs
 - Easy Expansion—One CPU can Directly Drive up to 32,768 Bits of ROM and up to 5120 Bits of RAM
 - Standard Operating Temperature Range of 0° to 70° C
 - Also Available With -40° to +85° C Operating Range
- 16 pin pkg. per Intel*

The Intel® 4004 is a complete 4-bit parallel central processing unit (CPU). The 4004 easily interfaces with keyboards, switches, displays, A-D converters, printers and other peripheral equipment.

The CPU can directly address 4K 8-bit instruction words of program memory and 5120 bits of data storage RAM. Sixteen index registers are provided for temporary data storage. Up to 16 4-bit input ports and 16 4-bit output ports may also be directly addressed.

The 4004 is fabricated with P-channel silicon gate MOS technology.



MCS-4/40