

INS8060 Single-Chip 8-Bit N-Channel Microprocessor (SC/MP Family)

General Description

The INS8060 is the N-channel version of National's SC/MP family (an acronym for Simple, Cost-effective MicroProcessor). This family consists of single-chip, 8-bit microprocessors packaged in standard 40-pin dual-in-line packages. N-channel, silicon gate, depletion mode standard-process technology gives the INS8060 high performance, high reliability, and high producibility.

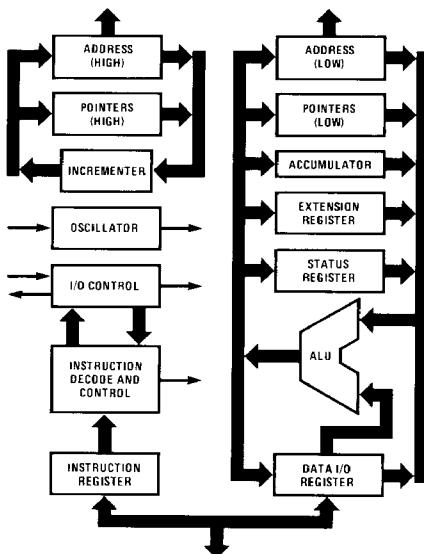
The INS8060 SC/MP is intended for use in general-purpose applications where cost per function is a most significant criterion. But cost efficiency is only a part of SC/MP's story. It goes on to include a variety of useful functions that are not even provided by some of the expensive microprocessors, like self-contained timing circuitry, 16-bit (65k) addressing capability, serial or parallel data-transfer capability and common memory/peripheral instructions. The built-in features in conjunction with the low initial cost describe what SC/MP really is — a microprocessor specifically designed to provide the simplest and most efficient solution to many application requirements.

Customer Benefits

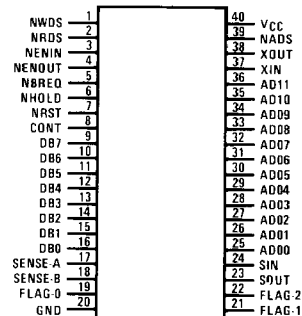
- Simpler interfacing
 - Bidirectional TRI-STATE[®] 8-bit data bus
 - TTL-compatible input/output interface

- Si-gate N-channel ion-implant process
- Direct Memory Access (DMA) and multiprocessor capabilities
 - Handshake bus-access control on chip
- Simplified programming
 - Multiple addressing modes — program-counter-relative, immediate data, indexed, auto-indexed, and implied
- Direct control output
 - Three user-accessible control-flag outputs
- Simpler I/O hardware
 - Separate serial-data input and output ports
 - Two sense inputs
 - Direct interfacing to standard memory parts
- Simplified timing hardware
 - On-chip clock generator
- Interface flexibility
 - Capability to interface with memories or peripherals of any speed
- Large system capability
 - Address capability to 65k bytes of memory
- Simplified power requirements
 - Single 5-volt supply
 - Low power
- Lower cost
 - Plastic package

Block and Connection Diagrams


S-61
Res
ORIG

003637

T-3637
10 SC

INS8060 Pin Configuration

Applications

- Test Systems and Instrumentation
- Machine Tool Control
- Small Business Machines
- Word Processing Systems
- Educational Systems
- Multiprocessor Systems
- Process Controllers
- Terminals
- Traffic Controls
- Laboratory Controllers
- Sophisticated Games
- Automotive

Absolute Maximum Ratings (Note 1)

Voltage at Any Pin -0.5V to +7.0V
 Operating Temperature Range 0°C to +70°C
 Storage Temperature Range. -65°C to +150°C
 Lead Temperature (Soldering, 10 seconds) 300°C

DC Electrical Characteristics ($T_A = 0^\circ\text{C}$ to $+70^\circ\text{C}$, $V_{CC} = +5\text{V} \pm 5\%$)

Parameter	Conditions	Min.	Max.	Units		
INPUT SPECIFICATIONS						
All Input Pins Except V_{CC} and GND Logic "1" Input Voltage		2.0	V_{CC}	V		
	Logic "0" Input Voltage	-0.5	0.8	V		
Input Capacitance (All pins except V_{CC} and GND)			10	pF		
Supply Current I_{CC}	$T_A = 25^\circ\text{C}$ outputs unloaded		45	mA		
	$T_A = 0^\circ\text{C}$ outputs unloaded		50	mA		
OUTPUT SPECIFICATIONS						
"TRI-STATE®" Pins (NWDS, NRDS, DB0 - DB7, AD00 - AD11) Logic "1" Output Voltage	$I_{OUT} = -100\mu\text{A}$	2.4		V		
			Logic "0" Output Voltage	$I_{OUT} = 2.0\text{mA}$	0.4	V
NADS, FLAG 0 - 2, SOUT, NENOUT Logic "1" Output Voltage	$I_{OUT} = -100\mu\text{A}$	$V_{CC} - 1$		V		
			Logic "1" Output Voltage	$I_{OUT} = -1\text{mA}$	1.5	V
			Logic "0" Output Voltage	$I_{OUT} = 2.0\text{mA}$	0.4	V
NBREQ (Note 2) Logic "0" Output Voltage	$I_{OUT} = 2.0\text{mA}$		0.4	V		
		Logic "1" Output Current	$0 \leq V_{OUT} \leq V_{CC}$	± 10	μA	
XOUT Logic "1" Output Voltage	$I_{OUT} = -100\mu\text{A}$	2.4		V		
			Logic "0" Output Voltage	$I_{OUT} = 1.6\text{mA}$	0.4	V

AC Electrical Characteristics $[T_A = 0^\circ\text{C to } +70^\circ\text{C}, V_{CC} = +5\text{V} \pm 5\%, 1 \text{ TTL Load (Note 3)}]$

Parameter	Conditions	Min.	Max.	Units
f_x		0.1	4.0	MHz
	$R = 240\Omega \pm 5\%$ (figure 2B) $C = 300\text{pF} \pm 10\%$	2.0	4.0	MHz
T_C (Note 4)		500		ns
Microcycle		1		μs
External Clock Input (see figure 2A)				
T_{W0}		120		ns
T_{W1}		120		ns
XOUT/ADS Timing Relationship (see figure 3)				
T_H (ADS)		100	225	ns
Address and Input/Output Status (see figures 5 and 6)				
T_{D1} (ADS)			$3T_C/2$	ns
T_W (ADS)		$(T_C/2) - 50$		ns
T_S (ADDR)		$(T_C/2) - 165$		ns
T_H (ADDR)		50		ns
T_S (STAT)		$(T_C/2) - 150$		ns
T_H (STAT)		50		ns
T_H (NBREQ)		0		ns
Data Input Cycle (see figure 5)				
T_D (RDS)		0		ns
T_W (RDS)		$T_C + 50$		ns
T_S (RD)		175		ns
T_H (RD)		0		ns
T_{ACC} (RD)		$2T_C - 200$		ns
Data Output Cycle (see figure 6)				
T_D (WDS)		$T_C - 50$		ns
T_W (WDS)		T_C		ns
T_S (WD)		$(T_C/2) - 200$		ns
T_H (WD)		100		ns
Input/Output Cycle Extend (see figure 7)				
T_S (HOLD)		200		ns
T_{D1} (HOLD)		130	275	ns
T_{D2} (HOLD)			350	ns
T_W (HOLD)			∞	ns
T_H (HOLD)		0		ns
Bus Access (see figure 4)				
T_D (NENOUT)			150	ns
T_{D2} (ADS)		$T_C/2$	$3T_C/2$	ns
T_H (NENIN)		0		ns
Output Load Capacitance				
XOUT			30	pF
All Other Output Pins			75	pF

Note 1: Maximum ratings indicate limits beyond which damage may occur. Continuous operation at these limits is not intended and should be limited to those conditions specified under electrical characteristics.

Note 2: NBREQ is an input/output signal that requires an external resistor to V_{CC} .

Note 3: All times measured from valid Logic "0" level = 0.8V or valid Logic "1" level = 2.0V.

Note 4: T_C is the time period for two clock cycles of the on-chip or external oscillator ($T_C = 2/f_x$). Refer to paragraph titled Timing Control for detailed definition.

Note 5: All times measured with a 50% duty cycle on the external clock.

Functional Description

SC/MP is a self-contained general-purpose microprocessor designed for ease of implementation in stand-alone, DMA (Direct Memory Access), and multiprocessor applications. Communications between SC/MP and external memory/peripheral devices are effected via a 12-bit dedicated address bus and an 8-bit bidirectional data bus. During the address interval of each input/output cycle, SC/MP employs both busses to provide a 16-bit address output: the 12 least significant address bits are sent out over the 12-bit address bus and the 4 most significant address bits are sent out over the 8-bit data bus along with 4 status bits. Separate strobe outputs from SC/MP (NADS, NWDS, NRDS) indicate when valid address information

is present on the two busses, and when valid input/output memory or peripheral data are present on the 8-bit bus. To further extend flexibility of application, serial data input/output ports are also provided so that serial data transfers can be effected under program control. The remaining input/output signals shown in figure 1 are dedicated to general-purpose control and status functions, including initialization, bus management, microprocessor halt, interrupt request, input/output cycle extension, and user-specified hardware/software interface functions. A detailed description of each input/output signal is provided in table 1.

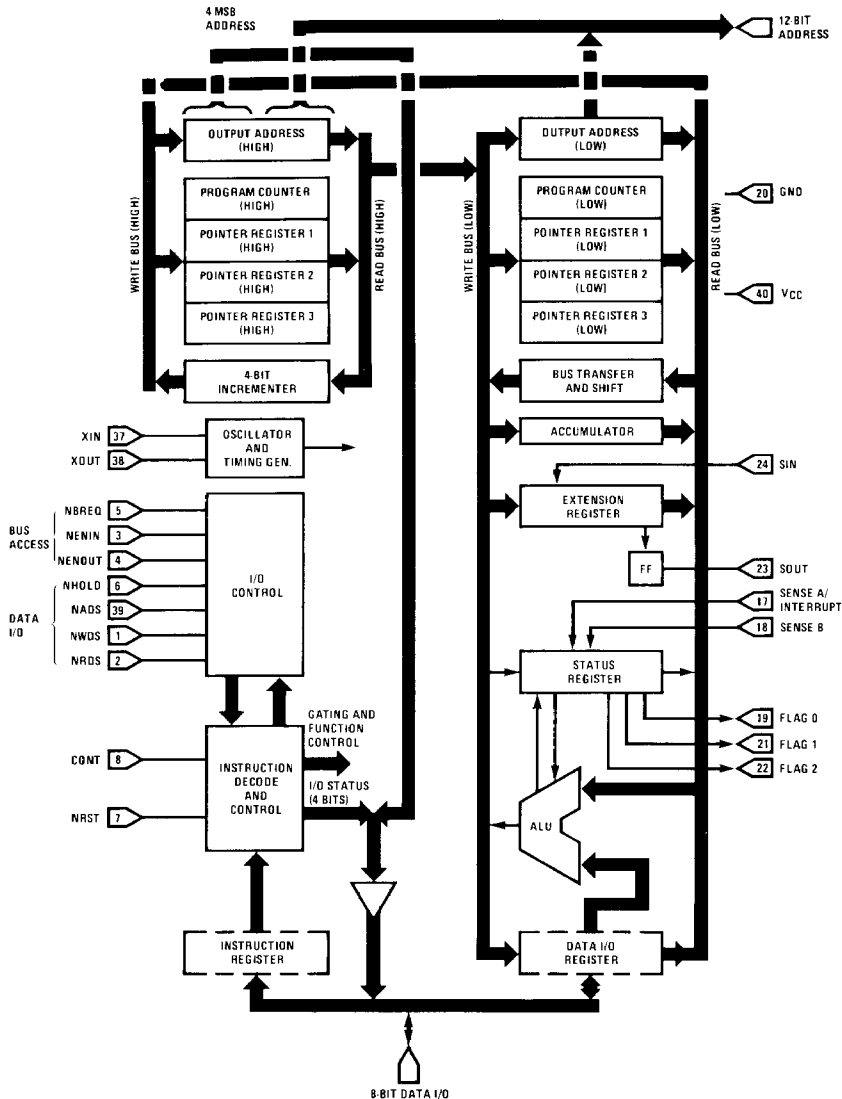


FIGURE 1. INS8060 Detailed Block Diagram

TABLE 1. Input/Output Signal Description

Signal Mnemonic	Functional Name	Description
NRST	Reset Input	Set high for normal operation. When set low, aborts in-process operations. When returned high, internal control circuit zeroes all programmer-accessible registers; then, first instruction is fetched from memory location 000116.
CONT	Continue Input	When set high, enables normal execution of program stored in external memory. When set low, SC/MP operation is suspended (after completion of current instruction) without loss of internal status.
NBREQ	Bus Request Input/Output	Associated with SC/MP internal allocation logic for system bus. Can be used as bus request output or bus busy input. Requires external load resistor to V _{CC} .
NENIN	Enable Input	Associated with SC/MP internal allocation logic for system bus. When set low, SC/MP is granted access to system busses. When set high, places system busses in high-impedance (TRI-STATE [®]) mode.
NENOUT	Enable Output	Associated with SC/MP internal allocation logic for system bus. Set low when NENIN is low and SC/MP is not using system busses (NBREQ-high). Set high at all other times.
NADS	Address Strobe Output	Active-low strobe. While low, indicates that valid address and status output are present on system busses.
NRDS	Read Strobe Output	Active-low strobe. On trailing edge, data are input to SC/MP from 8-bit bidirectional data bus. High-impedance (TRI-STATE [®]) output when input/output cycle is not in progress.
NWDS	Write Strobe Output	Active-low strobe. While low, indicates that valid output data are present on 8-bit bidirectional data bus. High-impedance (TRI-STATE [®]) output when input/output cycle not in progress.
NHOLD	Input/Output Cycle Extend Input	When set low prior to trailing edge of NRDS or NWDS strobe, stretches strobe to extend input/output cycle; that is, strobe is held low until NHOLD signal is returned high.
SENSE A	Sense/Interrupt Request Input	Serves as interrupt request input when SC/MP internal IE (Interrupt Enable) flag is set. When IE flag is reset, serves as user-designated sense condition input. Sense condition testing is effected by copying status register to accumulator.
SENSE B	Sense Input	User-designated sense-condition input. Sense-condition testing is effected by copying status register to accumulator.
SIN	Serial Input to E Register	Under software control, data on this line are right-shifted into E register by execution of SIO instruction.
SOUT	Serial Output from E Register	Under software control, data are right-shifted onto this line from E register by execution of SIO instruction. Each data bit remains latched until execution of next SIO instruction.
FLAGS 0, 1, 2	Flag Outputs	User-designated general-purpose flag outputs of status register. Under program control, flags can be set and reset by copying accumulator to status register.
AD00-AD11	Address Bit 00 through Address Bit 11	Twelve TRI-STATE [®] address output lines. SC/MP outputs 12 least significant address bits on this bus when NADS strobe is low. Address bits are then held valid until trailing edge of read (NRDS) or write (NWDS) strobes. After trailing edge of NRDS or NWDS strobe, bus is set to high-impedance (TRI-STATE [®]) mode until next NADS strobe.

NOTE:

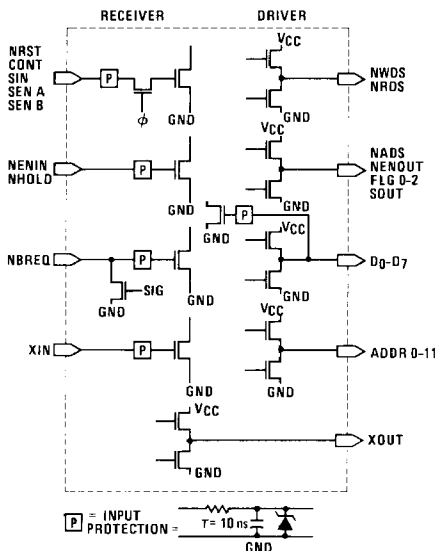
The 8-bit bidirectional data bus is set to the high-impedance (TRI-STATE[®]) mode except when it is actually in use by SC/MP (NADS, NRDS, or NWDS low). During the addressing interval of each input/output cycle (NADS low), SC/MP provides address and status outputs over the bus; during the ensuing data-transfer interval (NRDS or NWDS low), 8-bit input or output data bytes are routed over the bus.

TABLE 1. Input/Output Signal Description (Continued)

Signal Mnemonic/ Pin Designation	Output at NADS Time		Input at NRDS Time	Output at NWDS Time
	Functional Name	Description		
DB0	Address Bit 12	Fourth most significant bit of 16-bit address.		
DB1	Address Bit 13	Third most significant bit of 16-bit address.		
DB2	Address Bit 14	Second most significant bit of 16-bit address.		
DB3	Address Bit 15	Most significant bit of 16-bit address.		
DB4	R-Flag	When high, data input cycle is starting; when low, data output cycle is starting.		
DB5	I-Flag	When high, first byte of instruction is being fetched.		
DB6	D-Flag	When high, indicates delay cycle is starting; that is, second byte of DLY instruction is being fetched.		
DB7	H-Flag	When high, indicates that Halt Instruction has been executed. (In some system configurations, the H-Flag output is latched and, in conjunction with the CONTINUE input, provides a programmed halt.)		
			<p>Note: The DB0 through DB7 (AD12-HFLG) lines are a high-impedance (open circuit) load when SC/MP does not have access to the input/output bus.</p>	

DRIVERS AND RECEIVERS

Equivalent circuits for SC/MP drivers and receivers are shown below. All inputs have static charge protection circuits consisting of an RC filter and voltage clamp. These devices still should be handled with care, as the protection circuits can be destroyed by excessive static charge.



INS8060 Driver and Receiver Equivalent Circuits

TIMING CONTROL

All necessary timing signals are provided by a three-stage inverter ring oscillator contained on the SC/MP chip. Two control pins, XIN and XOUT, permit the frequency of the oscillator to be controlled by any of the following methods:

1. By leaving the XOUT pin unterminated and driving the XIN pin with an externally generated TTL clock that conforms to the parameters shown in figure 2A. For this method, the frequency of the oscillator is equal to the frequency of the external clock input.
2. By connecting a resistor-capacitor feedback network between the XIN and XOUT pins and GND as shown in figure 2B.
3. By connecting a crystal with low-pass filter network between the XIN and XOUT pins and GND as shown in figure 2C (for above 1 megahertz) or figure 2D (for 1 megahertz or below). For this method, the frequency of the oscillator is equal to the resonant frequency of the crystal and the low-pass filter prevents unwanted harmonic oscillations.

In addition to illustrating appropriate frequency-control networks for the on-chip oscillator, figures 2A through 2D also show how an optional driver may be used to derive a system clock from the oscillator signal present at the XOUT pin. For reference purposes, the timing relationship between the XOUT signal and the NADS strobe is shown in figure 3.

In the discussions that follow, instruction execution and input/output timing are described in terms of microcycles.

The time interval of a microcycle is four times the period of the oscillator; that is:

$$\text{period of one microcycle} = 2T_C$$

$$T_C = 2\left(\frac{1}{f_{\text{osc}}}\right) = 2\left(\frac{1}{f_{\text{res}}}\right) = 2\left(\frac{1}{f_{\text{XIN}}}\right)$$

where:

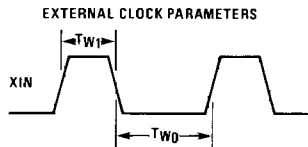
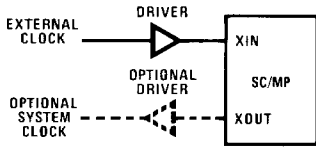
T_C = time period for two cycles of on-chip or external oscillator

f_{osc} = frequency of on-chip oscillator

f_{res} = resonant frequency of crystal connected between XIN and XOUT pins

f_{XIN} = frequency of external clock applied to XIN pin

A. External Clock Input



B. Resistor-Capacitor Feedback Network

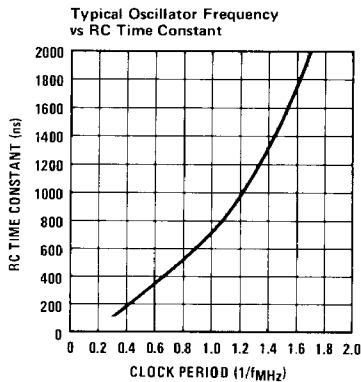
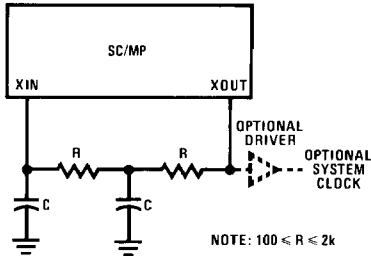
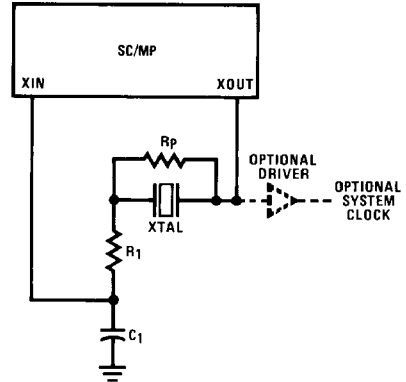


FIGURE 2. Frequency Control Networks for On-Chip Oscillator

C. Crystal with Low-Pass Filter (Above 1MHz)



Suggested values for Crystal with Low-Pass Filter Network.

Crystal	R _p	C ₁	R ₁
2MHz	100kΩ	56pF	1kΩ
3.58MHz	100kΩ	27pF	1kΩ
4MHz	100kΩ	27pF	1kΩ

XTAL is parallel resonant with maximum series resonance equal to 1 kΩ.

D. Crystal with Low-Pass Filter (1MHz or Below)

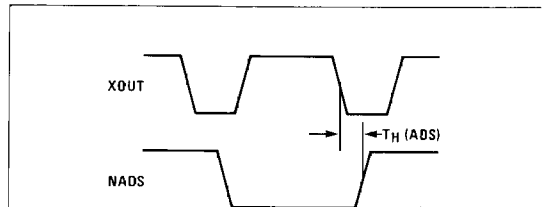
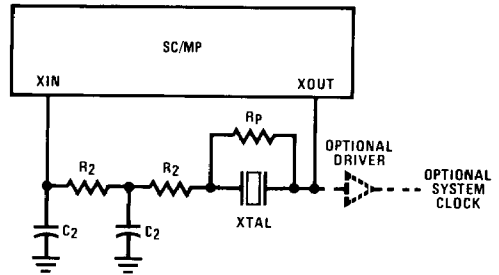


FIGURE 3. XOUT/NADS Timing Relationship

INSTRUCTION FORMAT

The SC/MP instruction repertoire includes both single-byte and double-byte instructions. A single-byte instruction consists of an 8-bit operation code that specifies an operation that SC/MP can execute without further reference to memory. A double-byte instruction consists of an 8-bit operation code and an 8-bit data or displacement field. When the second byte represents a data field, the data are processed by SC/MP during execution of the instruction, thereby eliminating the need for further memory references. When the second byte represents a displacement value, it is used to calculate a memory address that will be accessed (written into or read from) during execution of the instruction (refer to Addressing).

DATA STORAGE

As shown in figure 1, SC/MP provides ten internal registers, seven of which are accessible to the programmer. The purpose and function of these registers are described below.

Program Counter — The program counter is a 16-bit register that contains the address of the instruction being executed. The contents of this register are automatically incremented by one just before each instruction is fetched from memory to enable sequential execution of the stored instructions. Under program control, the contents of this register also may be modified or exchanged with the contents of a pointer register to effect subroutine calls and program branches.

NOTE:

The 16-bit address output of the program counter consists of a 4-bit high-order address and a 12-bit low-order address. When the program counter is incremented at the start of each instruction fetch input/output cycle, only the 12 low-order bits are affected; no carry is provided to the 4 high-order bits. For systems employing memories of 4k or less, the high-order bits can be ignored as they are set to 0000₁₆ following initialization. For systems employing larger memories, the contents of a pointer register can be modified to select the desired 4k block of memory.

Pointer Registers — The pointer registers are 16-bit general-purpose registers that normally are loaded under program control with reference addresses that serve as page pointers, stack pointers, and subroutine pointers. In applications having minimal memory addressing requirements, these registers may be used alternately as data storage registers.

NOTE:

When interrupt requests are enabled, pointer register 3 is automatically referenced by the internal microprogram for formation of the starting address of the user-generated interrupt service routine. (See figure 9.) In this case, the contents of pointer register 3 must be set to one less than the memory location of the first instruction in the interrupt service routine.

Accumulator — The 8-bit accumulator (AC) is the primary working register of SC/MP. It is used for performing and storing the results of arithmetic and logic operations as well as for data transfers, shifts, rotates, and data exchanges with the program counter, the pointer registers, and the status register.

Extension Register — The extension register is used both for serial input/output data transfers and with the accumulator to effect arithmetic, logic, and data-transfer operations. If the second byte of an indexed or auto-indexed memory-reference instruction (refer to Addressing) equals -128₁₀, the contents of the extension register are used as the displacement value for address formation.

Status Register — The status register provides storage for arithmetic, control, and software status flags. For more-detailed information on the function of this register, refer to Status Register under the description of the Arithmetic and Logic Unit.

Instruction Register — The 8-bit instruction register is not accessible to the programmer. During the fetch phase of each instruction cycle, this register is loaded with the 8-bit instruction operation code retrieved from memory (for a single-byte instruction or the first byte of a double-byte instruction).

Data Input/Output Register — The data input/output register is not accessible to the programmer. It is used for temporary storage of all input/output data received via or transmitted over the 8-bit bidirectional data bus during the data-transfer interval of each input/output cycle (NRDS or NWDS low).

Address Register — The 16-bit address register is not accessible to the programmer. It is used for temporary storage of the 16-bit address transmitted during an input/output cycle.

ARITHMETIC AND LOGIC UNIT

The Arithmetic and Logic Unit (ALU) provides the data-manipulation capability that is an essential feature of any microprocessor. The operations provided by the ALU include OR, XOR, increment, decrement, binary addition, and decimal addition. For decimal addition, the data inputs to the ALU are treated as two 4-bit BCD digits, thereby eliminating the program-storage and execution time required to perform BCD to binary conversion.

BUS TRANSFER LOGIC

The bus transfer logic processes the gating and function control outputs of the instruction-decode logic to provide the shift-right (with link, without link, or with serial input data), rotate (with or without link), and bus-exchange functions necessary for data movement between the SC/MP internal read and write busses. A general summary of the data-manipulation capabilities available to the programmer follows.

1. Either the low-order or the high-order byte of any pointer register can be exchanged with the contents of the 8-bit accumulator. Thus, data exchanges between the pointer registers can be effected one byte at a time via the accumulator.
2. The contents of the program counter can be directly exchanged with the contents of any pointer register.
3. The contents of the extension register can be loaded into the accumulator or can be exchanged with the contents of the accumulator. When the accumulator is loaded from the extension register, the original contents of the accumulator are lost.

4. The contents of the status register can be copied into the accumulator to enable status modification or conditional-branch testing. When the status register is copied into the accumulator, the contents of the status register are not altered but the original contents of the accumulator are lost.

5. The contents of the accumulator can be copied into the status register to change the outputs of the status register, except for status bits 4 and 5 (Sense A and B inputs to SC/MP). Since these are read-only bits, they are not affected by data movements internal to SC/MP. Copying the accumulator into the status register does not alter the contents of the accumulator.

NOTE:

The flag 0, 1, and 2 outputs of the status register serve as latched flags; in other words, they are set to the specified state when the contents of the accumulator are copied into the status register, and they remain in the specified state until the contents of the status register are modified again under program control.

STATUS REGISTER

The function of each bit in the status register is described briefly below.

7	6	5	4	3	2	1	0
CY/L	OV	SB	SA	IE	F ₂	F ₁	F ₀

User Flag 0 — User-assigned general-purpose status bit for implementation as software status bit or in system control applications. This status bit is available as an external output from SC/MP.

User Flag 1 — Same as User Flag 0.

User Flag 2 — Same as User Flag 0.

Interrupt Enable Flag — Internal status bit that is set and reset under program control. When set, SC/MP recognizes external interrupt requests received via Sense A input. When reset, inhibits SC/MP from recognizing interrupt requests.

Sense A — General-purpose status input for sensing external conditions. When IE flag is reset, this bit can be tested by copying status register to accumulator. When IE flag is set, this bit serves as interrupt request input causing SC/MP to automatically branch to user-generated interrupt-service routine in response to high input.

Sense B — Same as Sense A except that it is not tested for interrupt status.

NOTE:

Sense A and B inputs are read-only bits. Thus, they are not affected when the contents of the accumulator are copied into the status register.

Overflow (OV) — This bit is set if an arithmetic overflow occurs during an add (ADD, ADI, or ADE) or a complement-and-add instruction (CAD, CAI, or CAE). It is not affected by the decimal-add instructions (DAD, DAI, or DAE).

Carry/Link (CY/L) — This bit is set if a carry from the most significant bit occurs during an add, complement-and-add, or decimal-add instruction. Thus, it serves as a carry input to the next add instruction. In addition, it is included in the Shift Right with Link (SRL) and Rotate Right with Link (RRL) instructions.

CONTROL

The operation of the SC/MP microprocessor consists of repeatedly accessing or fetching instructions from the program stored in external memory and executing the operations specified by the instructions. These two steps are carried out under the control of an internal microprogram. (SC/MP is not user-microprogrammable.) The microprogram is similar to a state table specifying the series of states of system control signals necessary to carry out each instruction. Microprogram storage is provided in the instruction decode and control logic, and microprogram routines are implemented to fetch and execute instructions. The fetch routine first increments the program counter, and then causes the instruction address to be transferred from the program counter to the system busses via the output address register. The microprogram next initiates an input data transfer. When the instruction operation code is subsequently placed on the 8-bit data bus (single-byte instruction or first byte of double-byte instruction), the operation code is loaded into the instruction register. The operation code is then partially decoded to determine whether the instruction contains a second byte. If it does, a second input data transfer is effected to load the next byte in the data input/output register.

After the complete instruction is stored in the instruction and/or data input/output register(s), the instruction decoder transforms the instruction operation code into the address of the appropriate instruction-execution routine contained in the internal microprogram. The microprogram then branches to the specified internal address to initiate execution of the instruction. The resulting execution routine comprises one or more microinstructions that implement the required functions. For example, the first microcycle of an Extension Register Add Instruction (ADE) causes the contents of the extension register to be gated onto the read bus, transferred to the write bus via the bus control logic, and then written into the data input/output register. The next microcycle causes the contents of the accumulator to be gated onto the read bus, the contents of the read bus to be added to the contents of the data input/output register via the ALU, and the resultant output of the ALU to be written into the accumulator via the write bus. The final step of the execution routine is a jump back to the fetch routine to access the next instruction.

INITIALIZATION

Since SC/MP may power up in a random condition, the following power-up and initialization procedure is recommended.

1. Apply power (GND and V_{CC}) and set NRST low.

NOTE:

Allow ample time (typically, 250ms) for the oscillator and the internal clocks to stabilize. In systems where NRST is set low after turning on power, NRST must remain low for a minimum of 4T_C. While NRST is low, any in-process operations are aborted automatically. When NRST is low, strobes and address and data busses are in the Non-I/O state (high-Z state).

2. Set NRST high. If the rise time of this input is too slow, the processor, first, will initialize and execute a few instructions and, then, will reinitialize. If the application is such that multiple initialization is undesirable, NRST should be brought high at a minimum rate of 2 volts per microcycle.

NOTE:

This causes the SC/MP internal control circuit to set the contents of all programmer-accessible registers to zero. Thus, when SC/MP is granted access to the system busses following initialization, the first instruction is fetched *always* from memory location 000116. The NBREQ output goes low, indicating the start of this input/output cycle; this occurs at a time within $13T_C$ after NRST is set high. Normal execution of the program continues as long as NRST remains high.

Parallel Data Transfers

Parallel data transfers occur during each instruction fetch and during the ensuing read/write cycle associated with execution of the memory-reference instructions. This class of instruction could perhaps more properly be called the "Input/Output Reference Class" in the case of the SC/MP microprocessor, since all data transfers, whether with memory, peripheral devices, or a central processor data bus, occur through the execution of these instructions. This unified bus structure is in contrast with many other microprocessors and minicomputers that have one instruction type (input/output class) for communication with peripheral devices and another instruction type (memory reference class) for communication with memories. The advantage of the approach taken by SC/MP is that a wider variety of instructions (the entire memory-reference class) is available for communications with peripherals. Thus, the LD and ST (Load and Store) instructions can be used for basic transfers, the ILD and DLD (increment/decrement and load) instructions can be used for indexing peripheral registers, and the remaining memory reference instructions can be used, as required, for "one-step" retrieval and processing of peripheral input data.

BUS UTILIZATION

The bus utilization of SC/MP is shown in table 2.

NBREQ, NENIN, and NENOUT are active and bus access is controlled as shown in figure 4. If NENIN is returned high during an input/output cycle, the input/output cycle is repeated when NENIN is again returned low.

During an ILD or DLD instruction, SC/MP does not relinquish the bus between the loading of the data and the storing of the modified data. If NENIN is brought high after the data have been loaded, the load portion of the cycle is not repeated when NENIN is returned low.

BUS ACCESS

Before SC/MP can initiate parallel data transfers with memory or peripheral devices, it must have access to the system address and data busses. Three of the SC/MP input/output signals are associated with bus control: NBREQ, NENIN, and NENOUT. For simple stand-alone applications, the NENOUT signal can be ignored and the NENIN signal can be tied to GND to allow the SC/MP microprocessor to have continual access to the system

busses. The NBREQ input/output line then goes low during each input/output cycle as shown in figures 5 and 6 to indicate when SC/MP is actually using the system busses.

NOTE:

The NBREQ input/output line must be tied to V_{CC} via an external load resistor to allow normal operation of the SC/MP microprocessor.

For DMA and multiprocessor applications, the NBREQ, NENIN, and NENOUT signals can be interconnected in various configurations to allow bus access to be granted to requesting devices according to user-specified priorities. Figure 4 illustrates the general sequence in which these signals are processed by SC/MP to gain access to the system busses and to indicate when the busses are actually being used.

INPUT/OUTPUT CYCLE

Once SC/MP has control of the system busses, the actual input/output cycle begins. As shown in figures 5 and 6, the functions of memory addressing, data reading, and data writing are implemented, respectively, by the address strobe (NADS), the read strobe (NRDS), and the write strobe (NWDS). Note that the NBREQ signal is reset high at the end of the input/output cycle to indicate that the system busses are now free for use by the highest-priority requesting device.

The first operation that SC/MP performs for each input/output cycle is to load the 12 least significant address bits onto the 12-bit address bus, and the 4 most significant address bits along with 4 status bits onto the 8-bit data bus. At the same time, SC/MP sets the NADS output low to indicate that the address and the status information are valid. The low-order address on the 12-bit bus is then held valid for the duration of the input/output cycle; the high-order address and the status information on the 8-bit bus remain valid only while NADS is low. While valid, the status bits have the following significance:

RFLG — When high, indicates that input/output cycle is read cycle; when low, indicates that input/output cycle is write cycle.

IFLG — Set high to indicate that instruction operation code (single-byte instruction or first byte of double-byte instruction) will be output from memory following NADS.

DFLG — Set high only when second byte of Delay Instruction is to be read from memory following NADS. Execution of the Delay Instruction then starts at trailing edge of NRDS. Upon completion, SC/MP provides NADS output to initiate next input/output cycle if bus access is granted. Time in microcycles from leading edge of delay flag to leading edge of subsequent NADS output is computed from the following formula:

$$\text{Delay} = [9 + 2(\text{AC}) + 2 \text{ disp} + 2^9 \text{ disp}] \text{ microcycles}$$

where

(AC) = unsigned contents of accumulator

disp = unsigned displacement value contained in second byte of Delay Instruction

The time derived from the above formula does not include the four microcycles required to fetch the first byte of the Delay Instruction. Thus, when the Delay

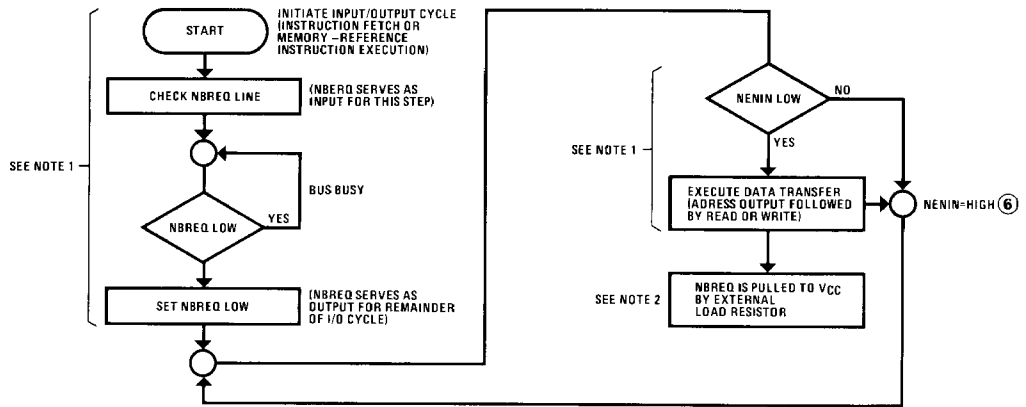
Instruction is used for software timing, total instruction execution time equals $[13 + 2(AC) + 2 \text{ disp} + 2^9 \text{ disp}]$ microcycles.

NOTE:

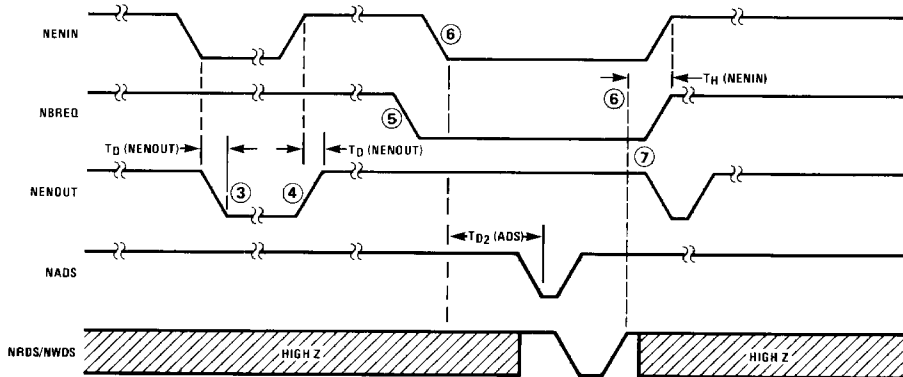
When Halt Instruction is executed, instruction decode and control logic inhibits incrementing of program counter for one input/output cycle. Thus, Halt Instruction is read from memory a second time to enable generation of HFLG output, but no

further processing of Halt Instruction occurs. In effect, this procedure ensures HFLG is output in advance of the next instruction to be fetched from memory.

HFLG – Set high only during addressing interval of read cycle that follows Halt Instruction. HFLG may be used to cause user-provided external logic to set the CONT input low, and thereby to effect a programmed halt. Since HFLG read cycle precedes the next instruction



A. NBREQ and NENIN Processing Sequence



B. NBREQ, NENIN, and NENOUT Timing

Note 1: NENOUT is always high while SC/MP is actually using bus; that is, NENIN input and NBREQ output are low.

Note 2: When SC/MP is not using bus (NBREQ output or NENIN input high), NENOUT is held in same state as NENIN input.

Note 3: NENOUT goes low to indicate that SC/MP was granted access to bus (NENIN low) but is not using bus.

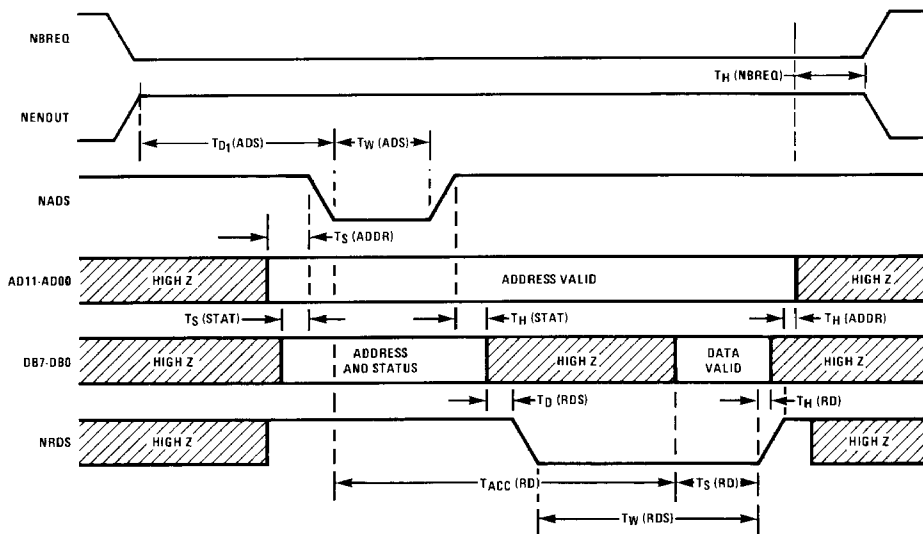
Note 4: NENOUT goes high in response to high NENIN input.

Note 5: SC/MP generates bus request; bus access not granted because NENIN high.

Note 6: NENIN goes low. Bus access now granted and input/output cycle actually initiated. If NENIN is set high while SC/MP has access to the bus, the address and data ports will go to the high-impedance (Tri-State[®]) state, but NBREQ will remain low. When NENIN is subsequently set low, the input/output cycle will begin again.

Note 7: Input/output cycle completed. NENOUT goes low to indicate that SC/MP granted access to bus but not using bus. If NENIN had been set high before completion of input/output cycle, NENOUT would have remained high.

FIGURE 4. Bus Access Control



Note: Timing is valid when NENIN is low before NBREQ is set low by SC/MP; see figure 4 for NADS timing when NENIN is set low after NBREQ.

FIGURE 5. SC/MP Data Input Timing

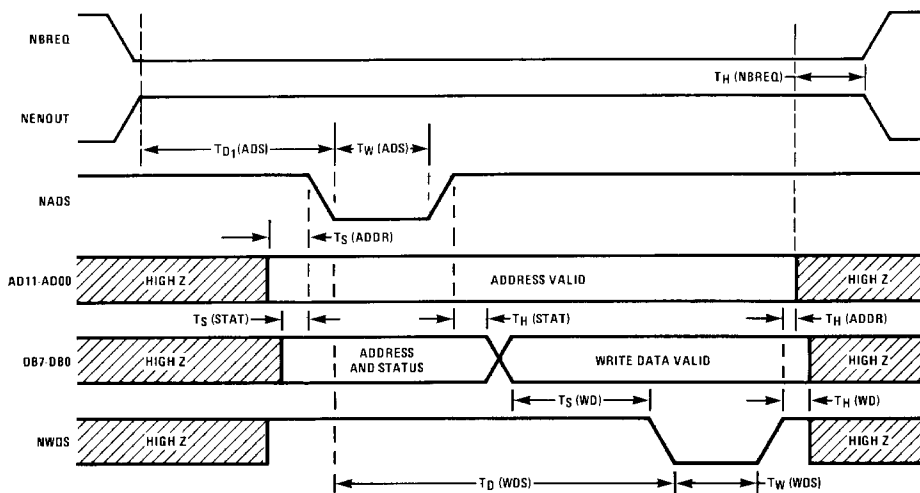


FIGURE 6. Data Output Timing

fetch, termination of programmed halt enables fetch of first instruction that follows Halt Instruction.

After resetting the NADS output, SC/MP generates an NRDS or NWDS strobe, respectively, to initiate a data-input (read) or data-output (write) operation. For a read operation, input data are strobed into SC/MP from the 8-bit bus on the trailing edge of the NRDS strobe. For a write operation, SC/MP places valid output data on the 8-bit bus on the leading edge of the NWDS strobe. After resetting the NRDS or NWDS strobe to complete the data transfer, SC/MP then resets the NBREQ signal to indicate that the system busses are free for use by another controller.

INPUT/OUTPUT CYCLE EXTENSION

As shown in figure 7, the NHOLD signal may be set low prior to the trailing edge of the NRDS or NWDS strobe to cause SC/MP to lengthen the input/output cycle by holding the strobe active until after the NHOLD signal is returned high. Since there is no restriction on the maximum duration of the NHOLD signal, it can be used in a variety of applications ranging from accommodation of memories/peripherals with long access times to single-cycle control of the operating program for software debug purposes.

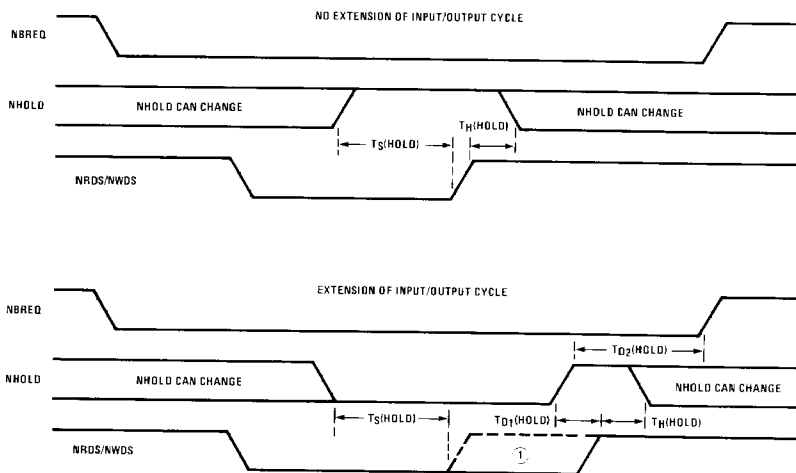
Figure 8 illustrates a typical circuit that may be used to generate an NHOLD signal of repeatable duration. The circuit shown employs a DM74165 8-Bit Parallel In/Serial Out Shift Register to allow selection of an input/output cycle extend time that ranges from $T_C/2$ to $2T_C$ in increments of $T_C/2$. Functional operation of the circuit is controlled by the NADS strobe and XOUT signals. Each time that the NADS strobe goes low, the data present at the A through H terminals are loaded into the shift register in parallel. When the NADS strobe subsequently returns high, the data are then shifted out serially on the positive-to-negative transitions of XOUT.

Thus, the NHOLD output of the circuit is set low on the leading edge of each NADS strobe and, as shown in the chart that accompanies the circuit diagram, it remains low for a time period ranging from three clock cycles minimum (B, C, D, and E inputs = Logic "1") to seven clock cycles maximum (B, C, D, and E inputs = Logic "0").

It is important to note that instruction execution time is increased whenever an input/output cycle is extended via the NHOLD signal. For purposes of computing the increase in instruction execution time, it is necessary to distinguish between the terms *Input/Output Cycle Delay Period* and *Input/Output Cycle Extend Time*. The term *Input/Output Cycle Delay Period* refers to the time that the NRDS/NWDS strobe is actually "stretched" to provide the required memory or peripheral access time. The term *Input/Output Cycle Extend Time* refers to the additional number of microcycles required by the internal SC/MP microprogram to complete the extended input/output cycle; that is:

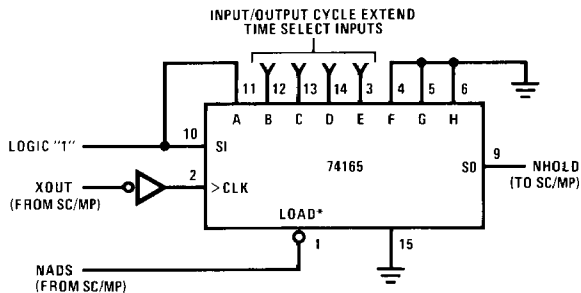
Input/Output Cycle Delay Period	Input/Output Cycle Extend Time
$T_C/2$ through $2T_C$ ($> 0 \leq 1 \mu\text{cycle}$)	1 μcycle
$5T_C/2$ through $4T_C$ ($> 1 \leq 2 \mu\text{cycles}$)	2 μcycles
$9T_C/2$ through $6T_C$ ($> 2 \leq 3 \mu\text{cycles}$)	3 μcycles
etc.	etc.

The total increase in instruction execution time, therefore, is equal to the *Input/Output Cycle Extend Time* multiplied by the total number of input/output cycles associated with the instruction. For example, a DLD Instruction is normally executed in 22 microcycles. Since this instruction employs three read input/output cycles and one write input/output cycle, an *Input/Output Cycle Extend Time* of one microcycle would increase total DLD Instruction execution time to 26 microcycles.



Note 1: In order to extend the input/output cycle, NHOLD must remain low until the point where NRDS/NWDS would have made a low-to-high transition with NHOLD inactive. Dashed line indicates the trailing edge of NRDS/NWDS when NHOLD is not active.

FIGURE 7. NHOLD Timing



Data Inputs B C D E	NHOLD Duration (in clock cycles)	Input/Output Cycle		Required Memory Access Time [T _{ACC} (RD)]
		Delay Period	Extend Time in Microcycles	
1 1 1 1	3	0	0	2T _C - 200
1 1 1 0	4	T _C /2	1	(5T _C /2) - 200
1 1 0 0	5	T _C	1	3T _C - 200
1 0 0 0	6	3T _C /2	1	(7T _C /2) - 200
0 0 0 0	7	2T _C	1	4T _C - 200

FIGURE 8. Typical NHOLD Control Circuit

Serial Data Transfers

Serial input/output data transfers can be used efficiently with very slow input/output peripherals such as X-Y plotters, teletypewriters, slow-speed printers, and so forth. Such transfers can be effected in any of the following manners:

1. By assigning serial input/output functions to the extension register via the SIO (Serial Input/Output) Instruction. When this instruction is executed, the contents of the extension register are shifted right one bit. At the same time, data present on the SIN line are shifted into bit position 7 of the extension register and the original contents of bit position 0 are shifted into a flip-flop to provide a latched output of the SOUT line. The SOUT data are then held latched until the next SIO instruction is executed.
2. By using one of the status flags as an output data bit and one of the sense lines as an input data bit.
3. By implementing external logic such that only one line of the 8-bit data input/output bus is used.

For synchronous systems, serial data input/output timing may be provided by program loops that employ the delay instruction, or by using one or more of the transfer instructions (see table 2) to test the output of an external timing circuit. For asynchronous systems, one of the sense inputs can be used for testing bit-received/ready status and a pulsed flag output can be provided, under program control, for peripheral indexing each time that a data bit is actually shifted in or out.

Systems that have several input/output devices must be multiplexed; device selection can then be accomplished using the status flag outputs of SC/MP, or by using

parallel input/output commands to load an external latch. Systems that do not require serial input/output capability can employ the SIN and SOUT lines as a sense input and flag output, respectively.

Interrupts

When the internal interrupt enable (IE) flag is set under program control, the Sense A line is enabled to serve as an interrupt request input; when the IE flag is reset, SC/MP is inhibited from detecting interrupts. Thus, while the IE flag is set, the Sense A input is tested prior to the fetch phase of each instruction as shown in figure 9. Upon detection of an interrupt request (Sense A high), the following events occur automatically.

1. The status register IE flag is reset to prevent SC/MP from responding to any further interrupt requests. Interrupt request capability can then be reenabled during or at the end of the ensuing user-generated interrupt service routine via the IEN (Enable Interrupt) Instruction or by copying the accumulator into the status register.
2. The contents of the program counter are exchanged with the contents of the pointer register 3.
3. The contents of the program counter are incremented by one to address the first instruction of the user-generated interrupt service routine.

The interrupt system must be armed before interrupts are enabled. This is accomplished as follows:

1. First, the Interrupt Enable Bit in the Status Register is set true by executing either an Enable Interrupt Instruction (IEN) or a Copy Accumulator to Status Register Instruction (CAS).

2. Second, one additional instruction is fetched and executed.

A return from interrupt is accomplished by executing two instructions: Enable Interrupt (IEN) immediately followed by Exchange Pointer 3 with Program Counter (XPPC 3).

Microprocessor Halt

The CONT input to SC/MP is provided to enable suspension of operation without loss of internal status. Processing of the CONT input is shown in figure 9. Since this is an asynchronous input, it can be controlled by external timing logic, or as stated previously, the HALT flag output that appears on the 8-bit data bus (during the read cycle that follows execution of a Halt Instruction) can be used with an external circuit to effect a programmed halt condition. Note that when an interrupt request is detected while the CONT input is low, the first instruction of the user-generated interrupt service routine is automatically executed. Thus, the first instruction of the interrupt service routine can be used to reset the external CONT input logic and, thereby, to terminate the microprocessor halt condition if so desired.

After execution of an instruction, the CONT input must be high for a minimum time of $2T_C$ (1 microcycle) in order to fetch and execute the next instruction.

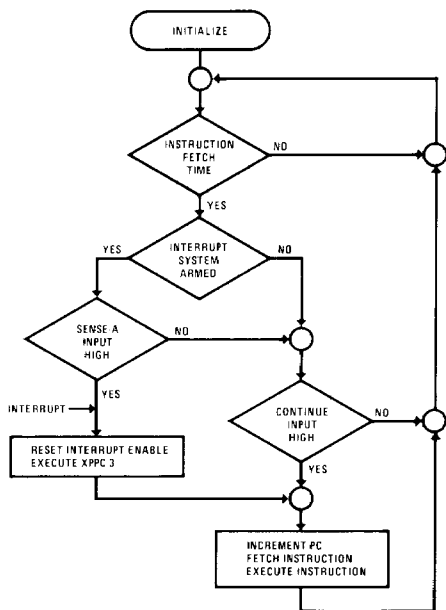


FIGURE 9.

Microprocessor Halt and Interrupt Request Input Processing

Instruction Set

The SC/MP instruction set provides the general-purpose user of microprocessors a powerful programming capability along with above-average flexibility and speed. The instruction set consists of 46 instructions, which comprise

eight general categories. A listing of the complete instruction set is provided in table 2; typical instruction execution times are given in table 3, and notations and symbols used as shorthand expressions of instruction capability are defined in table 4.

ADDRESSING

During execution, instructions and data defined in a program are stored into and loaded from specific memory locations, the accumulator, or selected registers. Because SC/MP, memory (read/write and read-only), and peripherals are on a common data bus, any instruction used to address memory may be used to address the peripherals. The formats of the instruction groups that reference memory are shown below.

7, . . . , 3 2 1, 0	7, 0	
opcode m ptr	disp	Memory Reference Instructions
opcode ptr	disp	Memory Increment/Decrement Instructions and Transfer Instructions

Memory-reference instructions use the PC-relative, indexed, or auto-indexed methods of addressing memory. The memory-increment/decrement instructions and the transfer instructions use the PC-relative or indexed methods of addressing.

The various methods of addressing memory and peripherals are shown below.

Immediate addressing is an addressing format specific to the immediate instruction group.

Type of Addressing	Operand Formats		
	m	ptr	disp
PC-relative	0	0	-128 to +127
Indexed	0	1, 2, or 3	-128 to +127
Immediate	1	0	-128 to +127
Auto-indexed	1	1, 2, or 3	-128 to +127

For PC-relative, indexed, and auto-indexed memory-reference instructions, another feature of the addressing architecture is that the contents of the extension register are substituted for the displacement if the instruction displacement equals -128 (-X'80).

NOTE:

All arithmetic operations associated with address formation affect only the 12 low-order address bits; no carry is provided to the 4 high-order bits. For systems employing memories of 4k or less, the high-order bits can be ignored as they are set to 0000 following initialization. For systems employing larger memories, the high-order bits must be set to the starting address of the desired 4k block of memory. For example:

0001₂ enables memory locations 1000₁₆ - 1FFF₁₆ to be addressed.

0010₂ enables memory locations 2000₁₆ - 2FFF₁₆ to be addressed and so forth.

PC-Relative Addressing — A PC-relative address is formed by adding the displacement value specified in the operand field of the instruction to the current contents of the program counter. The displacement is an 8-bit twos-

complement number, so the range of the PC-relative addressing format is -128_{10} to $+127_{10}$ locations from the current contents of the program counter.

Immediate Addressing — Immediate addressing uses the value in the second byte of a double-byte instruction as the operand for the operation to be performed (see below).

For example, compare a Load (LD) instruction to a Load Immediate (LDI) instruction. The Load instruction uses the contents of the second byte of the instruction in computing the effective address of the data to be loaded. The Load Immediate instruction uses the contents of the second byte as the data to be loaded.

Indexed Addressing — Indexed addressing enables the programmer to address any location in memory through the use of the pointer register and the displacement. When indexed addressing is specified in an instruction, the contents of the designated pointer register are added to the displacement to form the effective address. The contents of the pointer register are not modified by indexed addressing.

Auto-Indexed Addressing — Auto-indexed addressing provides the same capabilities as indexed addressing along with the ability to increment or decrement the

designated pointer register by the value of the displacement. If the displacement is less than zero, the pointer register is decremented by the displacement before the contents of the effective address are fetched or stored. If the displacement is equal to or greater than zero, the pointer register is used as the effective address, and the pointer register is incremented by the displacement after the contents of the effective address are fetched or stored.

System Implementation

Figures 10 through 12 illustrate typical SC/MP system configurations. In figure 10, SC/MP is shown interconnected to three memory devices to form a stand-alone 4-device system that provides 256 words of read/write memory and 2,048 words for program storage. Figure 11 shows SC/MP interconnected to an external controller for Direct Memory Access (DMA) operation, and figure 12 illustrates a multiprocessor application using SC/MP's built-in logic to control bus access.

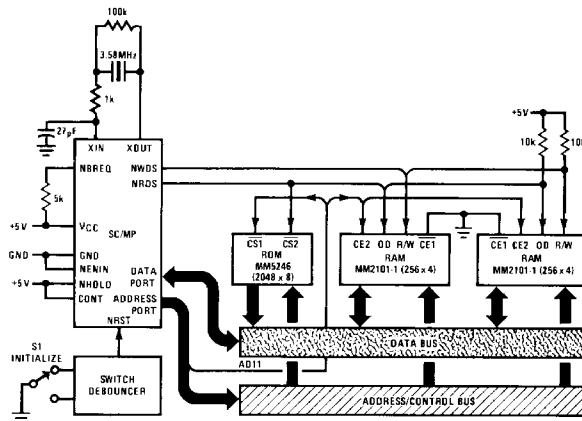


FIGURE 10. INS8060 Four-Chip System

NOTE: PART NUMBERS ARE SHOWN ONLY FOR INFORMATION PURPOSES. OTHER MEMORY COMPONENTS WITH SUITABLE CHARACTERISTICS CAN BE USED.

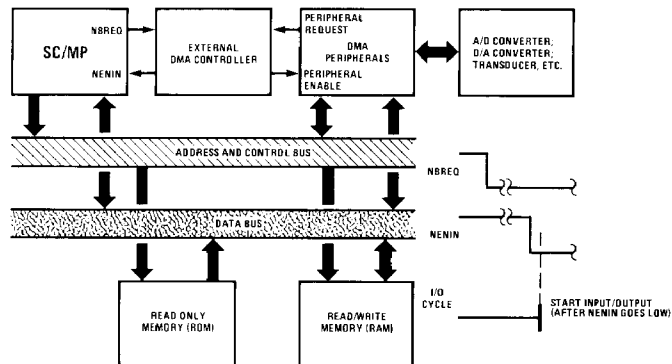


FIGURE 11. INS8060 Interconnected for Direct Memory Access (DMA) Operation

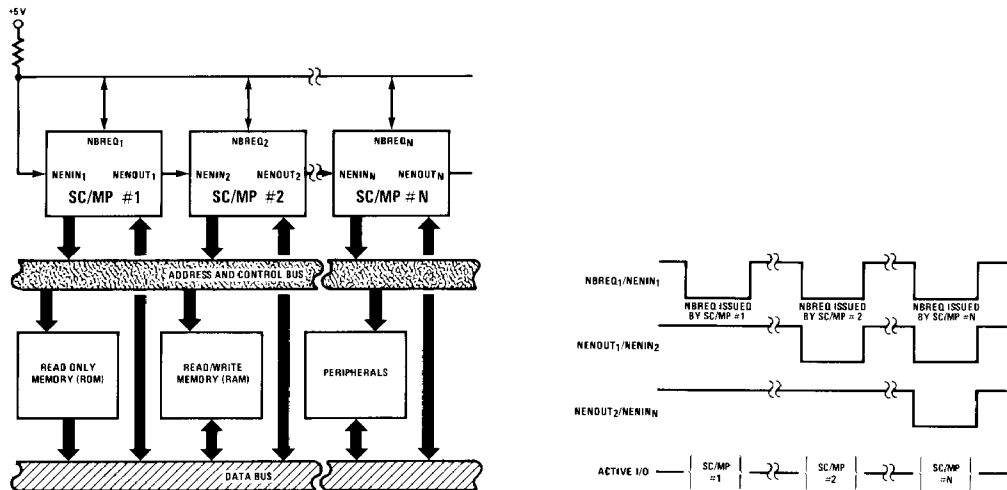


FIGURE 12. Multiprocessor System Using SC/MP-II Built-in Logic for Bus Control

TABLE 2. Bus Utilization of Each Instruction

INSTRUCTION ↓	TIME IN MICROSECONDS																										
	0	1	2	3	4	5	6	7	8	9	10	11	12	13	14	15	16	17	18	19	20	21	22	23	24	25	26
SCL, CCL, CSA, RR, RRL, SR, SRL, and SIO																											
LDE, ANE, ORE, XRE, CAS, IEN, and DINT																											
XAE, XPPC, and ADE																											
CAE, XPAH, and XPAL																											
DAE																											
HALT																											
JP, JZ, and JNZ (No jump)																											
JMP, JP, JZ, and JNZ (Do jump)																											
ADI																											
LDI, ANI, ORI, and XRI																											
CAI																											
DAI																											
ST																											
LD, AND, OR, XOR																											
ADD																											
CAD																											
DAD																											
DLD and ILD																											
DLY (minimum)																											

LEGEND:

- BUS UTILIZATION INTERVAL
- READ CYCLE WITH H-FLAG OUTPUT
- OPERAND STORE
- BUS NOT RELEASED DURING THIS TIME

TABLE 3. SC/MP Instruction Summary

DOUBLE-BYTE INSTRUCTIONS

MNEMONIC	DESCRIPTION	OBJECT FORMAT	OPERATION	MICRO-CYCLES
Memory Reference Instructions				
LD	Load	7 6 5 4 3 2 1 0 7 6 5 4 3 2 1 0 1 1 0 0 0 ptr disp	(AC) \leftarrow (EA)	18
ST	Store	1 1 0 0 1	(EA) \leftarrow (AC)	18
AND	AND	1 1 0 1 0	(AC) \leftarrow (AC) \wedge (EA)	18
OR	OR	1 1 0 1 1	(AC) \leftarrow (AC) \vee (EA)	18
XOR	Exclusive-OR	1 1 1 0 0	(AC) \leftarrow (AC) \oplus (EA)	18
DAD	Decimal Add	1 1 1 0 1	(AC) \leftarrow (AC) $_{10}$ + (EA) $_{10}$ + (CY/L);(CY/L)	23
ADD	Add	1 1 1 1 0	(AC) \leftarrow (AC) + (EA) + (CY/L);(CY/L);(OV)	19
CAD	Complement and Add	1 1 1 1 1	(AC) \leftarrow (AC) + \sim (EA) + (CY/L);(CY/L);(OV)	20
Memory Increment/Decrement Instructions				
ILD	Increment and Load	7 6 5 4 3 2 1 0 7 6 5 4 3 2 1 0 1 0 1 0 1 0 ptr disp	(AC), (EA) \leftarrow (EA) + 1	22
DLD	Decrement and Load	1 0 1 1 1 0	(AC), (EA) \leftarrow (EA) - 1	22
Immediate Instructions				
LDI	Load Immediate	7 6 5 4 3 2 1 0 7 6 5 4 3 2 1 0 1 1 0 0 0 1 0 0 data	(AC) \leftarrow data	10
ANI	AND Immediate	1 1 0 1 0 1 0 0	(AC) \leftarrow (AC) \wedge data	10
ORI	OR Immediate	1 1 0 1 1 1 0 0	(AC) \leftarrow (AC) \vee data	10
XRI	Exclusive-OR Immediate	1 1 1 0 0 1 0 0	(AC) \leftarrow (AC) \oplus data	10
DAI	Decimal Add Immediate	1 1 1 0 1 1 0 0	(AC) \leftarrow (AC) $_{10}$ + data $_{10}$ + (CY/L);(CY/L)	15
ADI	Add Immediate	1 1 1 1 0 1 0 0	(AC) \leftarrow (AC) + data + (CY/L);(CY/L);(OV)	11
CAI	Complement and Add Immediate	1 1 1 1 1 1 0 0	(AC) \leftarrow (AC) + \sim data + (CY/L);(CY/L);(OV)	12
Transfer Instructions				
JMP	Jump	7 6 5 4 3 2 1 0 7 6 5 4 3 2 1 0 1 0 0 1 0 0 ptr disp	(PC) \leftarrow EA	11
JP	Jump if Positive	1 0 0 1 0 1	If (AC) \geq 0, (PC) \leftarrow EA	9, 11
JZ	Jump if Zero	1 0 0 1 1 0	If (AC) = 0, (PC) \leftarrow EA	9, 11
JNZ	Jump if Not Zero	1 0 0 1 1 1	If (AC) \neq 0, (PC) \leftarrow EA	9, 11
Double-Byte Miscellaneous Instructions				
DLY	Delay	7 6 5 4 3 2 1 0 7 6 5 4 3 2 1 0 1 0 0 0 1 1 1 1 disp	count AC to -1, delay = 13 + 2(AC) + 2 disp + 2 ⁹ disp microcycles	13 to 131,593

SINGLE-BYTE INSTRUCTIONS

MNEMONIC	DESCRIPTION	OBJECT FORMAT	OPERATION	MICRO-CYCLES
Extension Register Instructions				
LDE	Load AC from Extension	7 6 5 4 3 2 1 0 0 1 0 0 0 0 0 0	(AC) \leftarrow (E)	6
XAE	Exchange AC and Extension	0 0 0 0 0 0 0 1	(AC) \leftrightarrow (E)	7
ANE	AND Extension	0 1 0 1 0 0 0 0	(AC) \leftarrow (AC) \wedge (E)	6
ORE	OR Extension	0 1 0 1 1 0 0 0	(AC) \leftarrow (AC) \vee (E)	6
XRE	Exclusive-OR Extension	0 1 1 0 0 0 0 0	(AC) \leftarrow (AC) \oplus (E)	6
DAE	Decimal Add Extension	0 1 1 0 1 0 0 0	(AC) \leftarrow (AC) $_{10}$ + (E) $_{10}$ + (CY/L);(CY/L)	11
ADE	Add Extension	0 1 1 1 0 0 0 0	(AC) \leftarrow (AC) + (E) + (CY/L);(CY/L);(OV)	7
CAE	Complement and Add Extension	0 1 1 1 1 0 0 0	(AC) \leftarrow (AC) + \sim (E) + (CY/L);(CY/L);(OV)	8
Pointer Register Move Instructions				
XPAL	Exchange Pointer Low	7 6 5 4 3 2 1 0 0 0 1 1 0 0 ptr	(AC) \leftrightarrow (PTR _{7:0})	8
XPAH	Exchange Pointer High	0 0 1 1 0 1	(AC) \leftrightarrow (PTR _{15:8})	8
XPPC	Exchange Pointer with PC	0 0 1 1 1 1	(PC) \leftrightarrow (PTR)	7
Shift, Rotate, Serial I/O Instructions				
SIO	Serial Input/Output	0 0 0 1 1 0 0 1	(E _i) \leftrightarrow (E _{i+1}), SIN \rightarrow (E ₇), (E ₀) \rightarrow SOUT	5
SR	Shift Right	0 0 0 1 1 1 0 0	(AC) _i \leftarrow (AC) _{i-1} , 0 \rightarrow (AC) ₇	5
SRL	Shift Right with Link	0 0 0 1 1 1 0 1	(AC) _i \leftarrow (AC) _{i-1} , (CY/L) \rightarrow (AC) ₇	5
RR	Rotate Right	0 0 0 1 1 1 1 0	(AC) _i \leftarrow (AC) _{i-1} , (AC) ₀ \rightarrow (AC) ₇	5
RRL	Rotate Right with Link	0 0 0 1 1 1 1 1	(AC) _i \leftarrow (AC) _{i-1} , (AC) ₀ \rightarrow (CY/L) \rightarrow (AC) ₇	5
Single-Byte Miscellaneous Instructions				
HALT	Halt	0 0 0 0 0 0 0 0	Pulse H-flag	8
CCL	Clear Carry Link	0 0 0 0 0 0 1 0	(CY/L) \leftarrow 0	5
SCL	Set Carry Link	0 0 0 0 0 0 1 1	(CY/L) \leftarrow 1	5
DINT	Disable Interrupt	0 0 0 0 0 1 0 0	(IE) \leftarrow 0	6
IEN	Enable Interrupt	0 0 0 0 0 1 0 1	(IE) \leftarrow 1	6
CSA	Copy Status to AC	0 0 0 0 0 1 1 0	(AC) \leftarrow (SR)	5
CAS	Copy AC to Status	0 0 0 0 0 1 1 1	(SR) \leftarrow (AC)	6
NOP	No Operation	0 0 0 0 1 0 0 0	None	5

TABLE 4. Instruction Execution Time

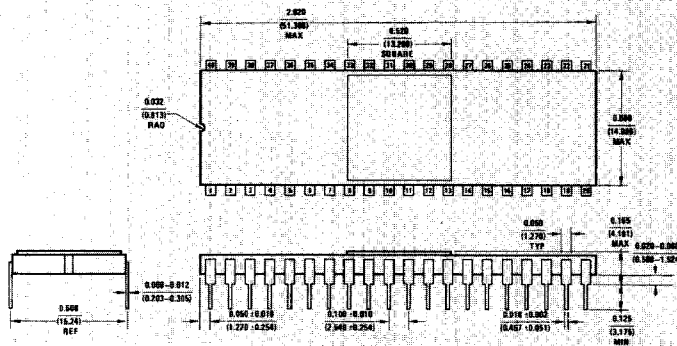
INSTRUCTION	READ CYCLES	WRITE CYCLES	TOTAL MICROCYCLES	INSTRUCTION	READ CYCLES	WRITE CYCLES	MICROCYCLES
ADD	3	0	19	JP	2	0	9, 11 for Jump
ADE	1	0	7	JZ	2	0	9, 11 for Jump
ADI	2	0	11	LD	3	0	18
AND	3	0	18	LDE	1	0	6
ANE	1	0	6	LDI	2	0	10
ANI	2	0	10	NOP	1	0	5
CAD	3	0	20	OR	3	0	18
CAE	1	0	8	ORE	1	0	6
CAI	2	0	12	ORI	2	0	10
CAS	1	0	6	RR	1	0	5
CCL	1	0	5	RRL	1	0	5
CSA	1	0	5	SCL	1	0	5
DAD	3	0	23	SIO	1	0	5
DAE	1	0	11	SR	1	0	5
DAI	2	0	15	SRL	1	0	5
DINT	1	0	6	ST	2	1	18
DLD	3	1	22	XAE	1	0	7
DLY	2	0	13 - 131593	XOR	3	0	18
HALT	2	0	8	XPAH	1	0	8
IEN	1	0	6	XPAL	1	0	8
ILD	3	1	22	XPPC	1	0	7
JMP	2	0	11	XRE	1	0	6
JNZ	2	0	9, 11 for Jump	XRI	2	0	10

Note: If slow memory is being used, the appropriate delay should be added for each read or write cycle.

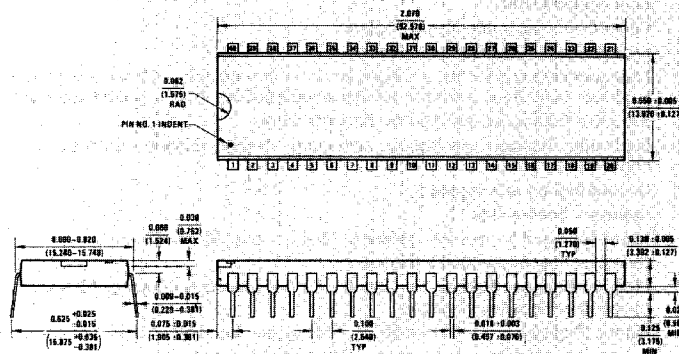
TABLE 5. Symbols and Notations Used to Express Instruction Execution

SYMBOL AND NOTATION	MEANING
AC	8-bit Accumulator.
CY/L	Carry/Link Flag in the Status Register.
data	Signed, 8-bit immediate data field.
disp	Displacement; represents an operand in a nonmemory reference instruction or an address modifier field in a memory reference instruction. It is a signed twos-complement number.
EA	Effective Address as specified by the instruction.
E	Extension Register; provides for temporary storage, variable displacements and separate serial input/output port.
i	Unspecified bit of a register.
IE	Interrupt Enable Flag.
m	Mode bit, used in memory reference instructions. Blank parameter sets m = 0, @ sets m = 1.
OV	Overflow Flag in the Status Register.
PC	Program Counter (Pointer Register 0); during address formation, PC points to the last byte of the instruction being executed.
ptr	Pointer Register (ptr = 0 through 3). The register specified in byte 1 of the instruction.
ptr _{n:m}	Pointer register bits; n:m = 7 through 0 or 15 through 8.
SIN	Serial Input pin.
SOUT	Serial Output pin.
SR	8-bit Status Register.
{ }	Means "contents of." For example, (EA) is contents of Effective Address.
[]	Means optional field in the assembler instruction format.
~	Ones complement of value to right of ~.
→	Means "replaces."
←	Means "is replaced by."
↔	Means "exchange."
@	When used in the operand field of the instruction, sets the mode bit (m) to 1 for auto-incrementing/auto-decrementing indexing.
10 ⁺	Modulo 10 addition.
∧	AND operation.
∨	Inclusive-OR operation.
⊖	Exclusive-OR operation.
≥	Greater than or equal to.
=	Equals.
≠	Does not equal.

Physical Dimensions



40-Lead Ceramic Dual-in-Line Package (D)
NS Package Number D40C



40-Lead Plastic Dual-in-Line Package (N)
NS Package Number N40A

Ordering Information

The SC/MP device may be ordered through the local National Semiconductor sales representative or by contacting our world or international headquarters listed below. The order numbers are as follows:

For an "N" package — INS8060N

For a "D" package — INS8060D

Manufactured under one or more of the following U.S. patents: 3083262, 3189758, 3231797, 3303356, 3317671, 3323071, 3381071, 3408542, 3421025, 3426423, 3440498, 3518750, 3519897, 3557431, 3560785, 3566218, 3571530, 3573609, 3579059, 3593069, 3597640, 3607459, 3617859, 3631312, 3633052, 3638131, 3648071, 3651565, 3693248.

National Semiconductor Corporation

2900 Semiconductor Drive, Santa Clara, California 95051 (408) 737 5000 TWX (910) 339-8240

National Semiconductor GmbH

608 Postfach/Industrie-Strasse 10, West Germany. Tele: (08141) 1371 Telex 06-27649

NS Electronics (HK) Ltd.

4 Hing Yip Street, 11th Floor, Kwun Tong, Kowloon, Hong Kong. Tele: 3-411241-8 Telex 73866 NSE HK HX

NS International Inc.

Miyake Bldg 6F, 1-9 Yotsuya, Shinjuku-Ku, Tokyo 160, Japan. Tele: 03-355-3711 Telex J28592

NS Electronics Pty. Ltd.

CNR-Stop Road & Murrumbidgee Highway, Bayswater, Victoria 3153, Australia. Tele: 03-729-6333 Telex 32096

