

## ■ MB85101A-10, MB85101A-12, MB85101A-15 MOS 65,536 x 4-Bit Dynamic RAM Module

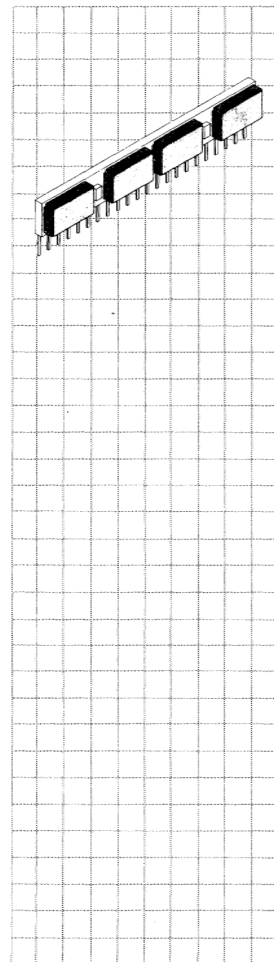
### Description

The Fujitsu MB85101A is a 64K x 4 dynamic RAM high density memory module. It consists of four MB8264A DRAMs in 18-pad LCC packages mounted on a 22-pin multilayer ceramic substrate.

The MB85101A is intended for use in memory applications in which large amounts of memory are required in a compact space or in which board space is limited. Significant size reduction can be realized in applications such as mainframe memory, buffer memory, desktop computers and peripheral storage.

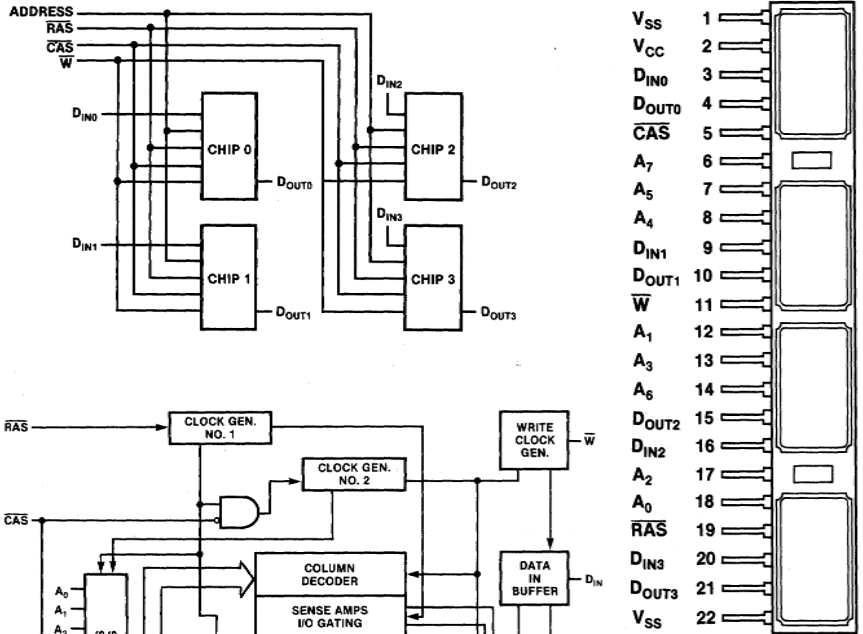
### Features

- 65,536 x 4-bit DRAM module
- Row Access Time
  - 100 ns max. (MB85101A-10)
  - 120 ns max. (MB85101A-12)
  - 150 ns max. (MB85101A-15)
- Cycle Time
  - 200 ns min. (MB85101A-10)
  - 230 ns min. (MB85101A-12)
  - 260 ns min. (MB85101A-15)
- Single +5 V supply,  $\pm 10\%$  tolerance
- Low power (active)
  - 1100 mW max. (MB85101A-10)
  - 990 mW max. (MB85101A-12)
  - 880 mW max. (MB85101A-15)
  - 88 mW max. (standby)
- 2 ms/128 cycle refresh
- RAS-only and Hidden refresh capability
- Read-Modify-Write and Page Mode capability
- Common I/O capability using Early Write operation
- Output unlatched at cycle end allows extended page boundary and two dimensional chip selects.
- On-chip latches for Addresses and Data-in

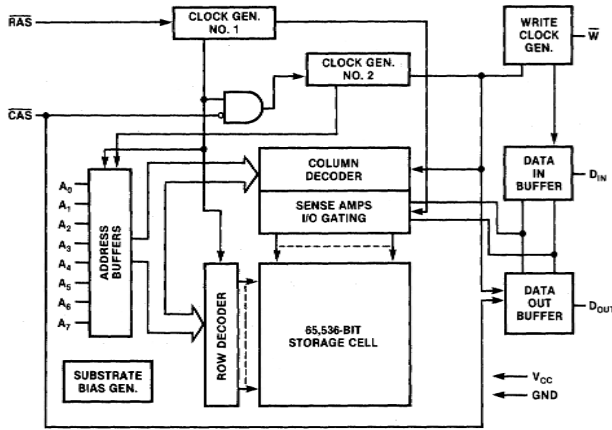


MB85101A-10  
 MB85101A-12  
 MB85101A-15

**MB85101 Block Diagram and Pin Assignment**

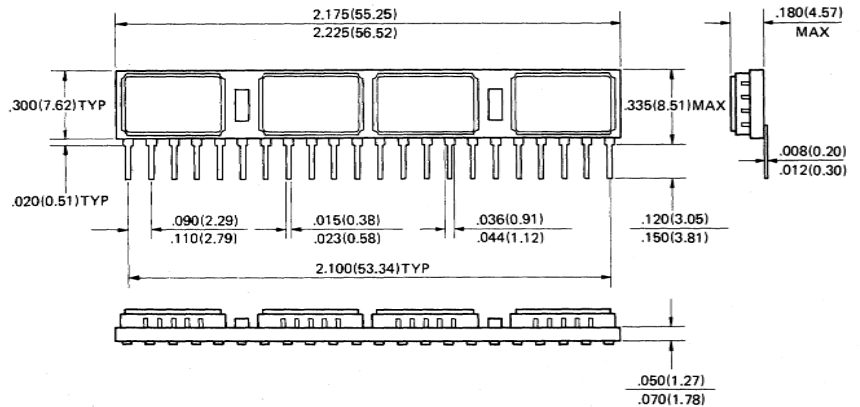


**Block Diagram for Each Chip**



**Package Dimensions**  
 Dimensions in inches  
 (millimeters)

**22-Lead Single In-Line Package**  
 (Module MDL-22S-CC01)



FUJITSU