



EMULATION TECHNOLOGY, INC.

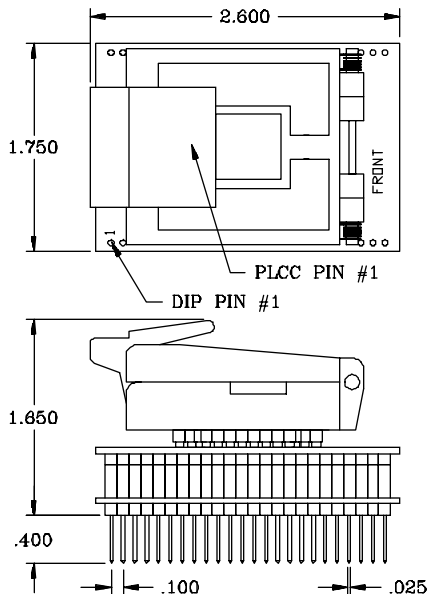
Specification Number: M3828

# PROGRAMMING ADAPTER SPECIFICATION

Item: 684804P600-YAM  
Description: AS-68-48-04P-6YAM

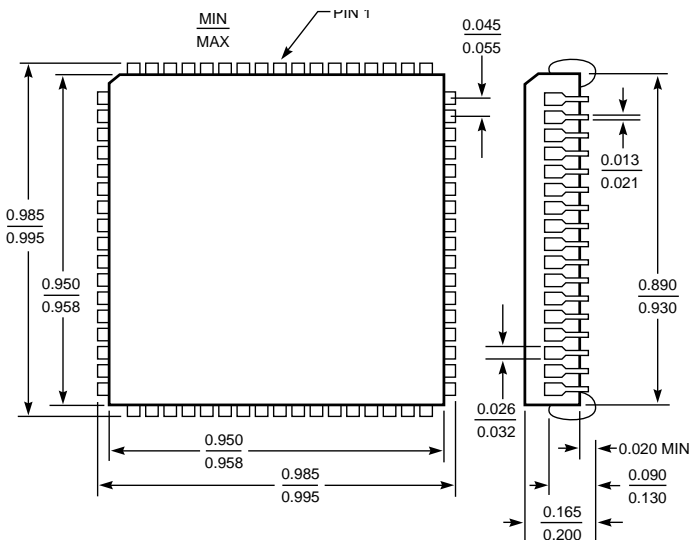
**REPLACEMENT SOCKET: S-PCC-00-068-B**  
Call Emulation Technology for a replacement socket price and delivery quote.

**TYPICAL DIMENSIONS:**  
Note: DIP base is .600" wide



All Dimensions in Inches. (Assembly Drawing: F3828)

## PACKAGE SPECIFICATIONS:



All Dimensions in Inches.

ET Footprint Code: 068-PCC1

## CONNECTION TABLE:

68-Lead PLCC SOCKET	PIN/Signal Names*	48-Pin DIP Base	68-Lead PLCC SOCKET	PIN/Signal Names*	48-Pin DIP Base
1	V <sub>DD</sub>	14	44	PF1	-
2	PA7	1	45	PF0	-
3	PA6	2	46	PC0	24
4	PA5	3	47	PC1	25
5	PA4	4	48	PC2	26
6	PA3	5	49	PC3	27
7	PA2	6	50	PC4	28
8	PA1	7	51	PC5	29
9	PA0	8	52	PC6	30
10	PB7	-	53	PC7	31
11	PB6	-	54	E	-
12	PB5	-	55	XOUT	-
13	PB4	-	56	EXTAL	32
14	PB3	-	57	XTAL	33
15	PB2	-	58	RESET	34
16	PB1	-	59	MODB	35
17	PB0	-	60	MODA	36
18	PH0	-	61	PD0	38
19	PH1	-	62	PD1	39
20	PH2	-	63	PD2	-
21	PH3	-	64	PD3	-
22	X <sub>IRQ</sub>	9	65	PD4	-
23	PG7	-	66	PD5	-
24	IRQ	10	67	V <sub>SS</sub>	37
25	AV <sub>DD</sub>	14	68	V <sub>DD</sub>	44
26	PE7	11			
27	PE6	12			
28	PE5	13			
29	PE4	15			
30	PE3	16			
31	PE2	17			
32	PE1	18			
33	PE0	21			
34	V <sub>RL</sub>	20			
35	V <sub>RH</sub>	19			
36	AV <sub>SS</sub>	22			
37	V <sub>SS</sub>	23			
38	PF7	-			
39	PF6	-			
40	PF5	-			
41	PF4	-			
42	PF3	-			
43	PF2	-			

Note: \* The PIN/Signal Names are for the Motorola 68HC11KA4.

## Compatible PLCC devices:

68HC11KA4  
68HC711KA4  
68HC711KA2

## Manufacturer:

Motorola

## Programmers:

Data IO: ChipLab  
Emulation Technology, Inc.: ET-PIC 4000



EMULATION TECHNOLOGY, INC.

2344 WALSH AVENUE • BUILDING F  
SANTA CLARA, CA 95051-1301  
TEL 408 / 982.0660 • FAX 408 / 982.0664