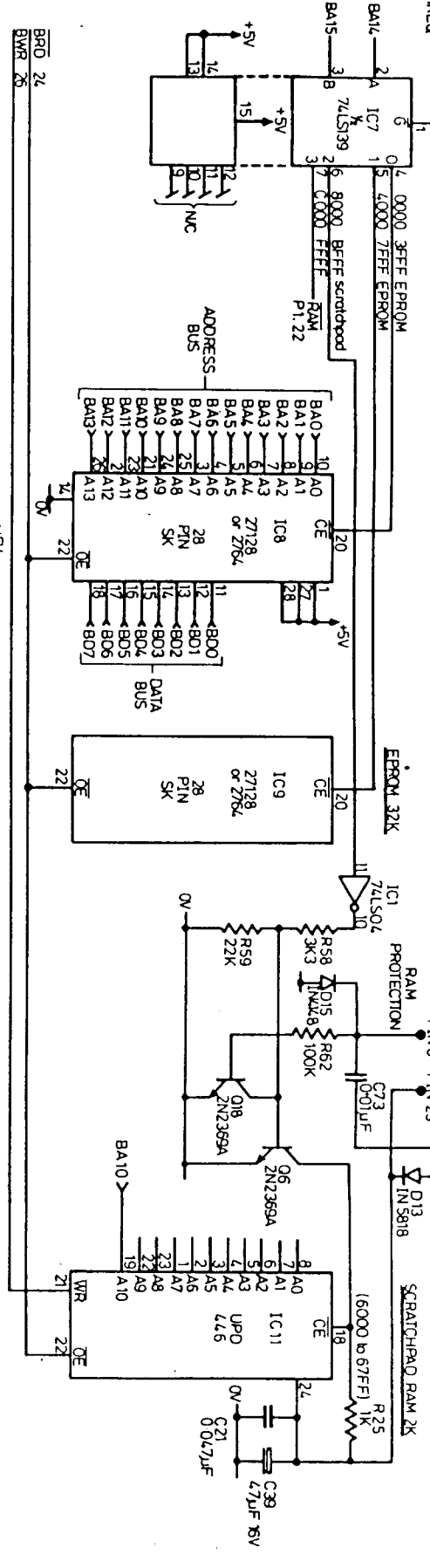


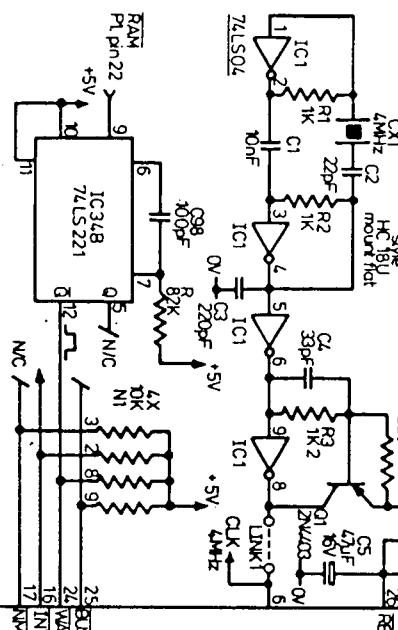
E/B SERIES PROGRAMMER CIRCUIT	
C.P.U. CIRCUIT	
DRAWN	ELAN DIGITAL
ISSUE	SYSTEMS LTD.
DRGN No	326/11

PORT 20 INPUT	
1	5V
2	5V
3	5V
4	5V
5	5V
6	5V
7	5V
8	5V
9	5V
10	5V
11	5V
12	5V
13	5V
14	5V
15	5V
16	5V
17	5V
18	5V
19	5V
20	5V
21	5V
22	5V
23	5V
24	5V
25	5V
26	5V
27	5V
28	5V
29	5V
30	5V
31	5V
32	5V
33	5V
34	5V
35	5V
36	5V
37	5V
38	5V
39	5V
40	5V
41	5V
42	5V
43	5V
44	5V
45	5V
46	5V
47	5V
48	5V
49	5V
50	5V
PORT 20 OUTPUT	
1	5V
2	5V
3	5V
4	5V
5	5V
6	5V
7	5V
8	5V
9	5V
10	5V
11	5V
12	5V
13	5V
14	5V
15	5V
16	5V
17	5V
18	5V
19	5V
20	5V
21	5V
22	5V
23	5V
24	5V
25	5V
26	5V
27	5V
28	5V
29	5V
30	5V
31	5V
32	5V
33	5V
34	5V
35	5V
36	5V
37	5V
38	5V
39	5V
40	5V
41	5V
42	5V
43	5V
44	5V
45	5V
46	5V
47	5V
48	5V
49	5V
50	5V

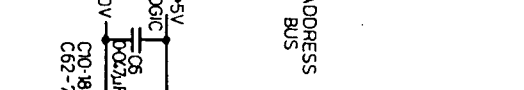
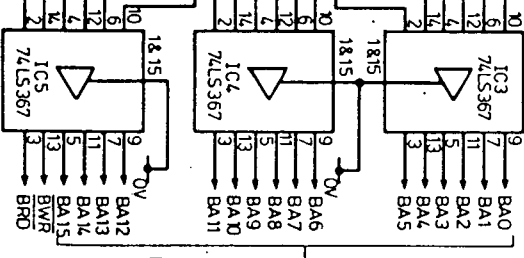
ADDRESS SECTOR DECODER



CLOCK CIRCUIT



BUFFERES



PORT 20 INPUT

PORT 20 OUTPUT

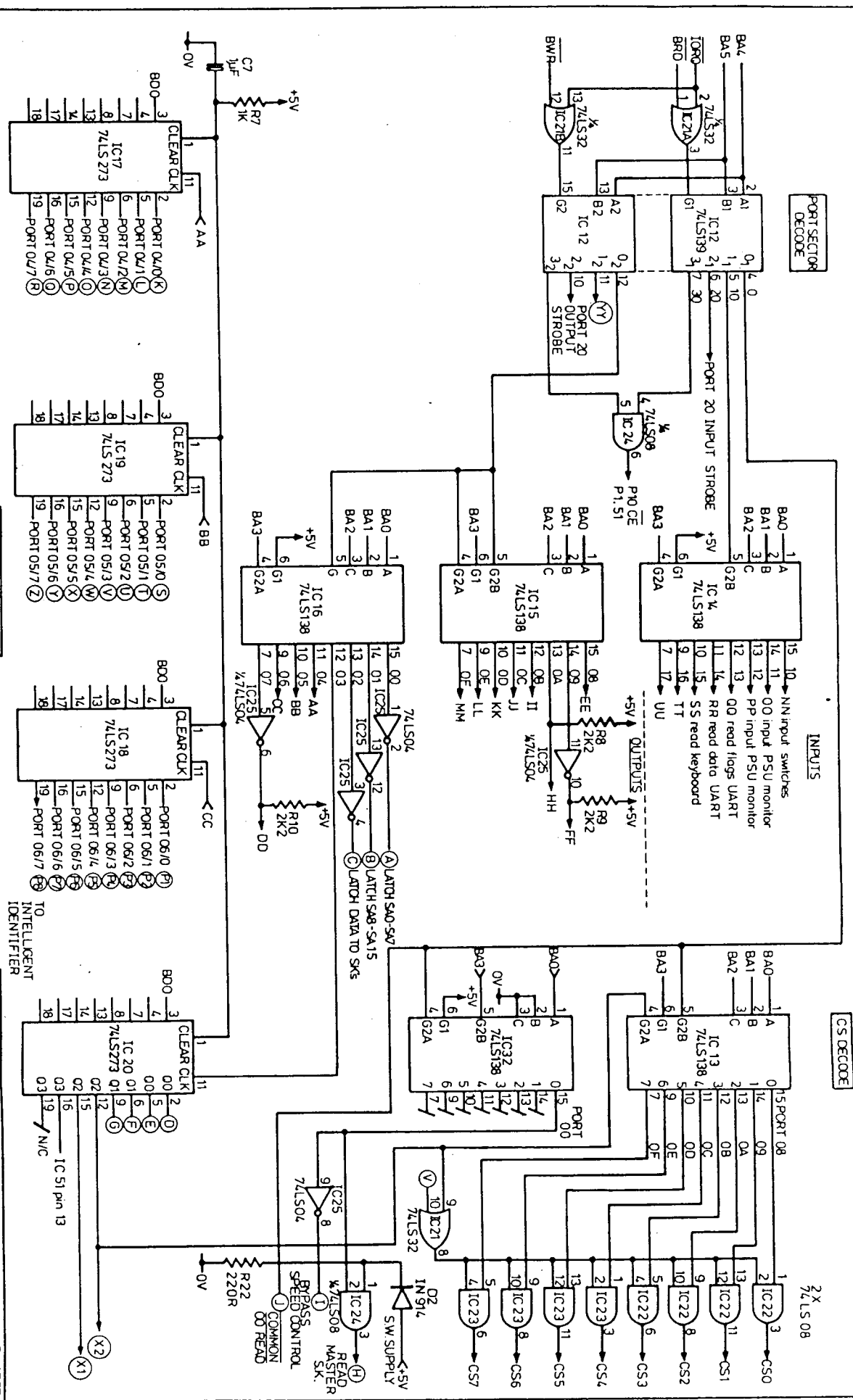
E/B SERIES PROGRAMMER CIRCUIT

C.P.U. CIRCUIT

DRAWN ELAN DIGITAL

ISSUE SYSTEMS LTD.

DRGN No 326/11

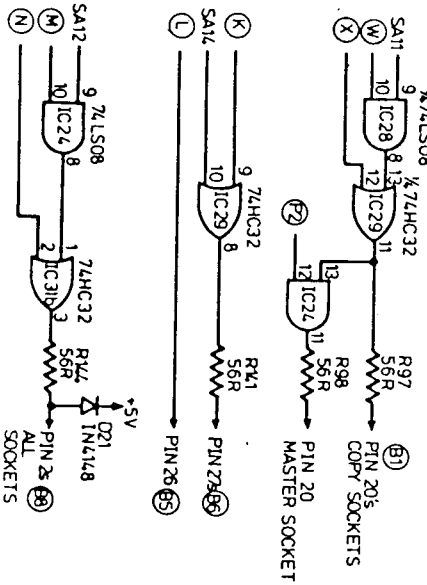
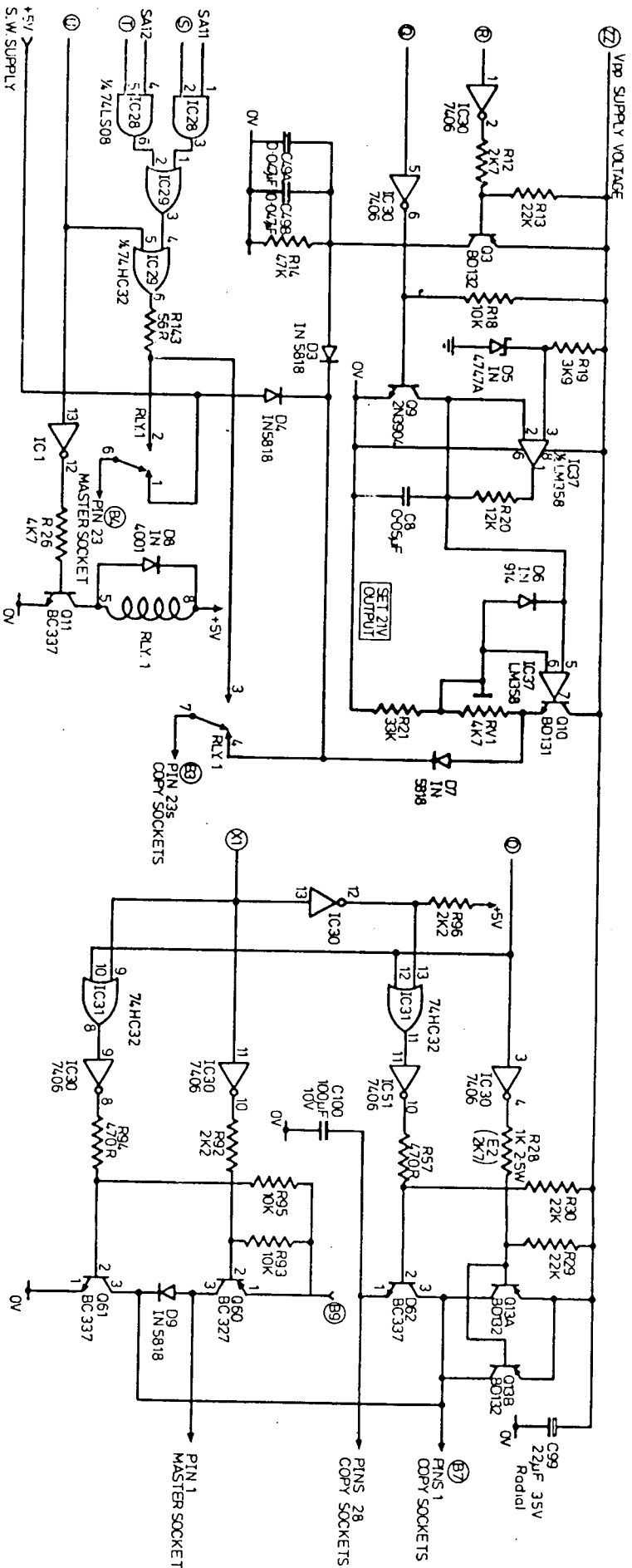


E/B SERIES PROGRAMMER CIRCUIT
PORT & CS DECODE CIRCUITS

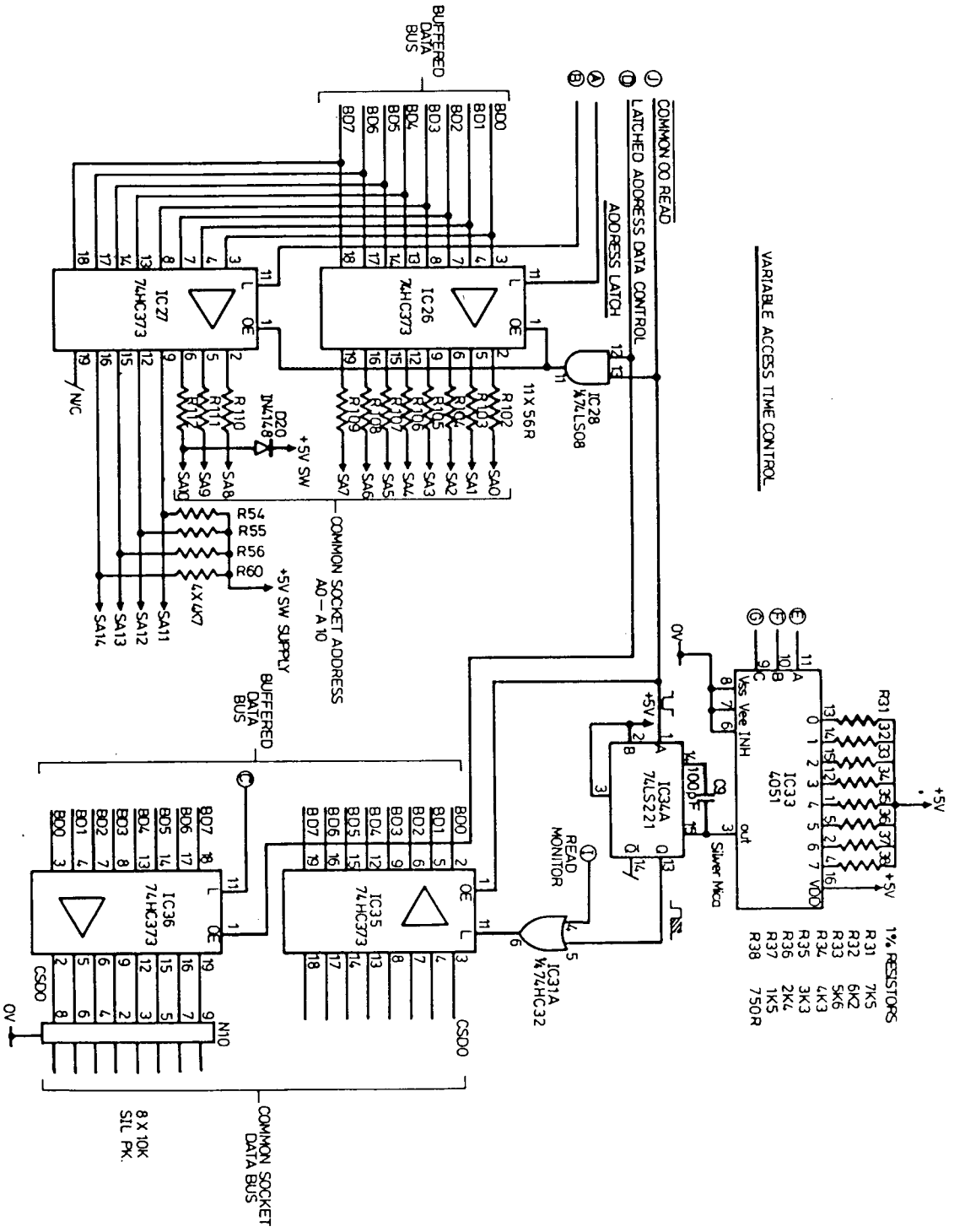
DRAWN	ISSUE	DRG N°
ELAN DIGITAL	2	326/2
SYSTEMS LTD.		

E3 Vpp WAVE SHAPER

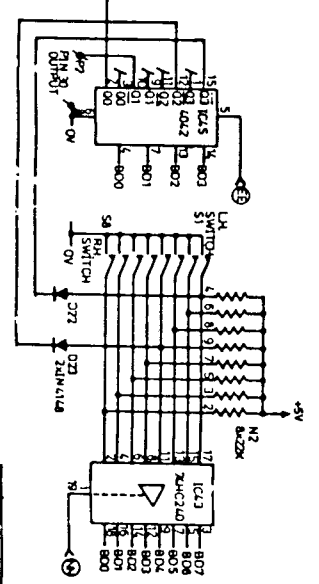
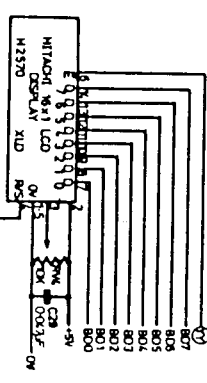
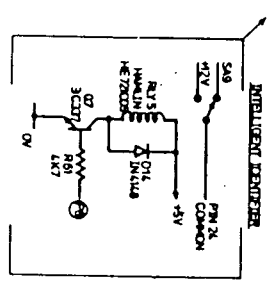
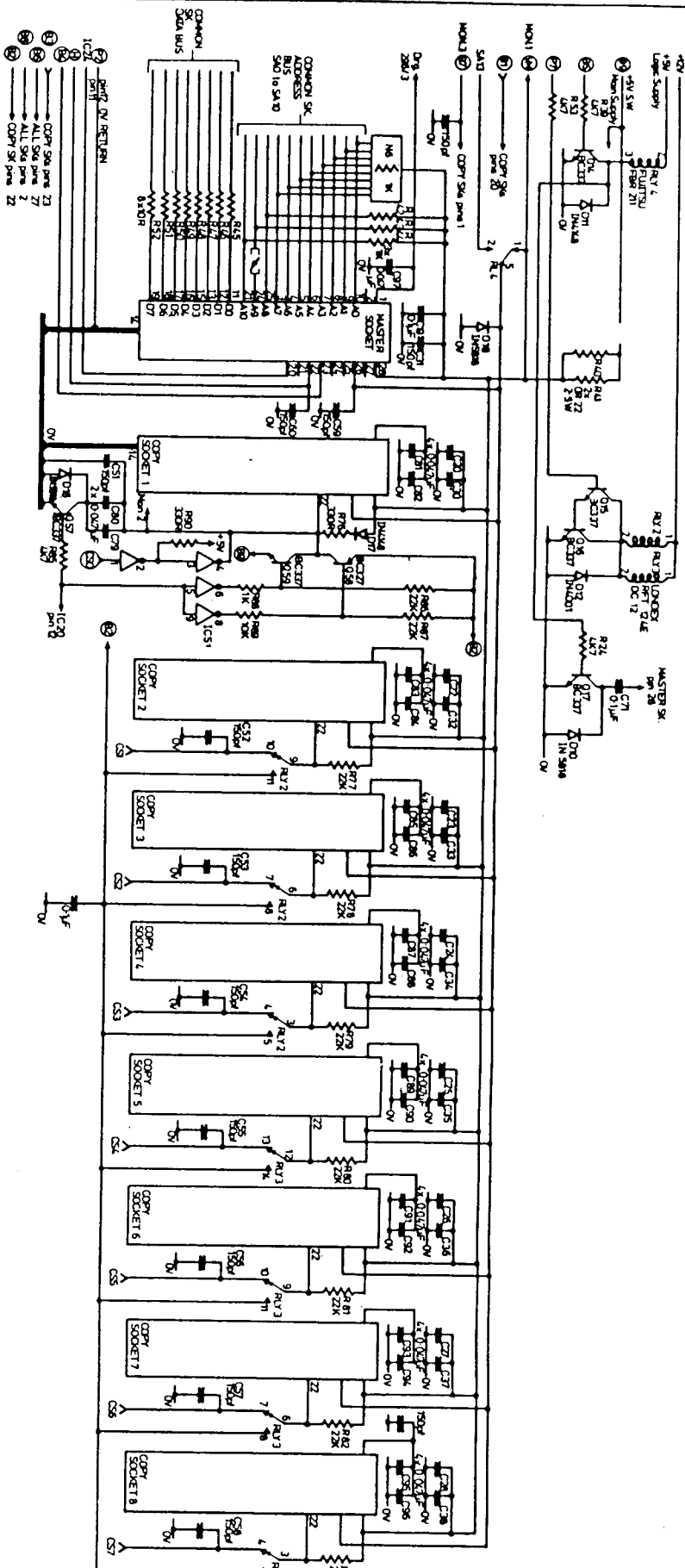
LEVEL SHIFTERS / SWITCHING CIRCUITRY



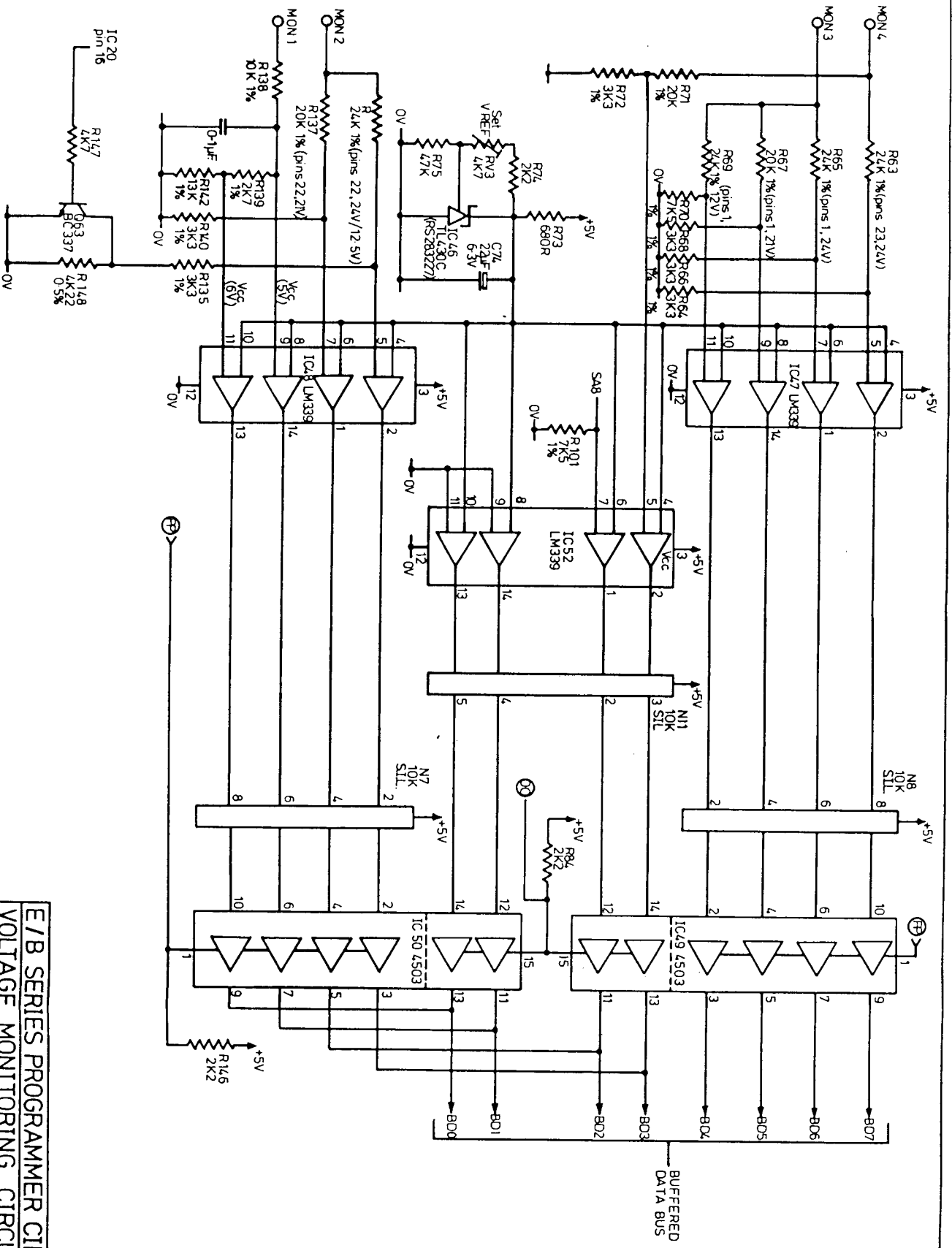
E/B SERIES PROGRAMMER CIRCUIT	
LEVEL SHIFTING CIRCUITS	
DRAWN	ELAN DIGITAL
ISSUE	SYSTEMS LTD
1	
DRG N°	326/3d



E/B SERIES PROGRAMMER CIRCUIT	
ADDRESS LATCH & DYNAMIC ACCESS	
DRAWN	ELAN DIGITAL
ISSUE	SYSTEMS LTD
DRG No	326/3b

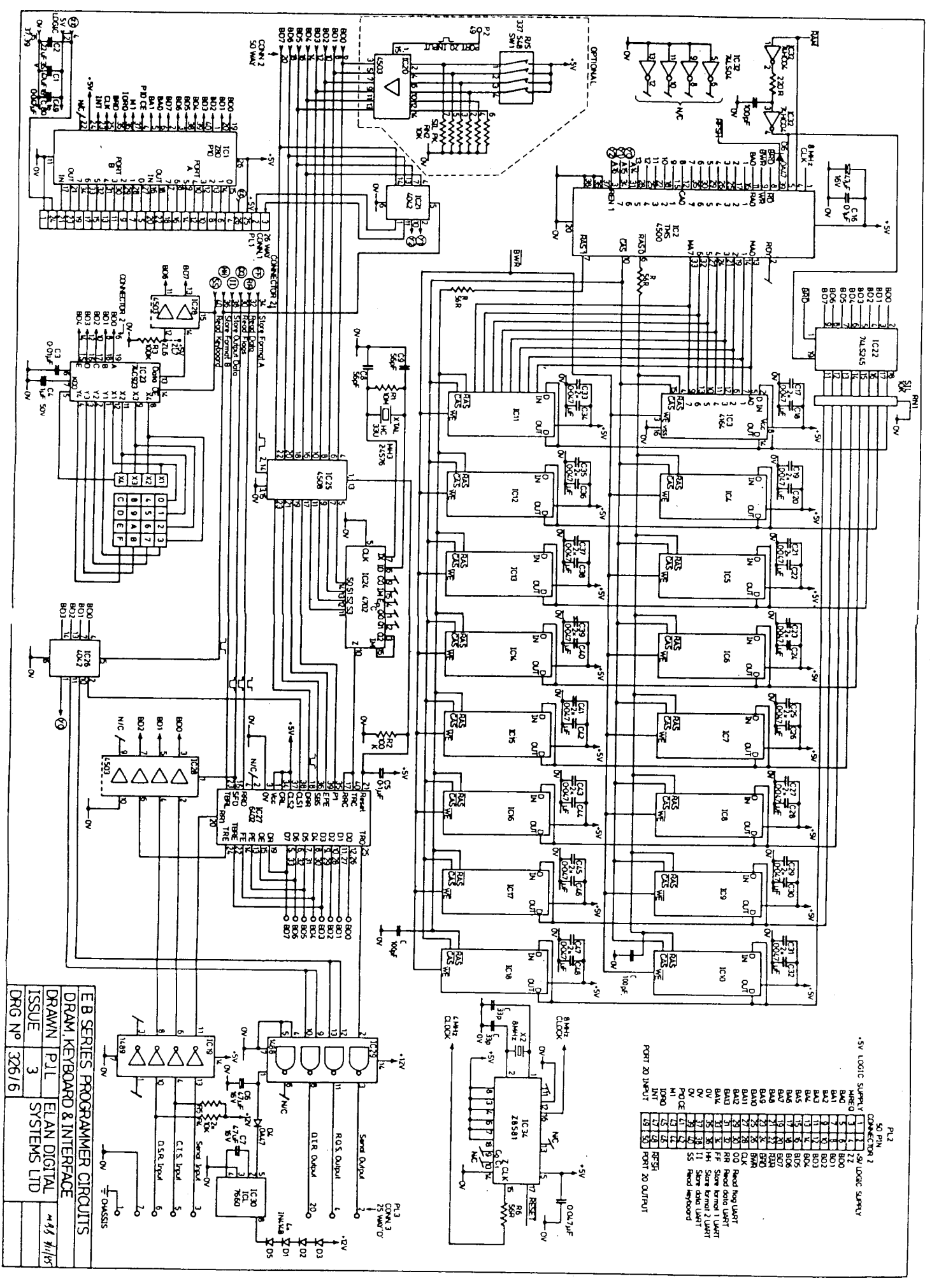


E/B SERIES PROGRAMMER CIRCUITS	
MASTER/COPY SKT & DISPLAY CIRCUITS	
DRAWN	ELAN DIGITAL
ISSUE 2	SYSTEMS LTD
DRG NO 326/L	



**E/B SERIES PROGRAMMER CIRCUIT
VOLTAGE MONITORING CIRCUIT**

DRAWN	922	ELAN DIGITAL
ISSUE	4	SYSTEMS LTD.
DRG No	326/5	



P1.2
50 PIN
CONNECTION 2

1	2	3	4	5	6	7	8	9	10
11	12	13	14	15	16	17	18	19	20
21	22	23	24	25	26	27	28	29	30
31	32	33	34	35	36	37	38	39	40
41	42	43	44	45	46	47	48	49	50

P1.3
25 PIN
CONN 3

1	2	3	4	5	6	7	8	9	10
11	12	13	14	15	16	17	18	19	20
21	22	23	24	25					

P1.4
25 PIN
CONN 4

1	2	3	4	5	6	7	8	9	10
11	12	13	14	15	16	17	18	19	20
21	22	23	24	25					

P1.5
25 PIN
CONN 5

1	2	3	4	5	6	7	8	9	10
11	12	13	14	15	16	17	18	19	20
21	22	23	24	25					

PORT 20 INPUT

1	2	3	4	5	6	7	8	9	10
11	12	13	14	15	16	17	18	19	20
21	22	23	24	25					

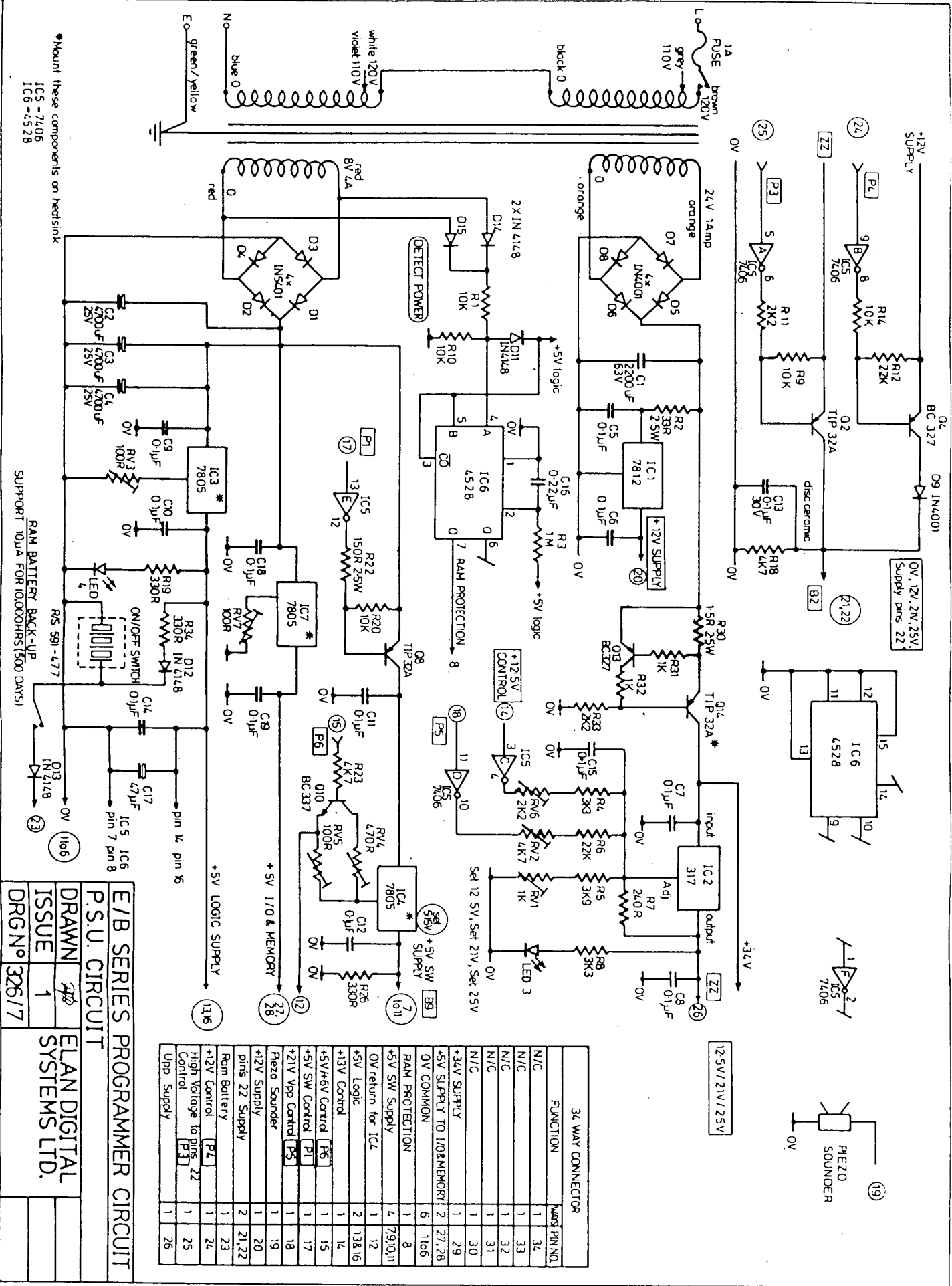
PORT 20 OUTPUT

1	2	3	4	5	6	7	8	9	10
11	12	13	14	15	16	17	18	19	20
21	22	23	24	25					

Legend:

- 1-50: +5V LOGIC SUPPLY
- 51-100: +5V LOGIC SUPPLY
- 101-150: +5V LOGIC SUPPLY
- 151-200: +5V LOGIC SUPPLY
- 201-250: +5V LOGIC SUPPLY
- 251-300: +5V LOGIC SUPPLY
- 301-350: +5V LOGIC SUPPLY
- 351-400: +5V LOGIC SUPPLY
- 401-450: +5V LOGIC SUPPLY
- 451-500: +5V LOGIC SUPPLY
- 501-550: +5V LOGIC SUPPLY
- 551-600: +5V LOGIC SUPPLY
- 601-650: +5V LOGIC SUPPLY
- 651-700: +5V LOGIC SUPPLY
- 701-750: +5V LOGIC SUPPLY
- 751-800: +5V LOGIC SUPPLY
- 801-850: +5V LOGIC SUPPLY
- 851-900: +5V LOGIC SUPPLY
- 901-950: +5V LOGIC SUPPLY
- 951-1000: +5V LOGIC SUPPLY
- 1001-1050: +5V LOGIC SUPPLY
- 1051-1100: +5V LOGIC SUPPLY
- 1101-1150: +5V LOGIC SUPPLY
- 1151-1200: +5V LOGIC SUPPLY
- 1201-1250: +5V LOGIC SUPPLY
- 1251-1300: +5V LOGIC SUPPLY
- 1301-1350: +5V LOGIC SUPPLY
- 1351-1400: +5V LOGIC SUPPLY
- 1401-1450: +5V LOGIC SUPPLY
- 1451-1500: +5V LOGIC SUPPLY
- 1501-1550: +5V LOGIC SUPPLY
- 1551-1600: +5V LOGIC SUPPLY
- 1601-1650: +5V LOGIC SUPPLY
- 1651-1700: +5V LOGIC SUPPLY
- 1701-1750: +5V LOGIC SUPPLY
- 1751-1800: +5V LOGIC SUPPLY
- 1801-1850: +5V LOGIC SUPPLY
- 1851-1900: +5V LOGIC SUPPLY
- 1901-1950: +5V LOGIC SUPPLY
- 1951-2000: +5V LOGIC SUPPLY
- 2001-2050: +5V LOGIC SUPPLY
- 2051-2100: +5V LOGIC SUPPLY
- 2101-2150: +5V LOGIC SUPPLY
- 2151-2200: +5V LOGIC SUPPLY
- 2201-2250: +5V LOGIC SUPPLY
- 2251-2300: +5V LOGIC SUPPLY
- 2301-2350: +5V LOGIC SUPPLY
- 2351-2400: +5V LOGIC SUPPLY
- 2401-2450: +5V LOGIC SUPPLY
- 2451-2500: +5V LOGIC SUPPLY
- 2501-2550: +5V LOGIC SUPPLY
- 2551-2600: +5V LOGIC SUPPLY
- 2601-2650: +5V LOGIC SUPPLY
- 2651-2700: +5V LOGIC SUPPLY
- 2701-2750: +5V LOGIC SUPPLY
- 2751-2800: +5V LOGIC SUPPLY
- 2801-2850: +5V LOGIC SUPPLY
- 2851-2900: +5V LOGIC SUPPLY
- 2901-2950: +5V LOGIC SUPPLY
- 2951-3000: +5V LOGIC SUPPLY
- 3001-3050: +5V LOGIC SUPPLY
- 3051-3100: +5V LOGIC SUPPLY
- 3101-3150: +5V LOGIC SUPPLY
- 3151-3200: +5V LOGIC SUPPLY
- 3201-3250: +5V LOGIC SUPPLY
- 3251-3300: +5V LOGIC SUPPLY
- 3301-3350: +5V LOGIC SUPPLY
- 3351-3400: +5V LOGIC SUPPLY
- 3401-3450: +5V LOGIC SUPPLY
- 3451-3500: +5V LOGIC SUPPLY
- 3501-3550: +5V LOGIC SUPPLY
- 3551-3600: +5V LOGIC SUPPLY
- 3601-3650: +5V LOGIC SUPPLY
- 3651-3700: +5V LOGIC SUPPLY
- 3701-3750: +5V LOGIC SUPPLY
- 3751-3800: +5V LOGIC SUPPLY
- 3801-3850: +5V LOGIC SUPPLY
- 3851-3900: +5V LOGIC SUPPLY
- 3901-3950: +5V LOGIC SUPPLY
- 3951-4000: +5V LOGIC SUPPLY
- 4001-4050: +5V LOGIC SUPPLY
- 4051-4100: +5V LOGIC SUPPLY
- 4101-4150: +5V LOGIC SUPPLY
- 4151-4200: +5V LOGIC SUPPLY
- 4201-4250: +5V LOGIC SUPPLY
- 4251-4300: +5V LOGIC SUPPLY
- 4301-4350: +5V LOGIC SUPPLY
- 4351-4400: +5V LOGIC SUPPLY
- 4401-4450: +5V LOGIC SUPPLY
- 4451-4500: +5V LOGIC SUPPLY
- 4501-4550: +5V LOGIC SUPPLY
- 4551-4600: +5V LOGIC SUPPLY
- 4601-4650: +5V LOGIC SUPPLY
- 4651-4700: +5V LOGIC SUPPLY
- 4701-4750: +5V LOGIC SUPPLY
- 4751-4800: +5V LOGIC SUPPLY
- 4801-4850: +5V LOGIC SUPPLY
- 4851-4900: +5V LOGIC SUPPLY
- 4901-4950: +5V LOGIC SUPPLY
- 4951-5000: +5V LOGIC SUPPLY
- 5001-5050: +5V LOGIC SUPPLY
- 5051-5100: +5V LOGIC SUPPLY
- 5101-5150: +5V LOGIC SUPPLY
- 5151-5200: +5V LOGIC SUPPLY
- 5201-5250: +5V LOGIC SUPPLY
- 5251-5300: +5V LOGIC SUPPLY
- 5301-5350: +5V LOGIC SUPPLY
- 5351-5400: +5V LOGIC SUPPLY
- 5401-5450: +5V LOGIC SUPPLY
- 5451-5500: +5V LOGIC SUPPLY
- 5501-5550: +5V LOGIC SUPPLY
- 5551-5600: +5V LOGIC SUPPLY
- 5601-5650: +5V LOGIC SUPPLY
- 5651-5700: +5V LOGIC SUPPLY
- 5701-5750: +5V LOGIC SUPPLY
- 5751-5800: +5V LOGIC SUPPLY
- 5801-5850: +5V LOGIC SUPPLY
- 5851-5900: +5V LOGIC SUPPLY
- 5901-5950: +5V LOGIC SUPPLY
- 5951-6000: +5V LOGIC SUPPLY
- 6001-6050: +5V LOGIC SUPPLY
- 6051-6100: +5V LOGIC SUPPLY
- 6101-6150: +5V LOGIC SUPPLY
- 6151-6200: +5V LOGIC SUPPLY
- 6201-6250: +5V LOGIC SUPPLY
- 6251-6300: +5V LOGIC SUPPLY
- 6301-6350: +5V LOGIC SUPPLY
- 6351-6400: +5V LOGIC SUPPLY
- 6401-6450: +5V LOGIC SUPPLY
- 6451-6500: +5V LOGIC SUPPLY
- 6501-6550: +5V LOGIC SUPPLY
- 6551-6600: +5V LOGIC SUPPLY
- 6601-6650: +5V LOGIC SUPPLY
- 6651-6700: +5V LOGIC SUPPLY
- 6701-6750: +5V LOGIC SUPPLY
- 6751-6800: +5V LOGIC SUPPLY
- 6801-6850: +5V LOGIC SUPPLY
- 6851-6900: +5V LOGIC SUPPLY
- 6901-6950: +5V LOGIC SUPPLY
- 6951-7000: +5V LOGIC SUPPLY
- 7001-7050: +5V LOGIC SUPPLY
- 7051-7100: +5V LOGIC SUPPLY
- 7101-7150: +5V LOGIC SUPPLY
- 7151-7200: +5V LOGIC SUPPLY
- 7201-7250: +5V LOGIC SUPPLY
- 7251-7300: +5V LOGIC SUPPLY
- 7301-7350: +5V LOGIC SUPPLY
- 7351-7400: +5V LOGIC SUPPLY
- 7401-7450: +5V LOGIC SUPPLY
- 7451-7500: +5V LOGIC SUPPLY
- 7501-7550: +5V LOGIC SUPPLY
- 7551-7600: +5V LOGIC SUPPLY
- 7601-7650: +5V LOGIC SUPPLY
- 7651-7700: +5V LOGIC SUPPLY
- 7701-7750: +5V LOGIC SUPPLY
- 7751-7800: +5V LOGIC SUPPLY
- 7801-7850: +5V LOGIC SUPPLY
- 7851-7900: +5V LOGIC SUPPLY
- 7901-7950: +5V LOGIC SUPPLY
- 7951-8000: +5V LOGIC SUPPLY
- 8001-8050: +5V LOGIC SUPPLY
- 8051-8100: +5V LOGIC SUPPLY
- 8101-8150: +5V LOGIC SUPPLY
- 8151-8200: +5V LOGIC SUPPLY
- 8201-8250: +5V LOGIC SUPPLY
- 8251-8300: +5V LOGIC SUPPLY
- 8301-8350: +5V LOGIC SUPPLY
- 8351-8400: +5V LOGIC SUPPLY
- 8401-8450: +5V LOGIC SUPPLY
- 8451-8500: +5V LOGIC SUPPLY
- 8501-8550: +5V LOGIC SUPPLY
- 8551-8600: +5V LOGIC SUPPLY
- 8601-8650: +5V LOGIC SUPPLY
- 8651-8700: +5V LOGIC SUPPLY
- 8701-8750: +5V LOGIC SUPPLY
- 8751-8800: +5V LOGIC SUPPLY
- 8801-8850: +5V LOGIC SUPPLY
- 8851-8900: +5V LOGIC SUPPLY
- 8901-8950: +5V LOGIC SUPPLY
- 8951-9000: +5V LOGIC SUPPLY
- 9001-9050: +5V LOGIC SUPPLY
- 9051-9100: +5V LOGIC SUPPLY
- 9101-9150: +5V LOGIC SUPPLY
- 9151-9200: +5V LOGIC SUPPLY
- 9201-9250: +5V LOGIC SUPPLY
- 9251-9300: +5V LOGIC SUPPLY
- 9301-9350: +5V LOGIC SUPPLY
- 9351-9400: +5V LOGIC SUPPLY
- 9401-9450: +5V LOGIC SUPPLY
- 9451-9500: +5V LOGIC SUPPLY
- 9501-9550: +5V LOGIC SUPPLY
- 9551-9600: +5V LOGIC SUPPLY
- 9601-9650: +5V LOGIC SUPPLY
- 9651-9700: +5V LOGIC SUPPLY
- 9701-9750: +5V LOGIC SUPPLY
- 9751-9800: +5V LOGIC SUPPLY
- 9801-9850: +5V LOGIC SUPPLY
- 9851-9900: +5V LOGIC SUPPLY
- 9901-9950: +5V LOGIC SUPPLY
- 9951-10000: +5V LOGIC SUPPLY

E-B SERIES PROGRAMMER CIRCUITS
 DRAWN KEYBOARD & INTERFACE
 DRAWN P.L.L ELAN DIGITAL
 ISSUE 3 SYSTEMS LTD
 DRG No 326/16
 m 33 11/187



*Mount these components on heatsink
 IC5 - 7406
 IC6 - 4528

RAM BATTERY BACK-UP
 SUPPORT 10µA FOR 1000HRS (500 DAYS)

E/B SERIES PROGRAMMER CIRCUIT
P.S.U. CIRCUIT

DRAWN	ISSUE	DRGN#
1	1	326/17

ELAN DIGITAL
 SYSTEMS LTD.

FUNCTION	WAGT	PINND
N/C	1	34
N/C	1	33
N/C	1	32
N/C	1	31
N/C	1	30
+3.4V SUPPLY	1	29
+5V SUPPLY TO I/O&MEMORY	2	27, 28
OV COMMON	6	11a, 6
RAM PROTECTION	1	8
+5V SW Supply	4	7, 9, 10, 11
OV return for IC4	1	12
+5V Logic	2	13, 8, 16
+13V Control	1	14
+5V/6V Control	1	15
+5V SW Control	1	17
+21V Vpp Control	1	18
Piezo Sounder	1	19
+12V Supply	1	20
+12V Supply	2	21, 22
Ram Battery	1	23
+12V Control	1	24
High Voltage to pins 22	1	25
Control	1	25
Upp Supply	1	26