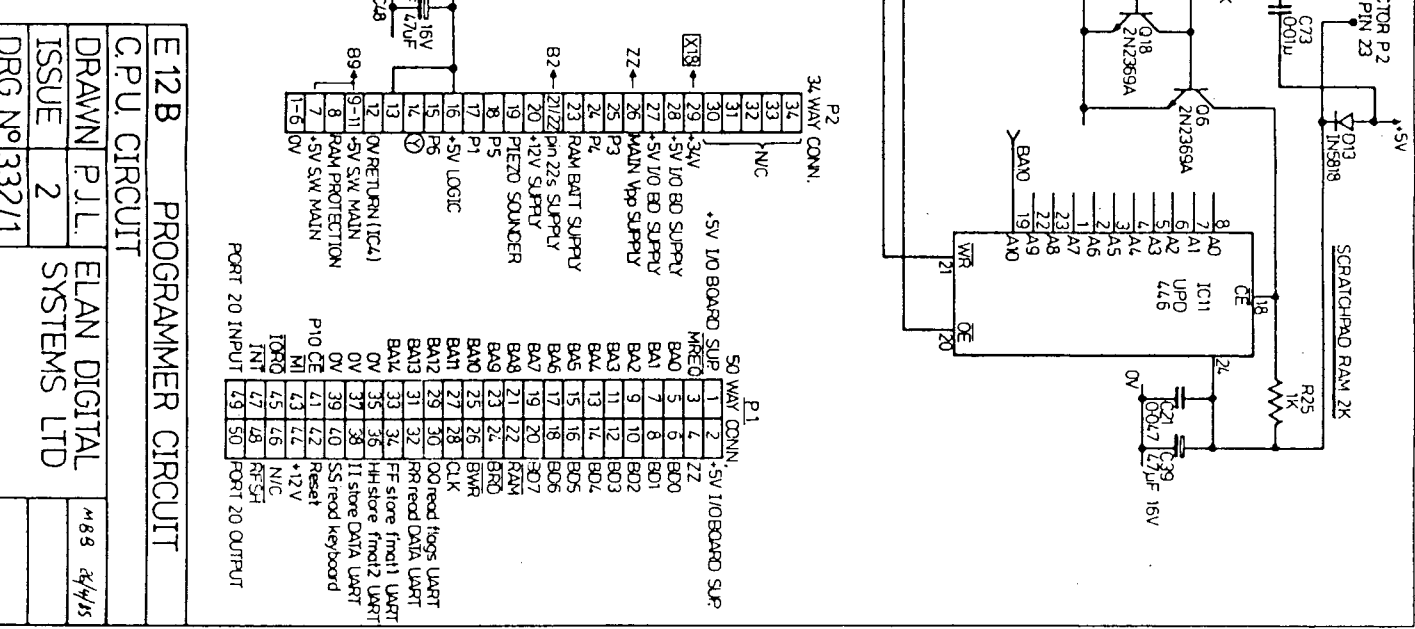
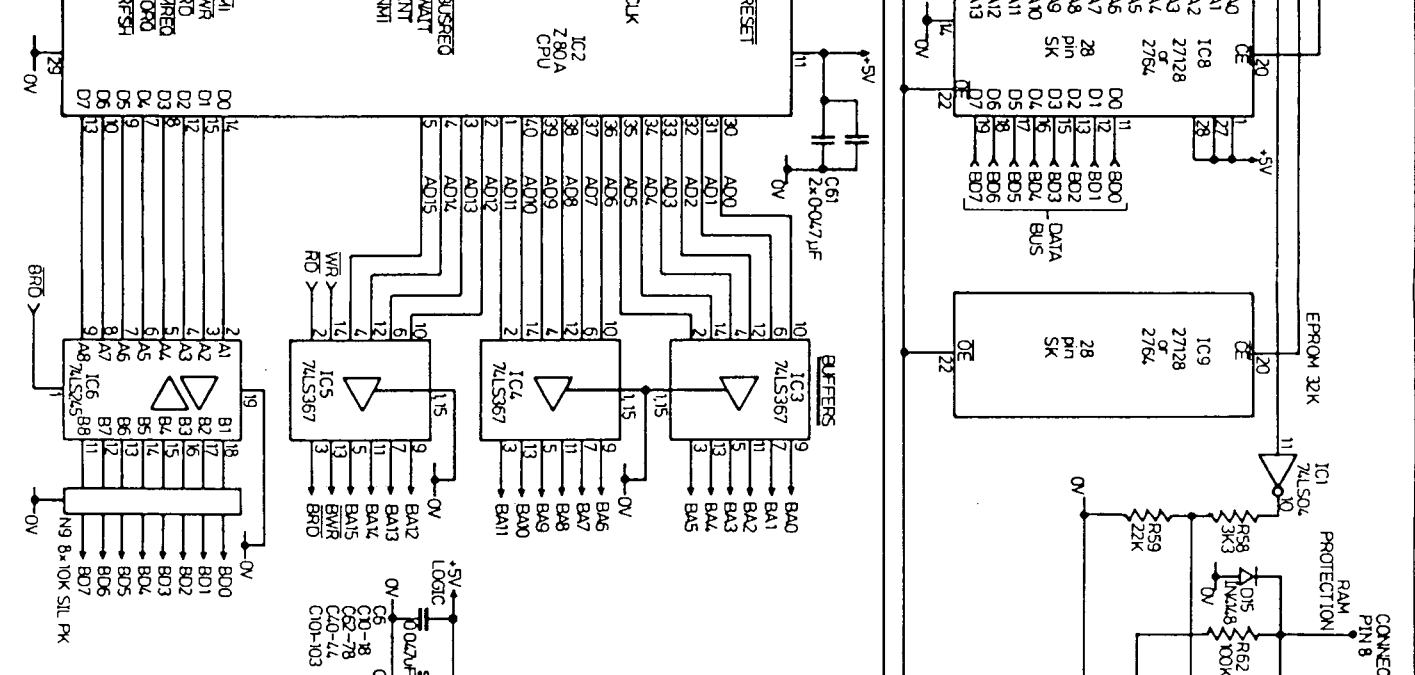
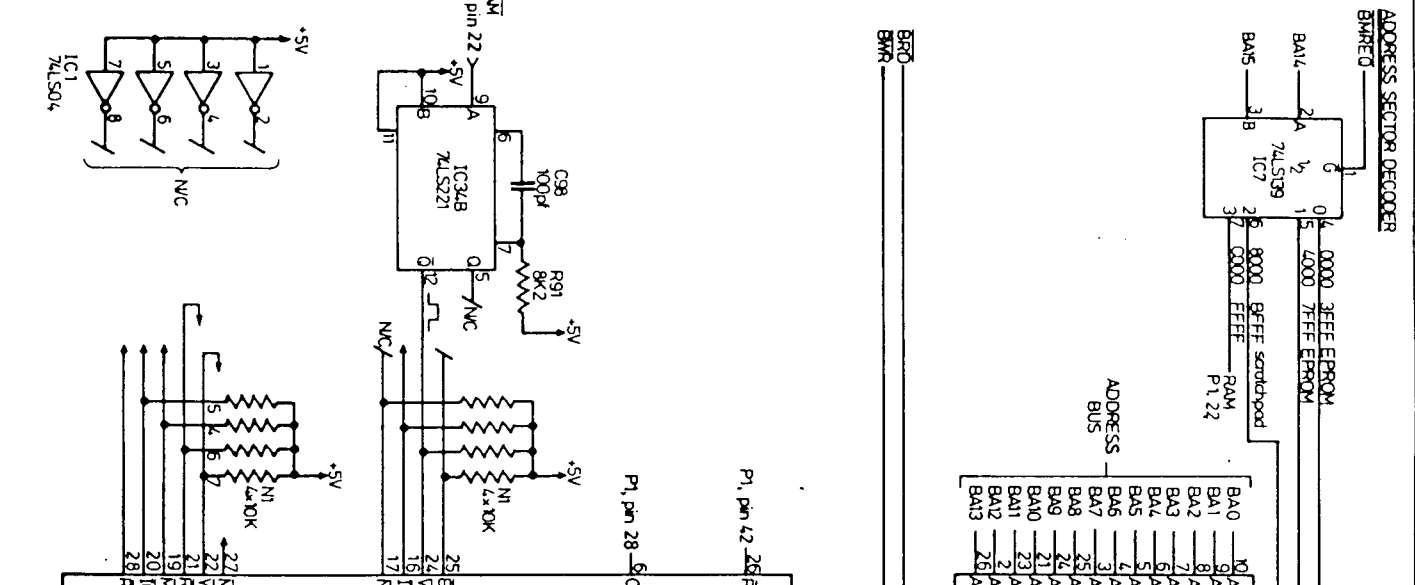


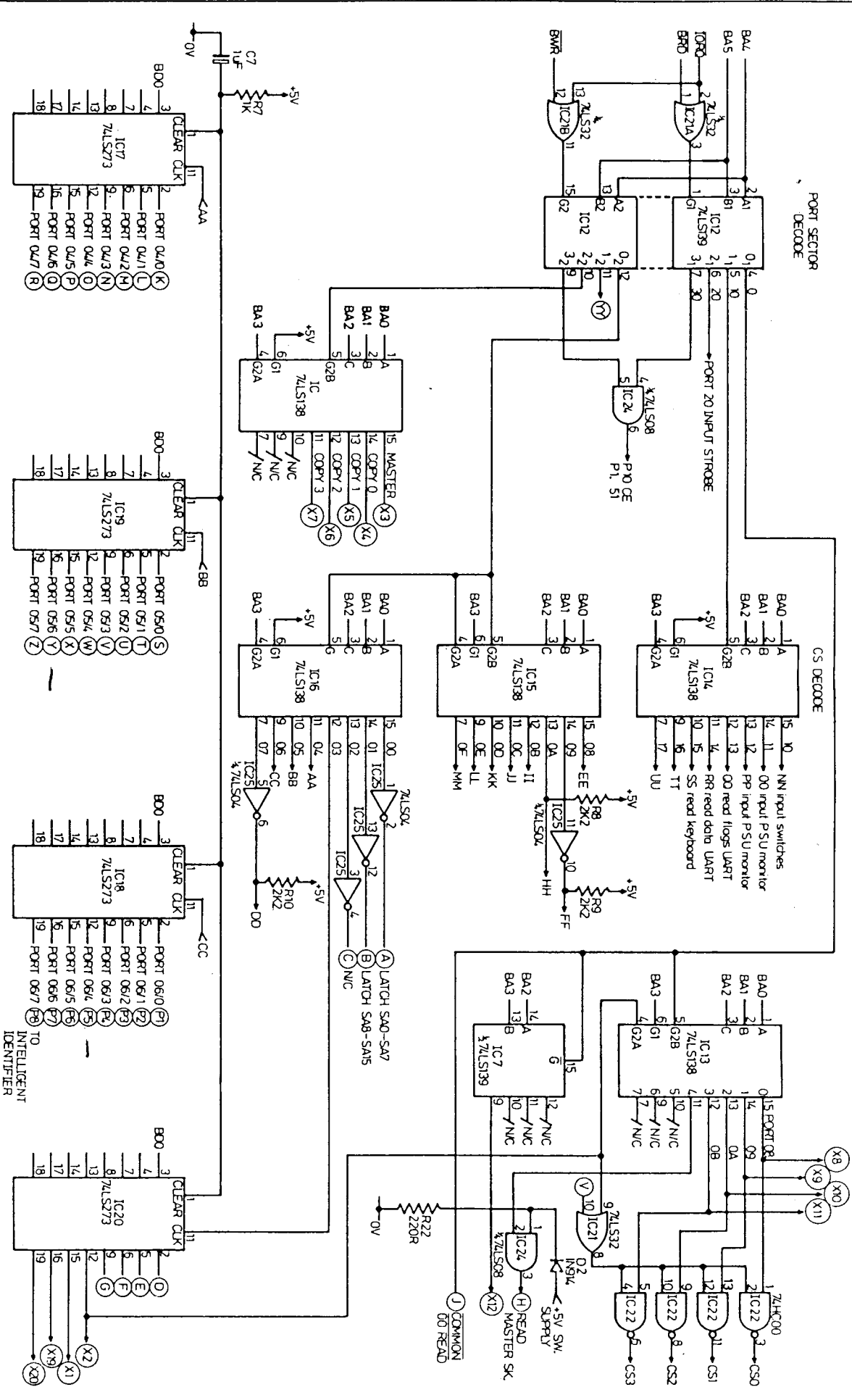
E12B PROGRAMMER CIRCUIT	
CPU CIRCUIT	
DRAWN	P.J.L.
ISSUE	2
DRG No 332/1	
ELAN DIGITAL SYSTEMS LTD	
M88 2/4/85	

1	50 WAY BOARD SUP	1	5V
2	2	2	5V I/O BOARD SUP
3	3	3	RESET
4	4	4	CLK
5	5	5	RD
6	6	6	WR
7	7	7	RD
8	8	8	WR
9	9	9	RD
10	10	10	WR
11	11	11	RD
12	12	12	WR
13	13	13	RD
14	14	14	WR
15	15	15	RD
16	16	16	WR
17	17	17	RD
18	18	18	WR
19	19	19	RD
20	20	20	WR
21	21	21	RD
22	22	22	WR
23	23	23	RD
24	24	24	WR
25	25	25	RD
26	26	26	WR
27	27	27	RD
28	28	28	WR
29	29	29	RD
30	30	30	WR
31	31	31	RD
32	32	32	WR
33	33	33	RD
34	34	34	WR

1	50 WAY BOARD SUP	1	5V
2	2	2	5V I/O BOARD SUP
3	3	3	RESET
4	4	4	CLK
5	5	5	RD
6	6	6	WR
7	7	7	RD
8	8	8	WR
9	9	9	RD
10	10	10	WR
11	11	11	RD
12	12	12	WR
13	13	13	RD
14	14	14	WR
15	15	15	RD
16	16	16	WR
17	17	17	RD
18	18	18	WR
19	19	19	RD
20	20	20	WR
21	21	21	RD
22	22	22	WR
23	23	23	RD
24	24	24	WR
25	25	25	RD
26	26	26	WR
27	27	27	RD
28	28	28	WR
29	29	29	RD
30	30	30	WR
31	31	31	RD
32	32	32	WR
33	33	33	RD
34	34	34	WR

ADDRESS SECTOR DECODER





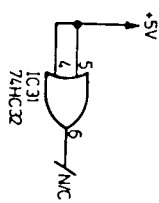
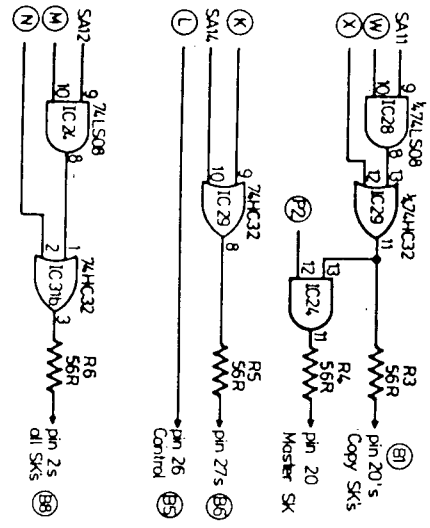
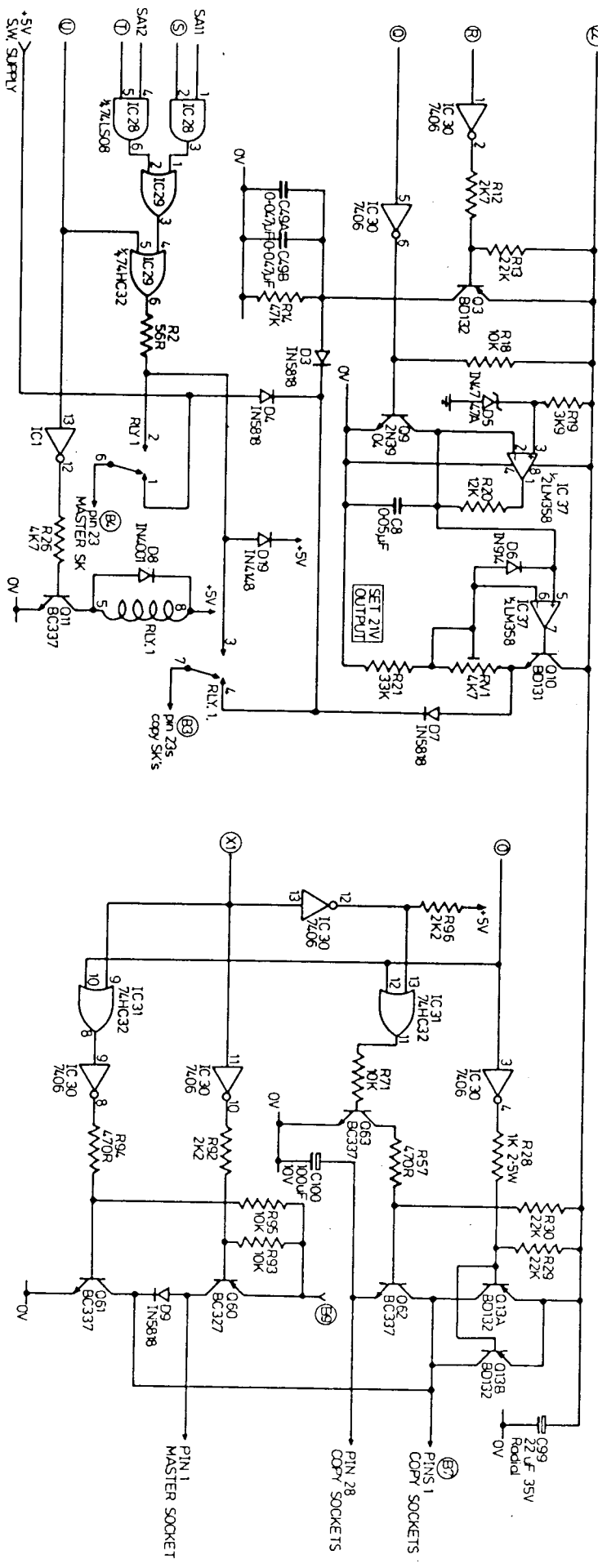
<b>E12 B PROGRAMMER CIRCUIT</b>	
<b>PORT DECODING &amp; CHIP SELECTS</b>	
DRAWN P.J.L	ELAN DIGITAL
ISSUE 2	SYSTEMS LTD
DRG N° 332/2	26/05/88

(A) LATCH SA0-SA7  
 (B) LATCH SA8-SA15  
 (C) NIC  
 (D) PORT 0A/0 (P)  
 (E) PORT 0A/1 (E2)  
 (F) PORT 0A/2 (E3)  
 (G) PORT 0A/3 (E4)  
 (H) PORT 0A/4 (E5)  
 (I) PORT 0A/5 (E6)  
 (J) PORT 0A/6 (E7)  
 (K) PORT 0A/7 (E8)  
 (L) PORT 0A/8 (E9)  
 (M) PORT 0A/9 (E10)  
 (N) PORT 0A/10 (E11)  
 (O) PORT 0A/11 (E12)  
 (P) PORT 0A/12 (E13)  
 (Q) PORT 0A/13 (E14)  
 (R) PORT 0A/14 (E15)  
 (S) PORT 0A/15 (E16)

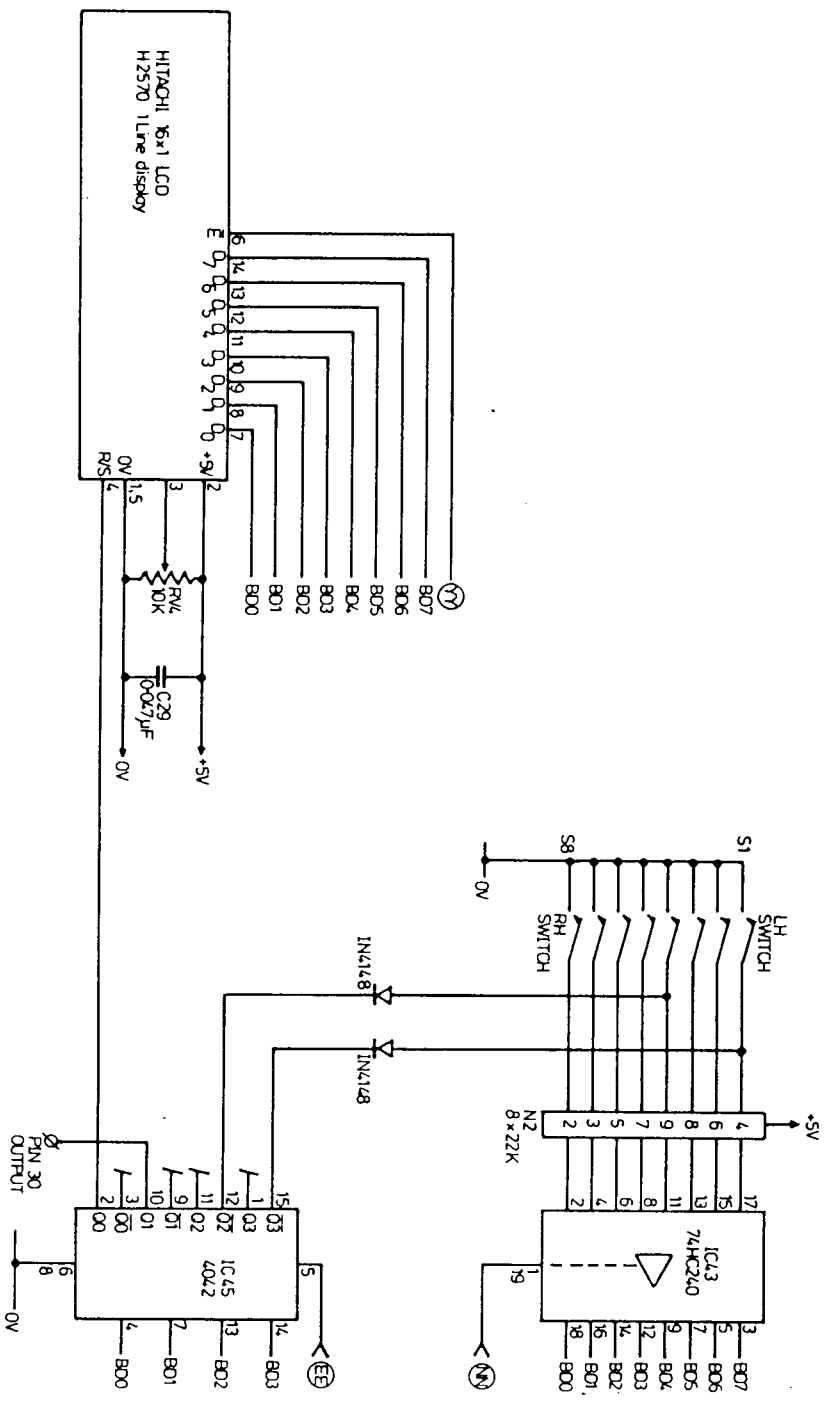
V<sub>PP</sub> SUPPLY VOLTAGE

E3 V<sub>PP</sub> WAVE SHAPER

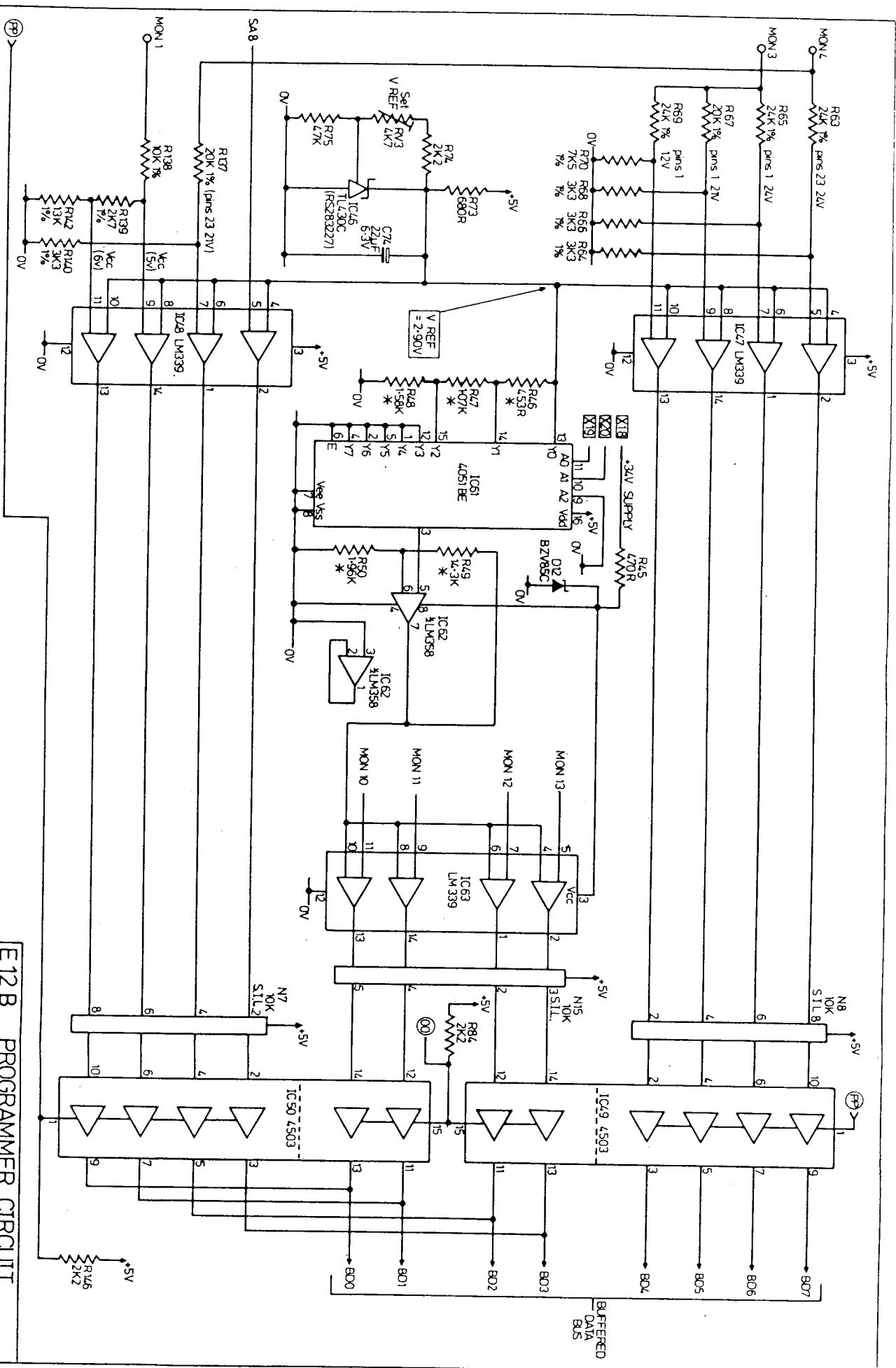
LEVEL SHIFTERS / SWITCHING CIRCUITRY



E12 B PROGRAMMER CIRCUIT		
LEVEL SHIFTING CIRCUITS		
DRAWN	PJL	ELAN DIGITAL SYSTEMS LTD
ISSUE	2	
DRG N°	332/3	
		2/4/85 mg8

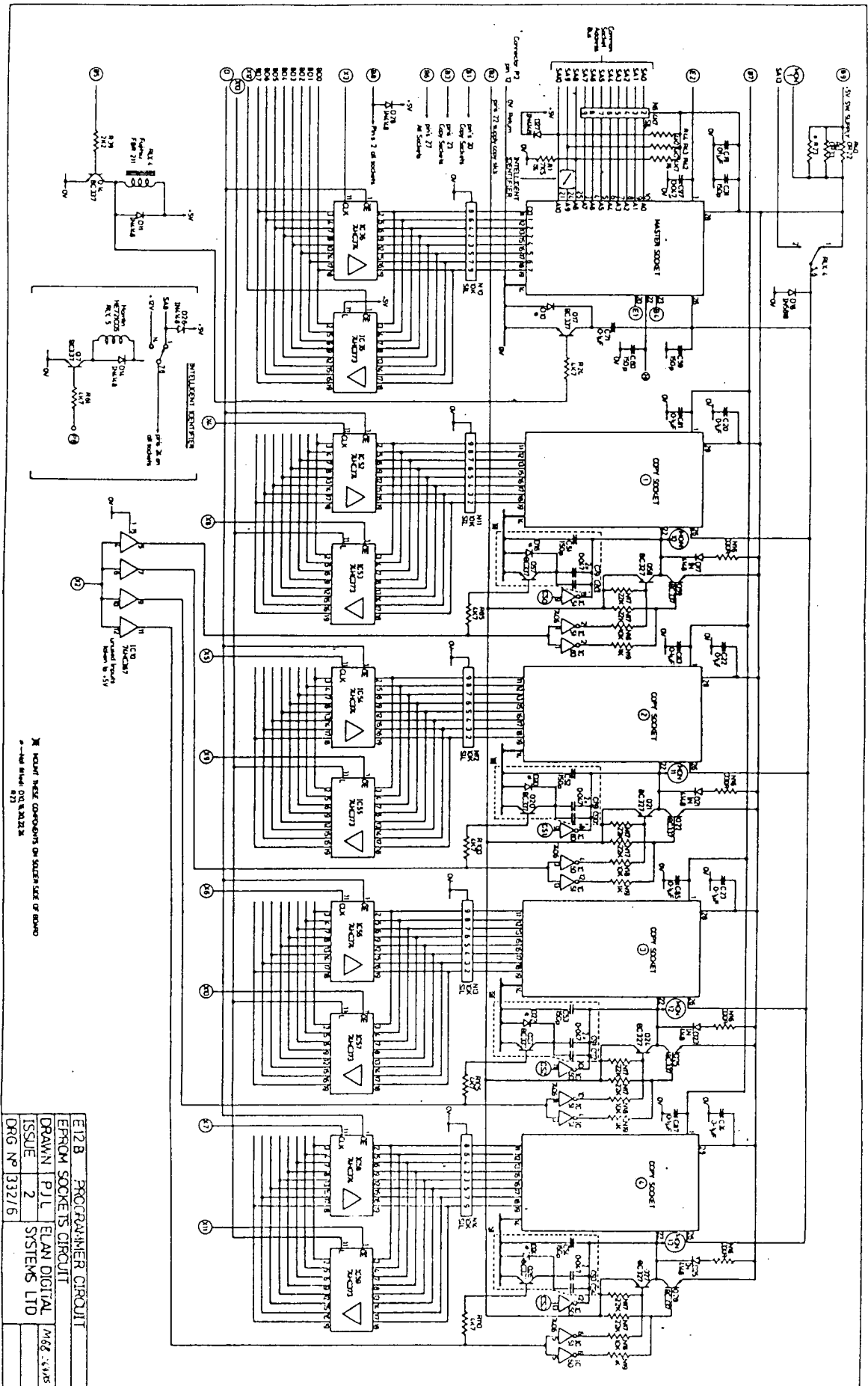


E12 B PROGRAMMER CIRCUIT		
DISPLAY & LOWER KEYBOARD		
DRAWN	PJL	ELAN DIGITAL
ISSUE	1	SYSTEMS LTD
DRG No	332/4	
		24/1/88



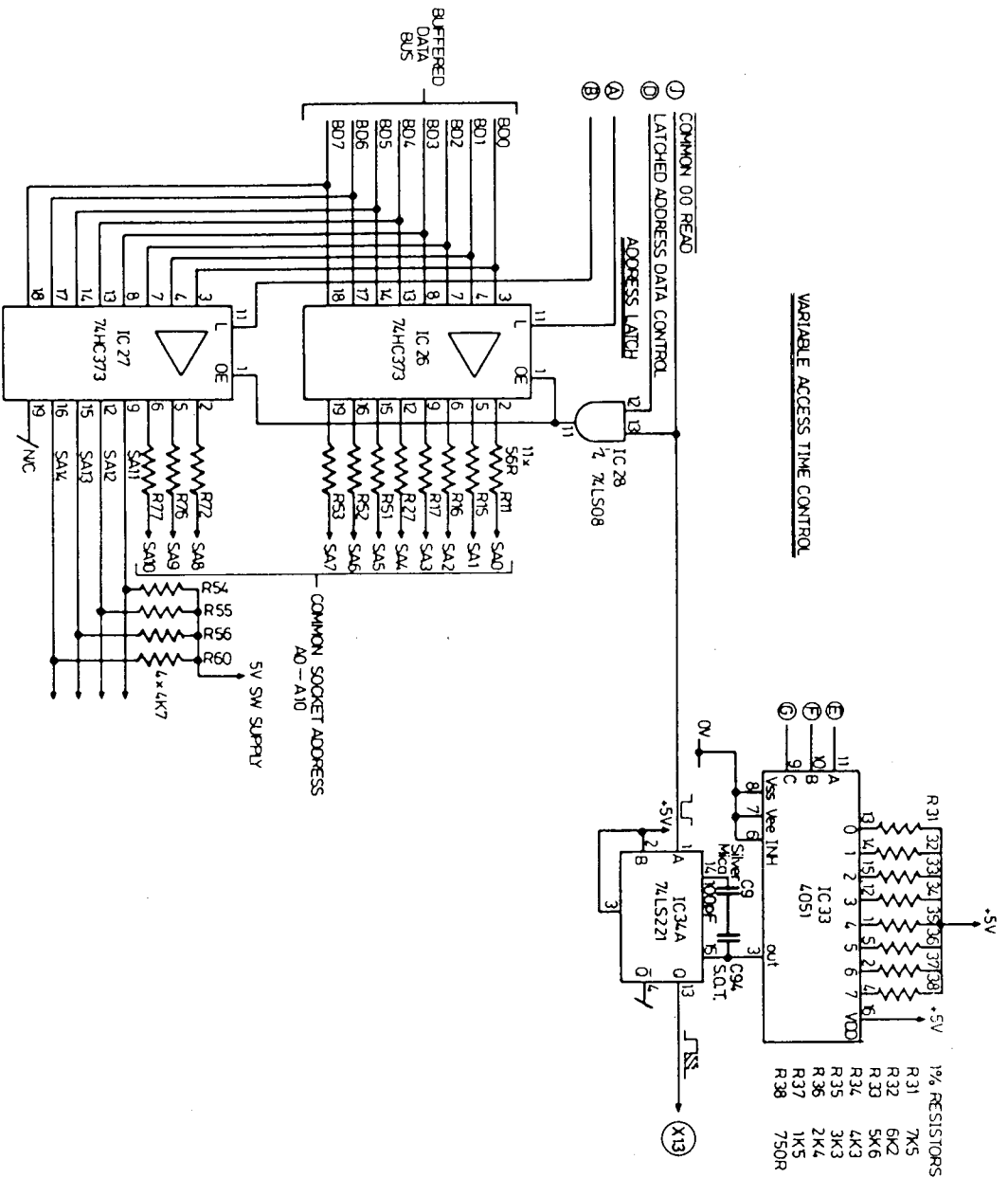
\* Resistors RC55 ± 0.1%, 8W

E12 B PROGRAMMER CIRCUIT	
VOLTAGE MONITORING CIRCUIT	
DRAWN	P J L
ISSUE	3
DRG N°	332/5
ELAN DIGITAL SYSTEMS LTD	
24/4/85 mgs	



\* ROM SOCKET CONNECTION ON SYSTEM CASE OF BOARD  
 \* - ROM SOCKET ON BOARD 27

E12 B	PROGRAMMER CIRCUIT	
EPROM SOCKETS CIRCUIT		
DRAWN	P.J.L.	MSG-1318
ISSUE	2	ELEAN DIGITAL SYSTEMS LTD
DRG NO	3327/6	



E12 B PROGRAMMER CIRCUIT	
ADDRESS LATCH & DYNAMIC ACCESS	
DRAWN	PJL
ISSUE	3
DRG No 332/7	
ELAN DIGITAL SYSTEMS LTD	
24/4/85 MAB	

FRB