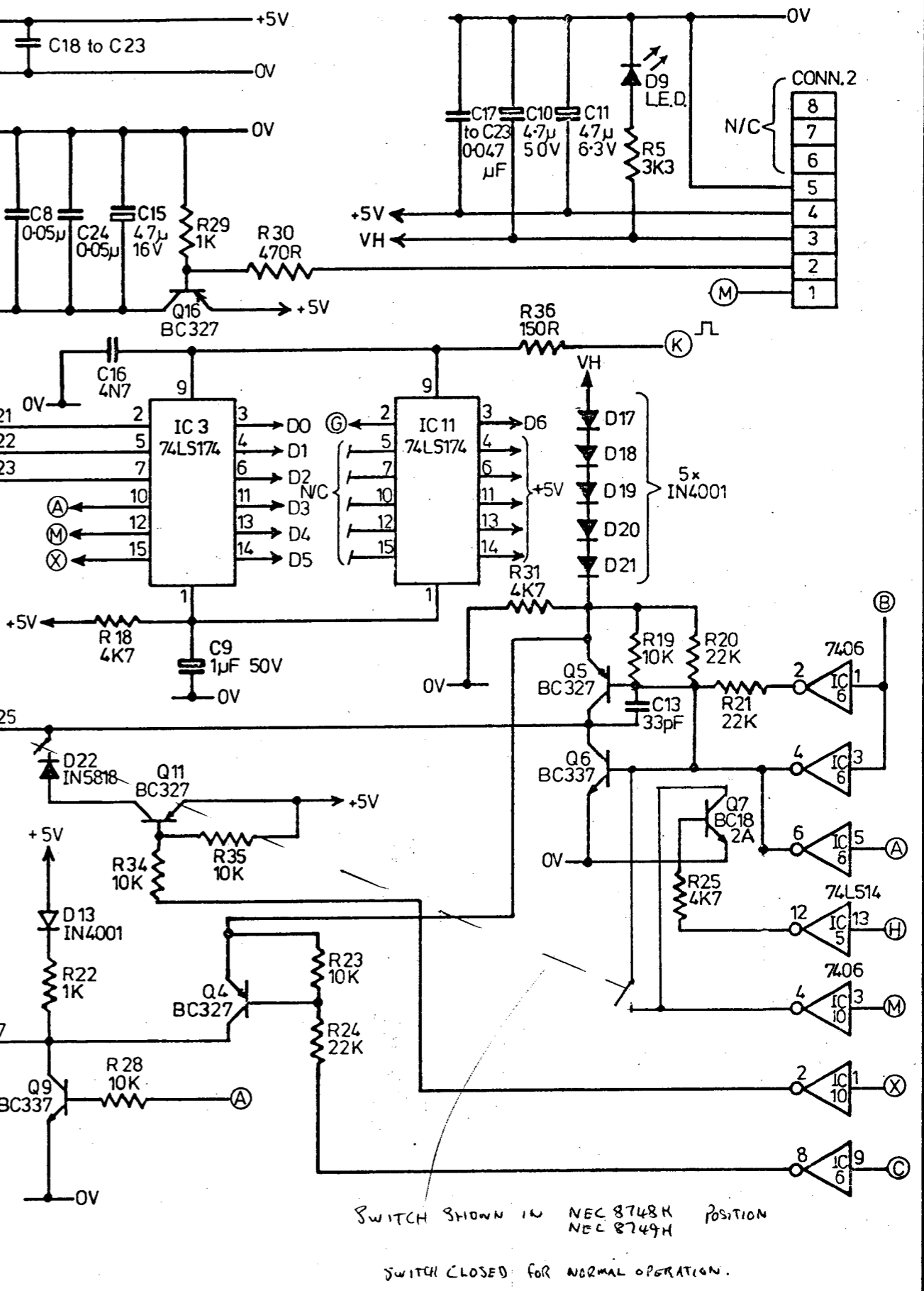
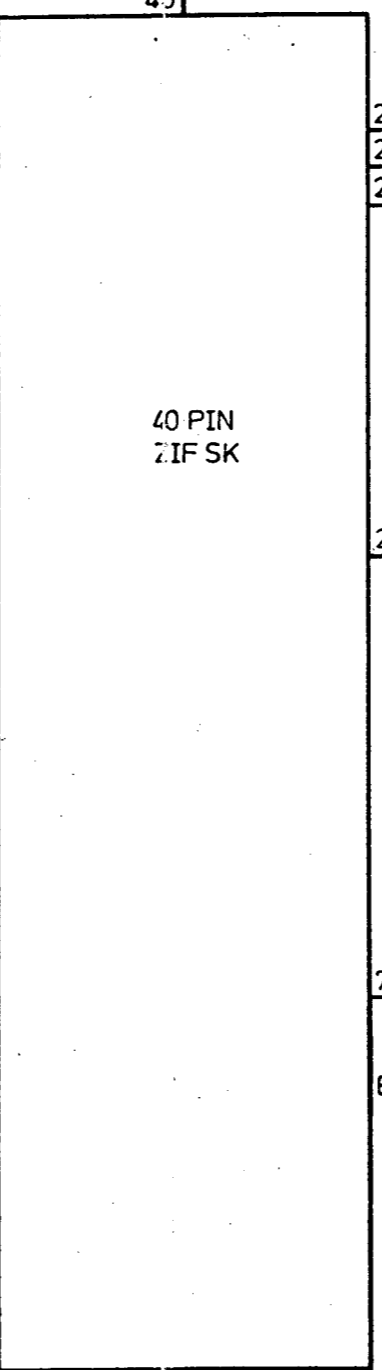
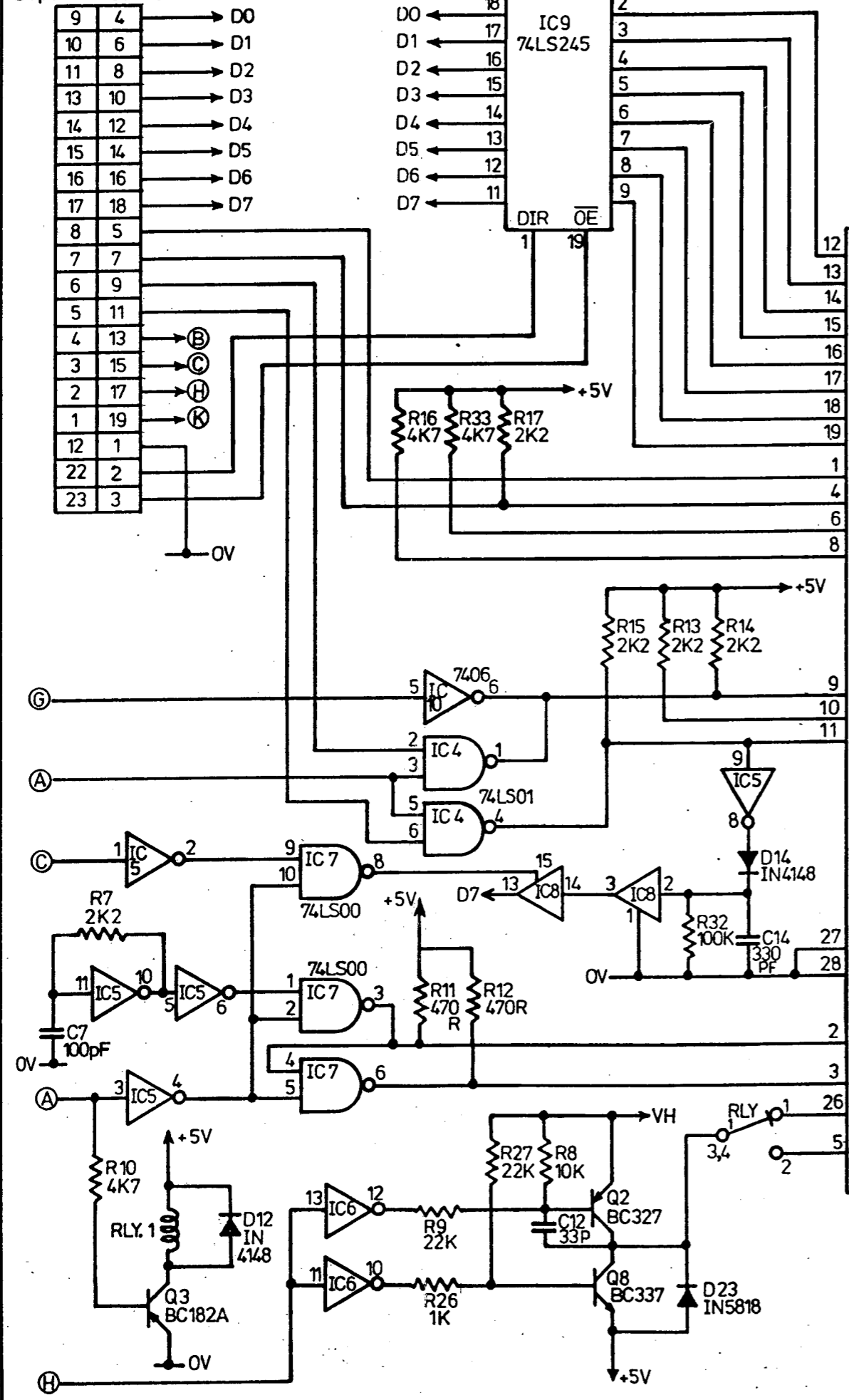


540 B
24 pin SK
E' Series
26 WAY
CONN. 1



SWITCH SHOWN IN NEC 8748K POSITION
SWITCH CLOSED FOR NORMAL OPERATION.

E4 ^N ADAPTER CIRCUIT		
DRAWN	P.J.L.	ELAN DIGITAL SYSTEMS LTD.
ISSUE	2	
DRG N ^o	275	