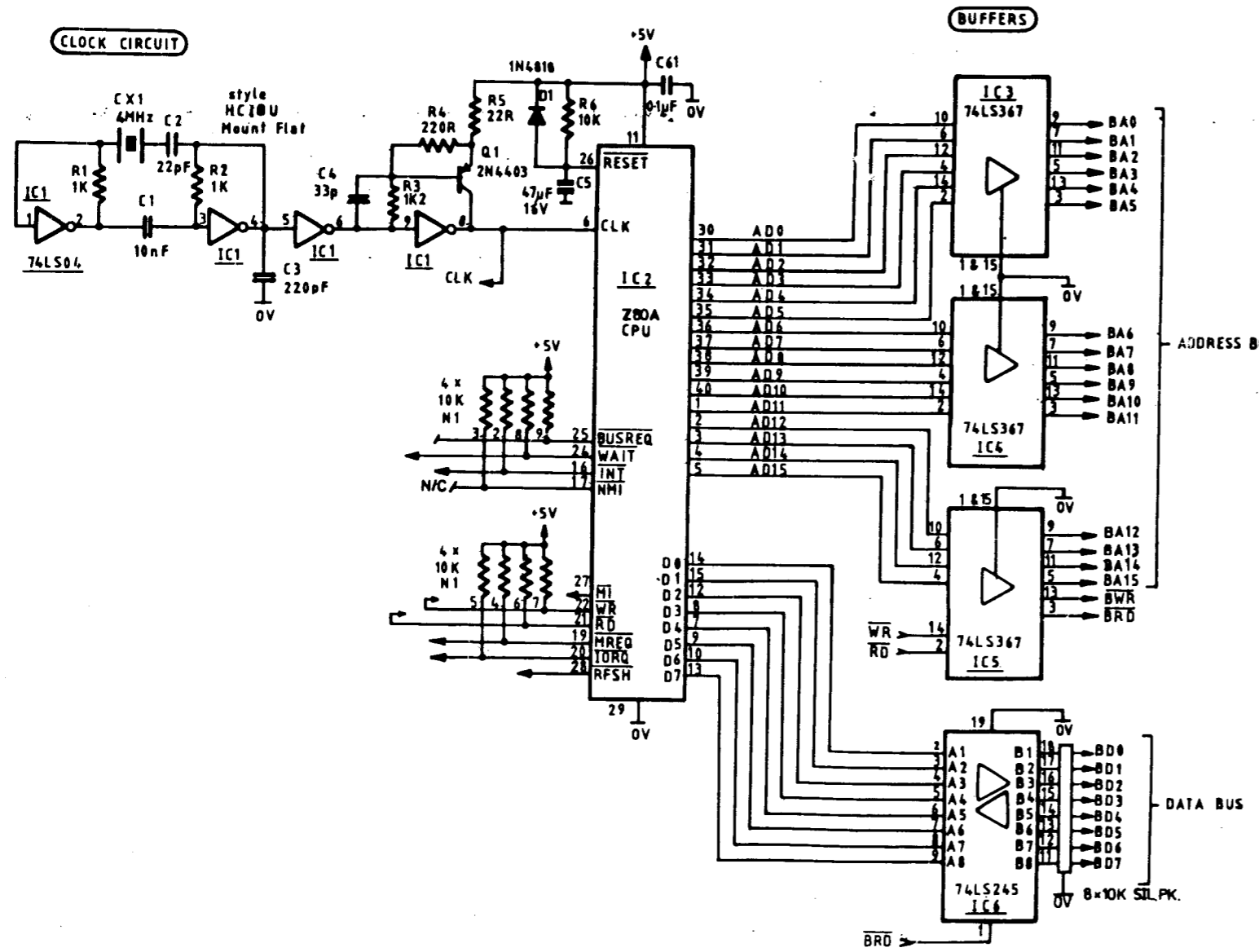


BRD 24
BWR 24



P1
50 PIN CONNECTOR

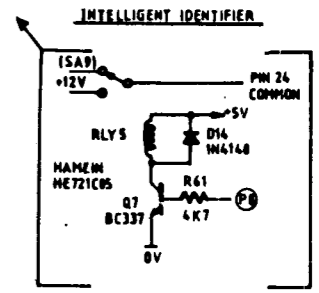
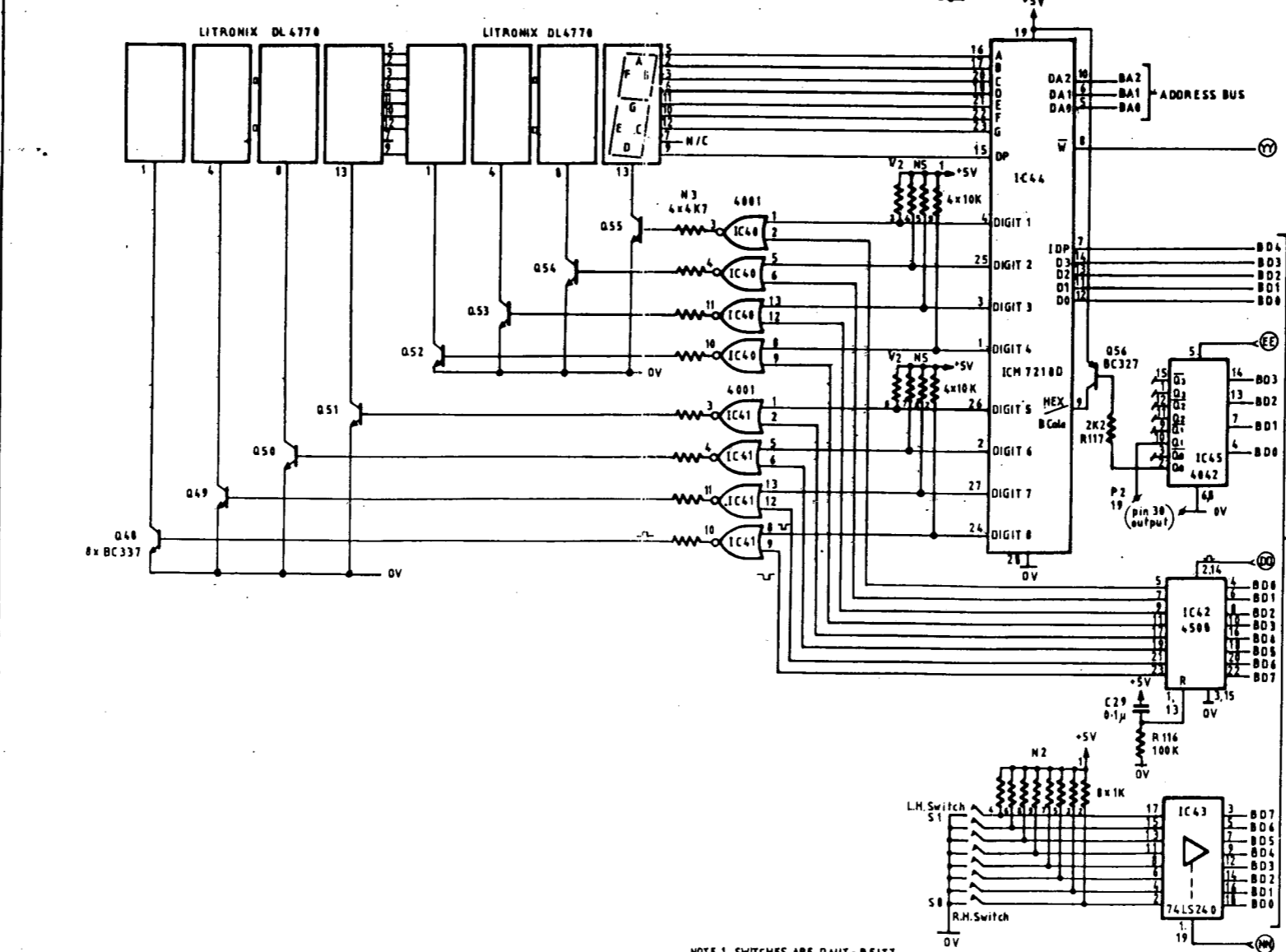
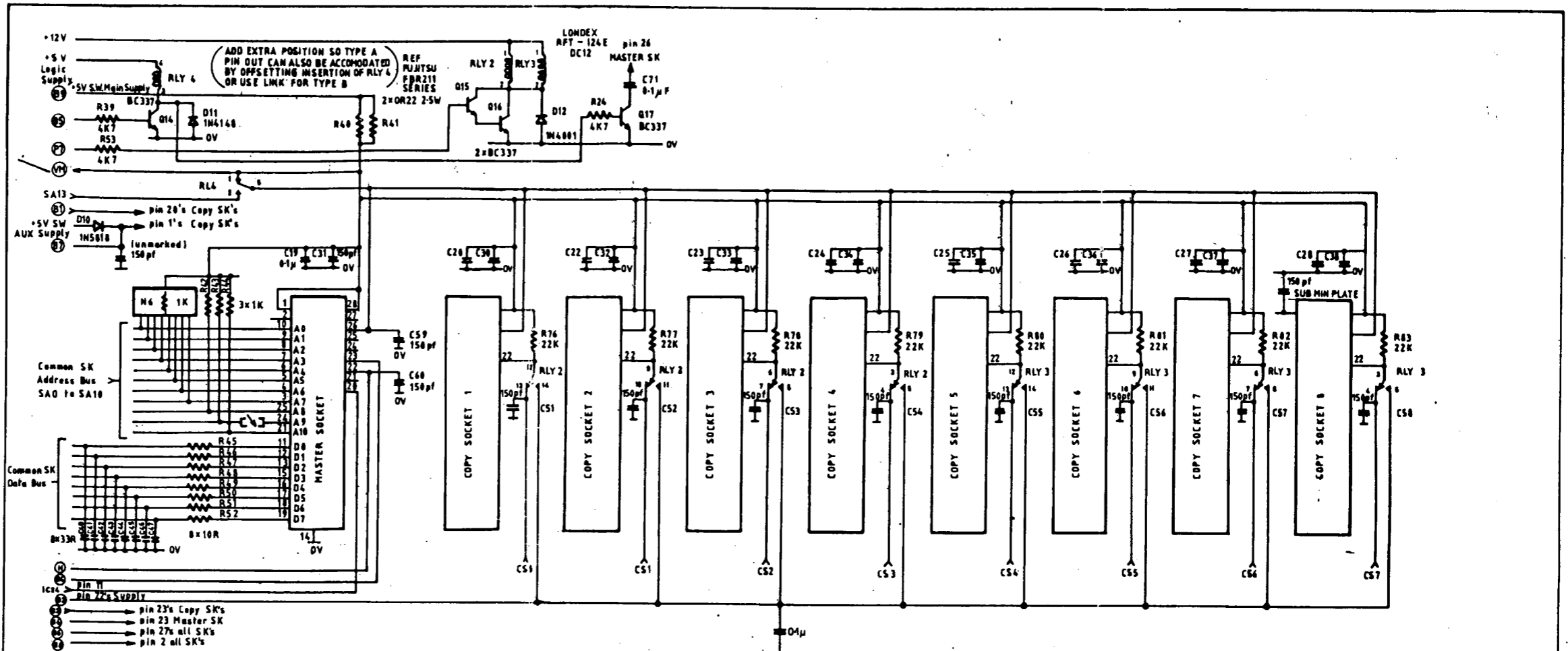
1	2	+5V I/O BOARD SUPPLY
3	4	ZZ
5	6	BD0
7	8	BD1
9	10	BD2
11	12	BD3
13	14	BD4
15	16	BD5
17	18	BD6
19	20	BD7
21	22	RAM
23	24	BRD
25	26	BWR
27	28	CLK
29	30	QQ Read Flags UART
31	32	RR Read DATA UART
33	34	FF Store Format 1 UART
35	36	HH Store Format 2 UART
37	38	II Store DATA UART
39	40	SS Read Keyboard
41	42	
43	44	
45	46	
47	48	RESH
49	50	PORT 20 OUTPUT

P2
30 WAY CONNECTOR

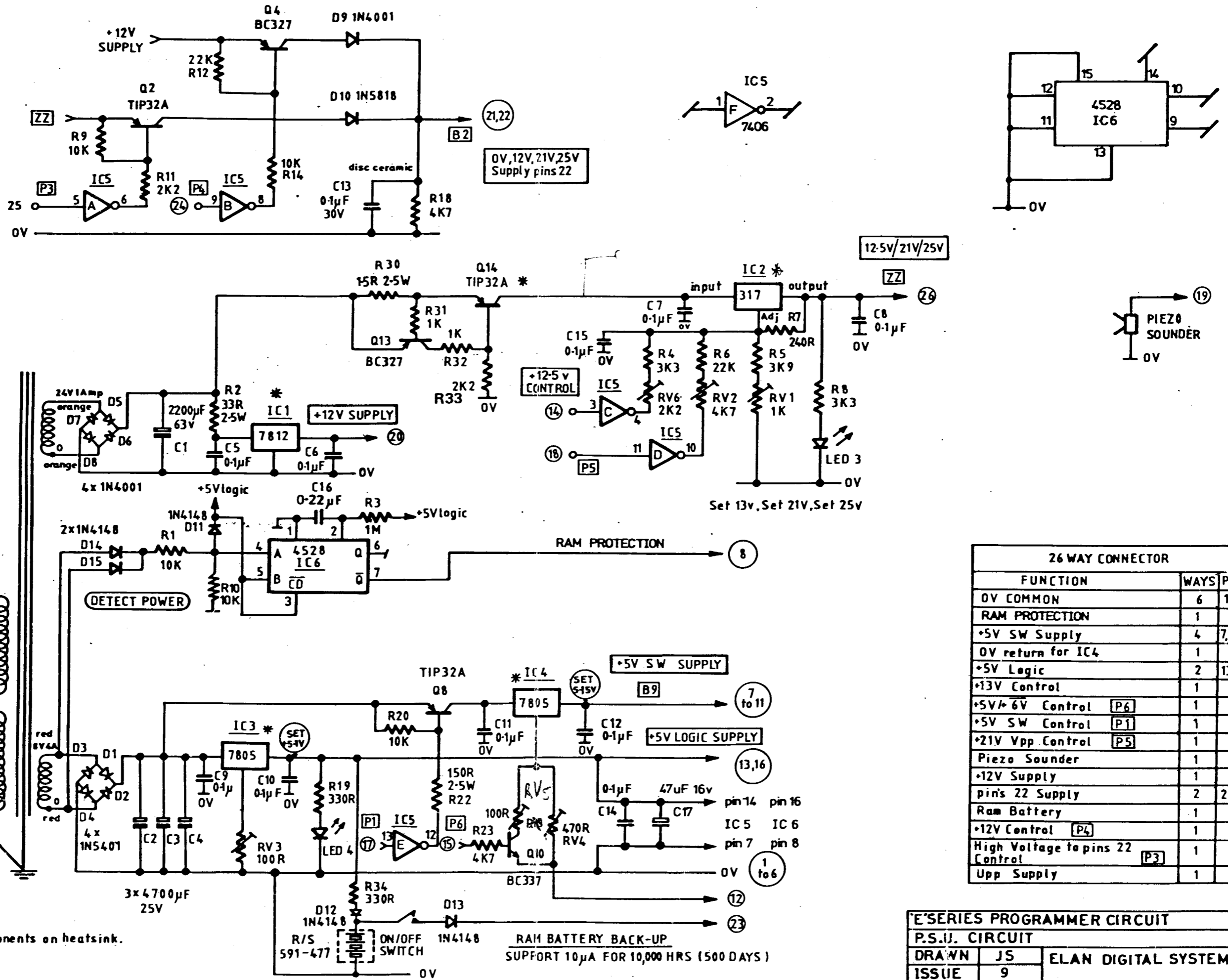
30	
29	
28	+5V I/O BOARD SUPPLY
27	+5V I/O BOARD SUPPLY
26	ZZ ← 21/25V SUPPLY
25	P3
24	P4
23	RAM BATTERY SUPPLY
21/22	pin 22's SUPPLY
20	+12V SUPPLY
19	PIEZO SOUNDER
18	P5
17	P1
16	+5V LOGIC
15	P6
14	Ⓞ
13	
12	0V RETURN FOR ICs
11	+5V S.W. MAIN
10	0V
9	RAM PROTECTION
8	

E SERIES PROGRAMMER CIRCUIT
C.P.U. CIRCUIT
DRAWN JS
ISSUE 10
DRG No. 285/1
ELAN DIGITAL SYSTEMS LTD.

Flow 1

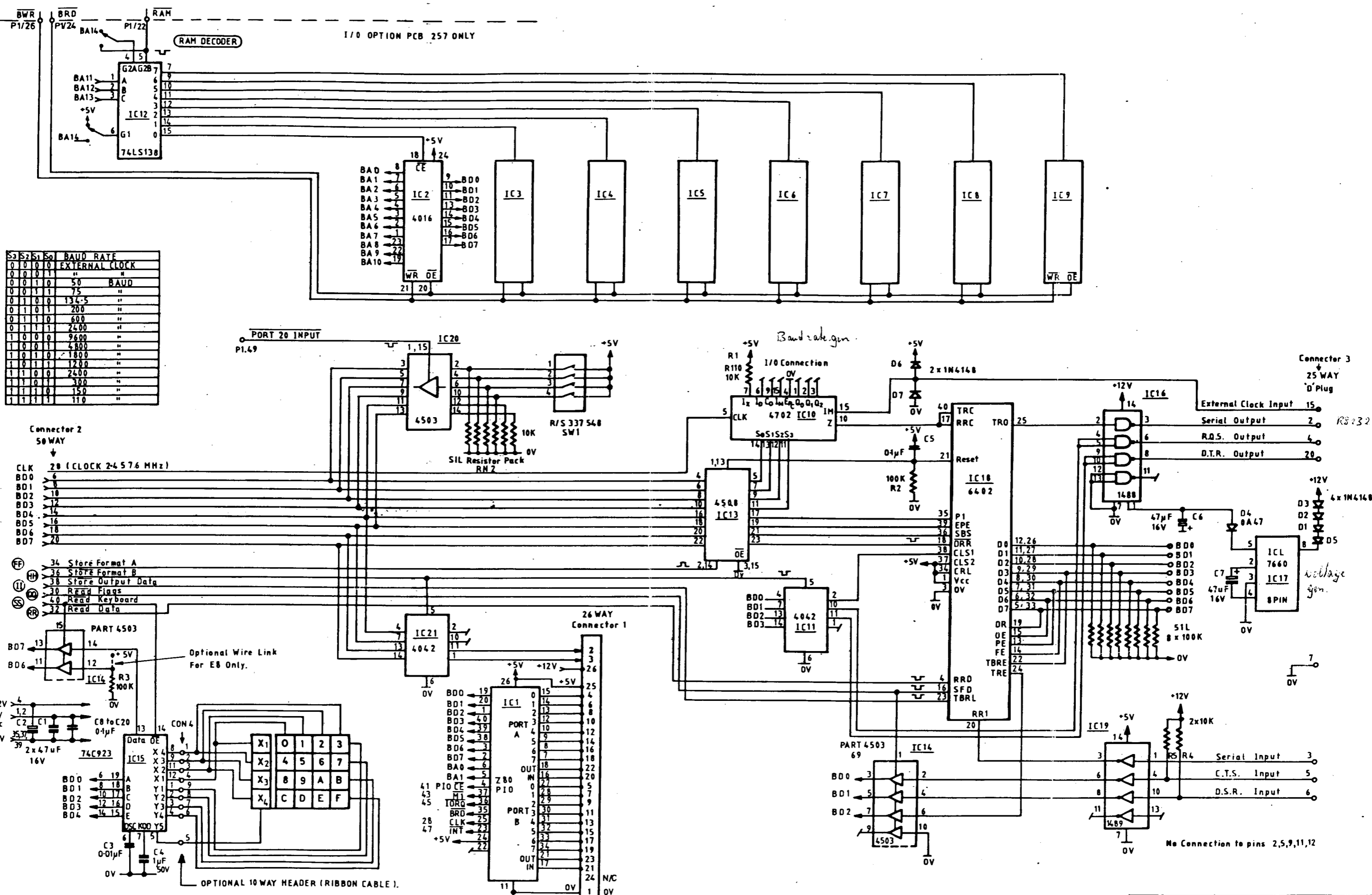


E SERIES PROGRAMMER CIRCUIT	
MASTER & COPY SOCKET CIRCUITS	
DISPLAY / KEYSWITCH / BURZER CIRCUITS	
DRAWN	JS
ISSUE	0
DRG. No	285/3
ELAN DIGITAL SYSTEMS LTD.	



26 WAY CONNECTOR		
FUNCTION	WAYS	PIN No.
0V COMMON	6	1 to 6
RAM PROTECTION	1	8
+5V SW Supply	4	7,9,10,11
0V return for IC4	1	12
+5V Logic	2	13 & 16
+13V Control	1	14
+5V/+6V Control [P6]	1	15
+5V SW Control [P1]	1	17
+21V Vpp Control [P5]	1	18
Piezo Sounder	1	19
+12V Supply	1	20
pins 22 Supply	2	21,22
Ram Battery	1	23
+12V Control [P4]	1	24
High Voltage to pins 22 Control [P3]	1	25
Vpp Supply	1	26

E'SERIES PROGRAMMER CIRCUIT		
P.S.I. CIRCUIT		
DRAWN	JS	ELAN DIGITAL SYSTEMS LTD.
ISSUE	9	
DRG No.	285/4	



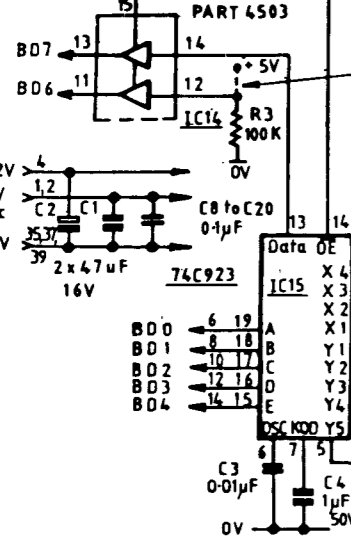
S5	S2	S1	S0	BAUD RATE
0	0	0	0	EXTERNAL CLOCK
0	0	0	1	"
0	0	1	0	50 BAUD
0	0	1	1	75 "
0	1	0	0	134.5 "
0	1	0	1	200 "
0	1	1	0	600 "
0	1	1	1	2400 "
1	0	0	0	9600 "
1	0	0	1	4800 "
1	0	1	0	1800 "
1	0	1	1	1200 "
1	1	0	0	2400 "
1	1	0	1	300 "
1	1	1	0	150 "
1	1	1	1	110 "

Connector 2
50 WAY

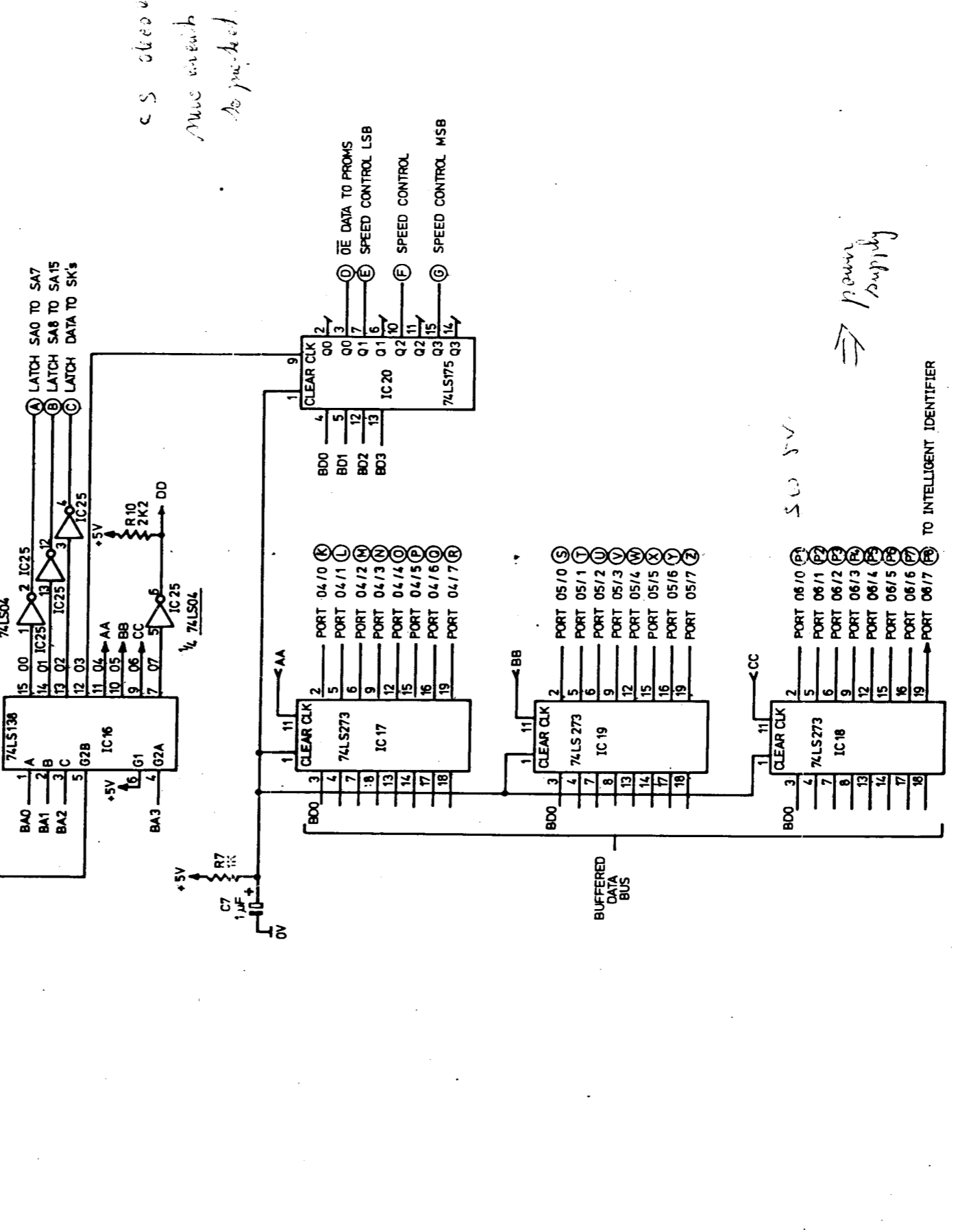
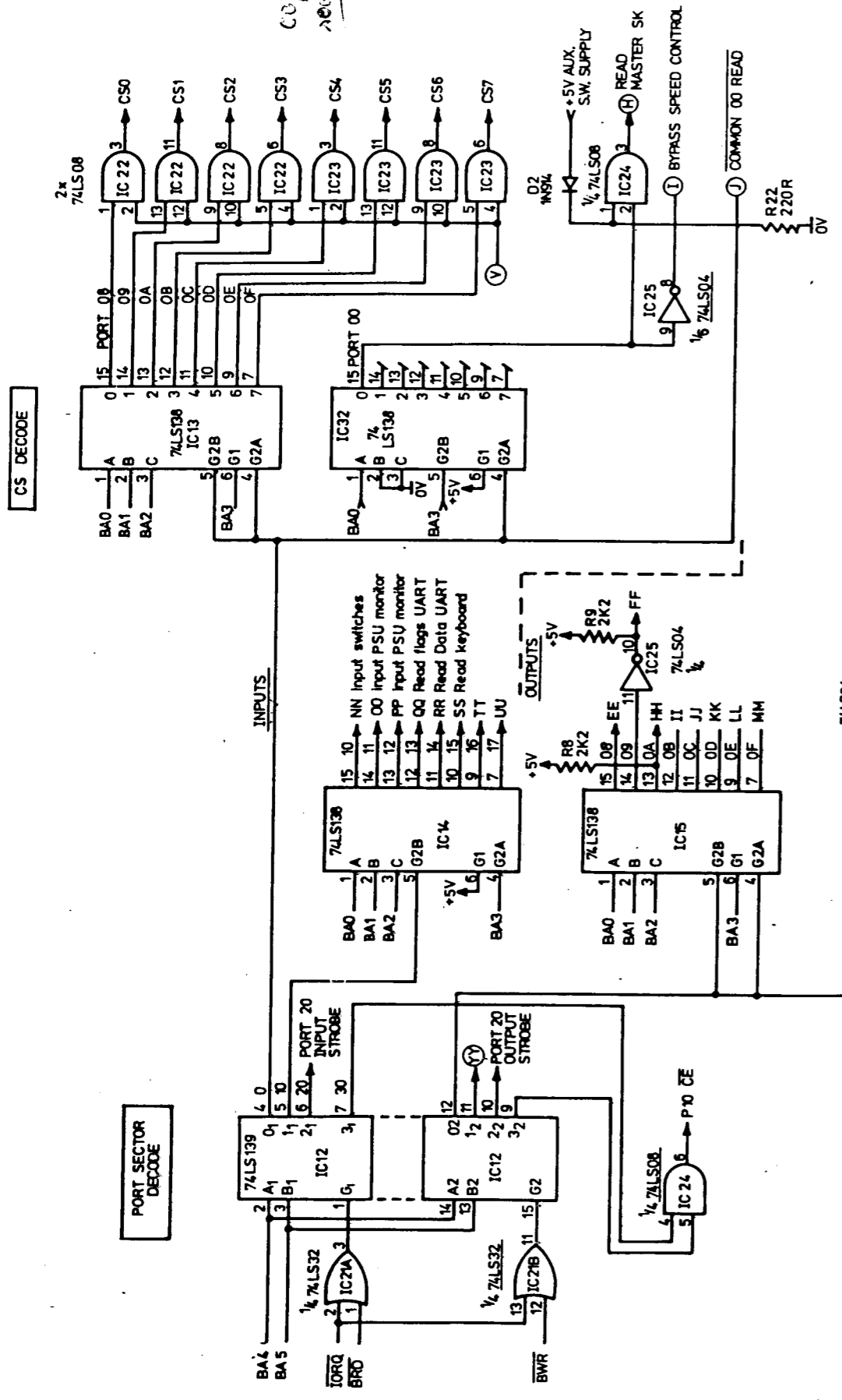
CLK	28 (CLOCK 2-4.5-7.6 MHz)
BD0	6
BD1	8
BD2	10
BD3	12
BD4	14
BD5	16
BD6	18
BD7	20

FF

34	Store Format A
36	Store Format B
38	Store Output Data
30	Read Flags
40	Read Keyboard
32	Read Data



E SERIES PROGRAMMER CIRCUITS	
RAM, I/O, KEYBOARD CIRCUIT	
DRAWN BY	JS ELAN DIGITAL SYSTEM LTD.
ISSUE	8
DRG. No	285/5



*CS decoder
new switch for A num
As per sheet.*

power supply

5.0 5V

TO INTELLIGENT IDENTIFIER

E SERIES PROGRAMMER CIRCUIT	
PORT & CS DECODE CIRCUITS	
DRAWN P.J.L.	ELAN DIGITAL
ISSUE 8	SYSTEMS LTD
DRG. N°: 285/6	

*copy
recheck*

OUTPUT PORT LATCHES

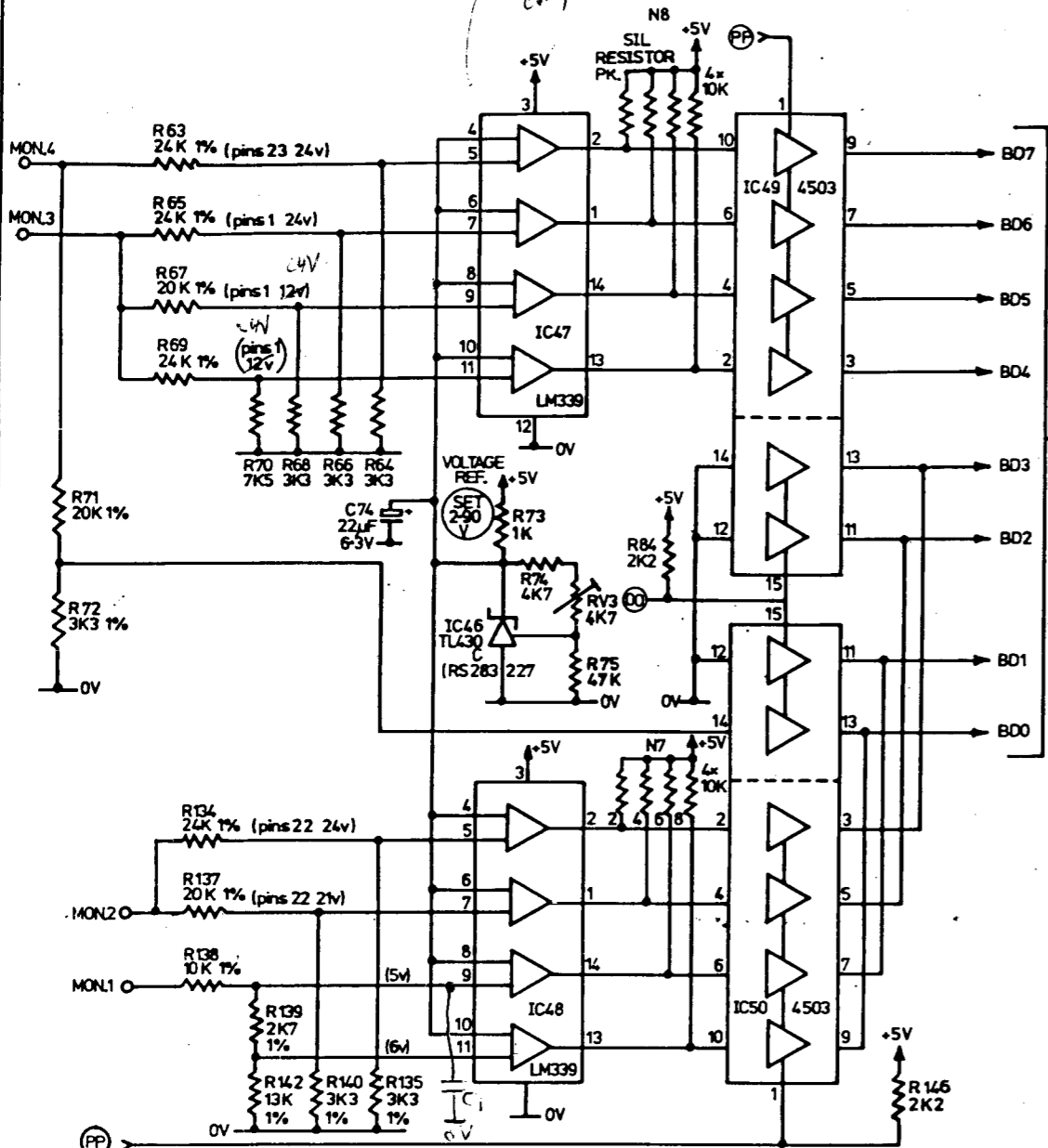
CS DECODE

PORT SECTOR DECODE

BUFFERED DATA BUS

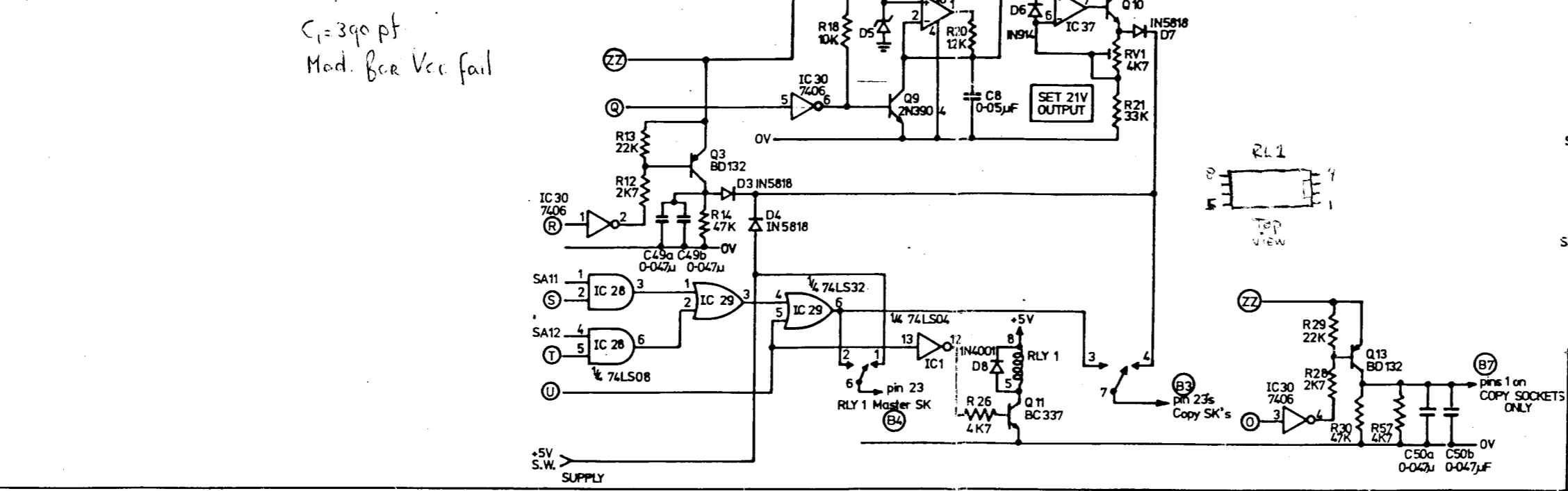
OUTPUT PORT LATCHES

precision voltage comparator (Vref)
 of MON4 = 24V then 2.91V of scheduled vcc
 2.89 2.81V & 1.0

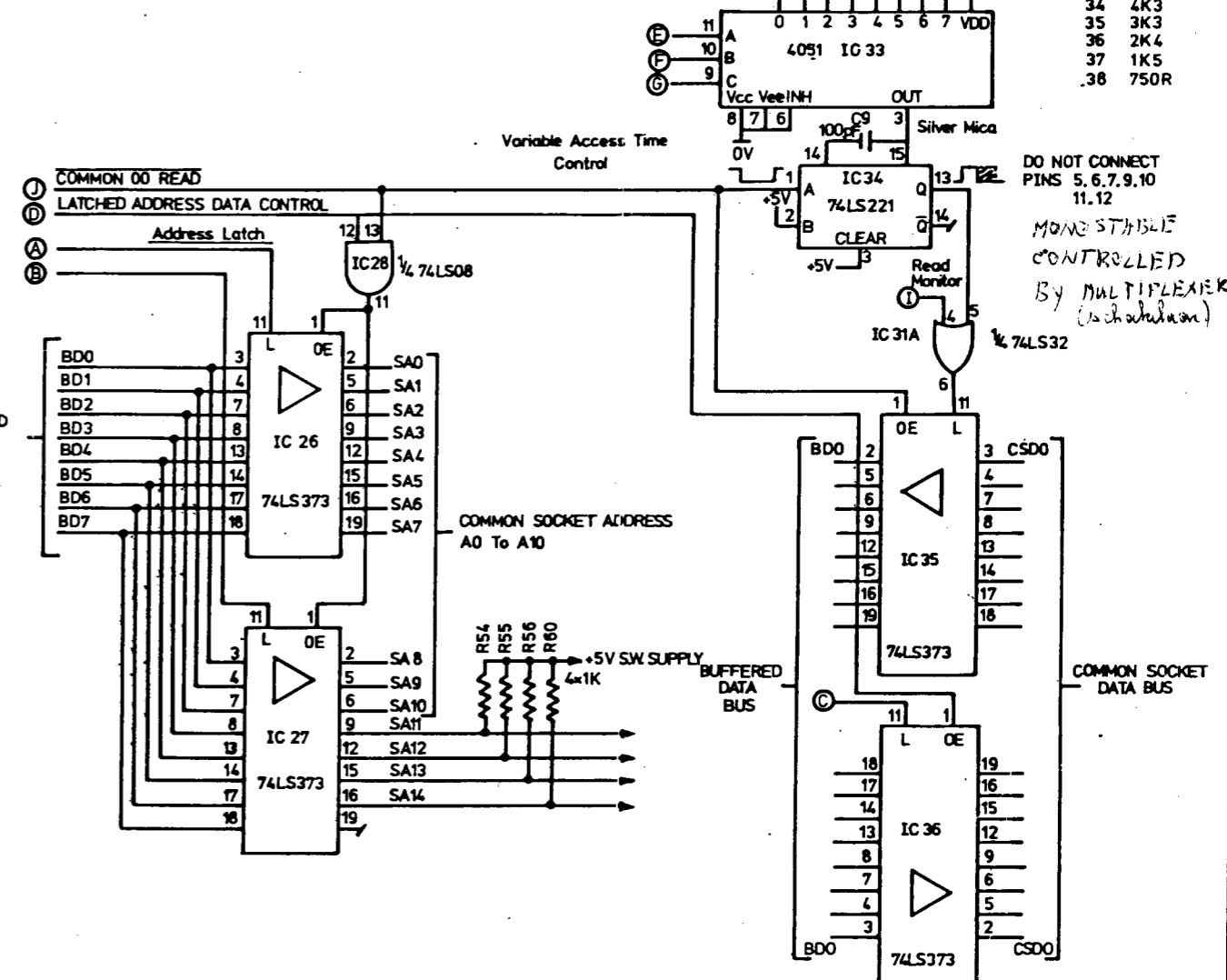


$C_1 = 390\text{ pf}$
 Mod. for Vcc fail

BUFFERED DATA BUS



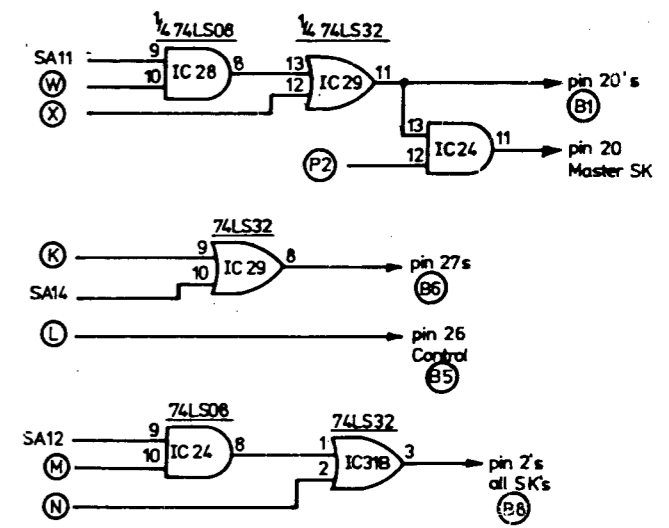
DYNAMIC ADDRESS CIRCUIT



1% Resistors

R31	7K5
32	6K2
33	5K6
34	4K3
35	3K3
36	2K4
37	1K5
38	750R

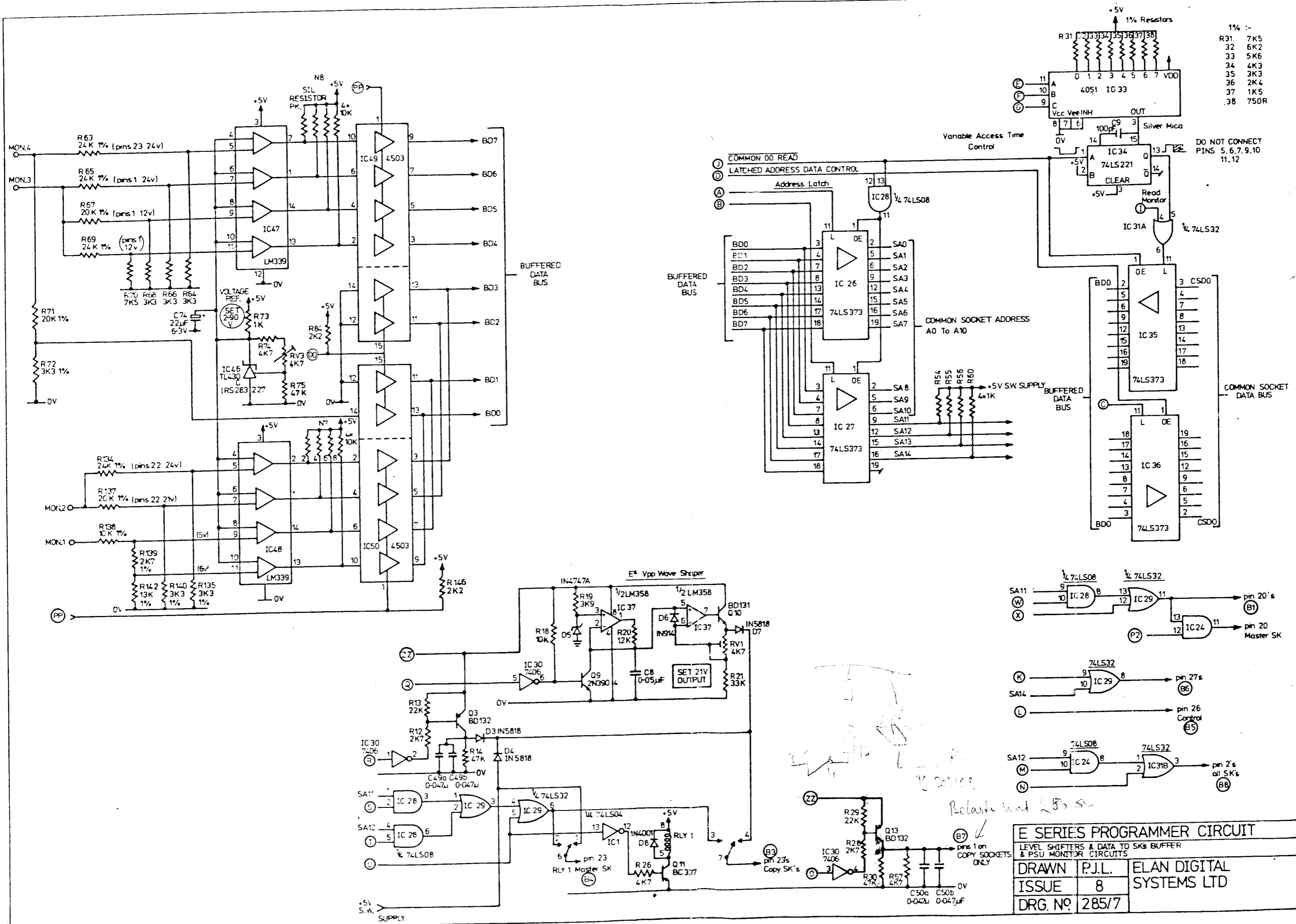
DO NOT CONNECT PINS 5, 6, 7, 9, 10, 11, 12
 MONOSTABLE CONTROLLED BY MULTIPLEXER (as scheduled)



E SERIES PROGRAMMER CIRCUIT

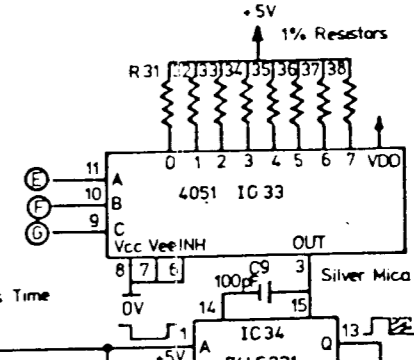
LEVEL SHIFTERS & DATA TO SKs BUFFER & PSU MONITOR CIRCUITS

DRAWN	P.J.L.	ELAN DIGITAL
ISSUE	8	SYSTEMS LTD
DRG. NO.	285/7	

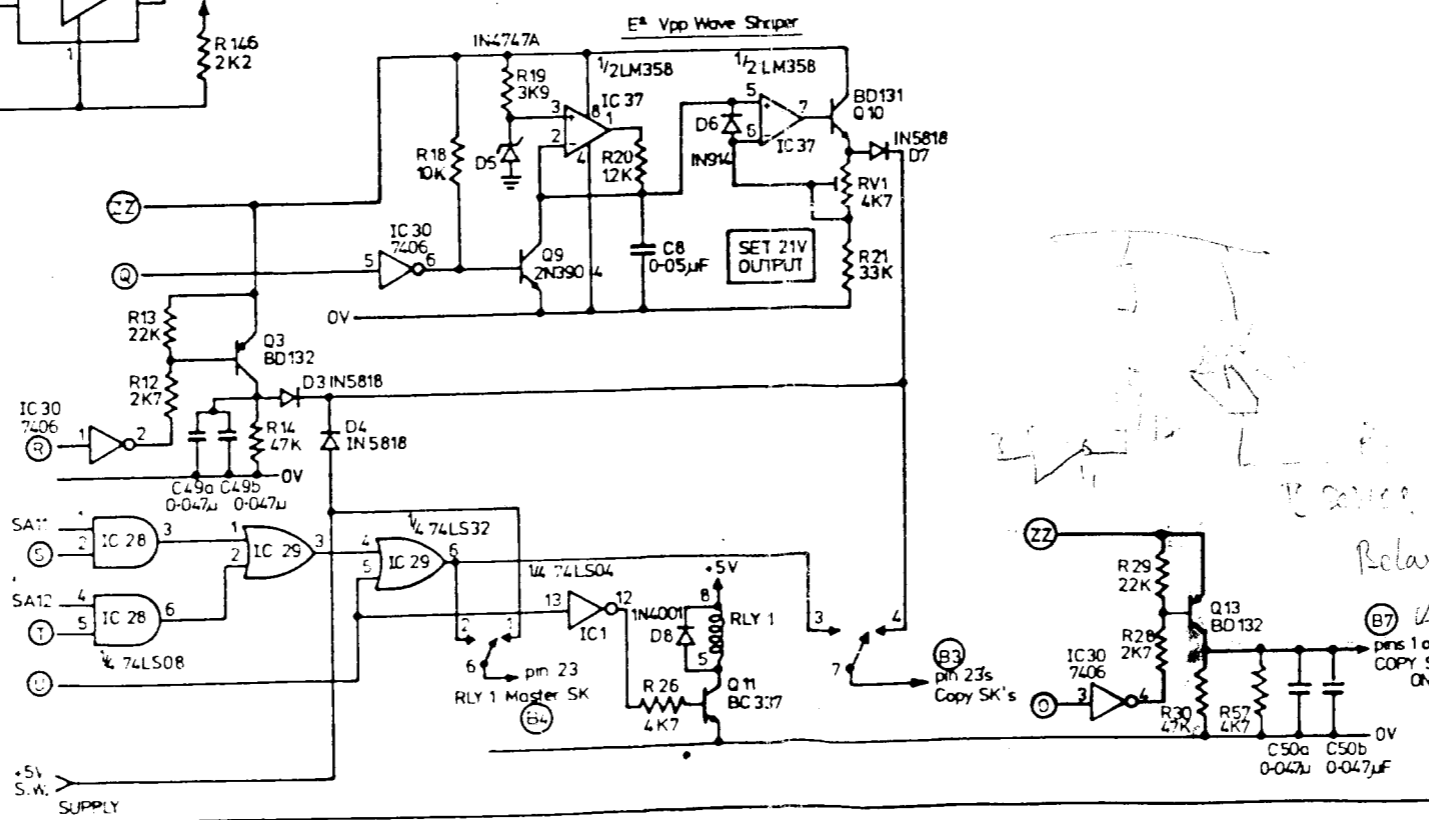
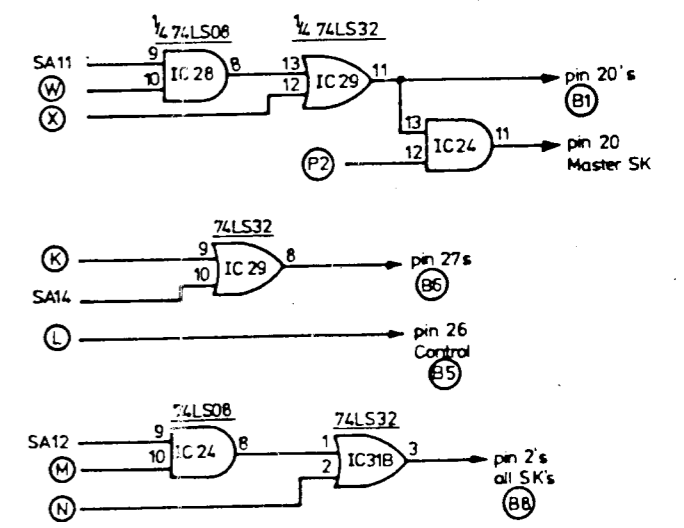
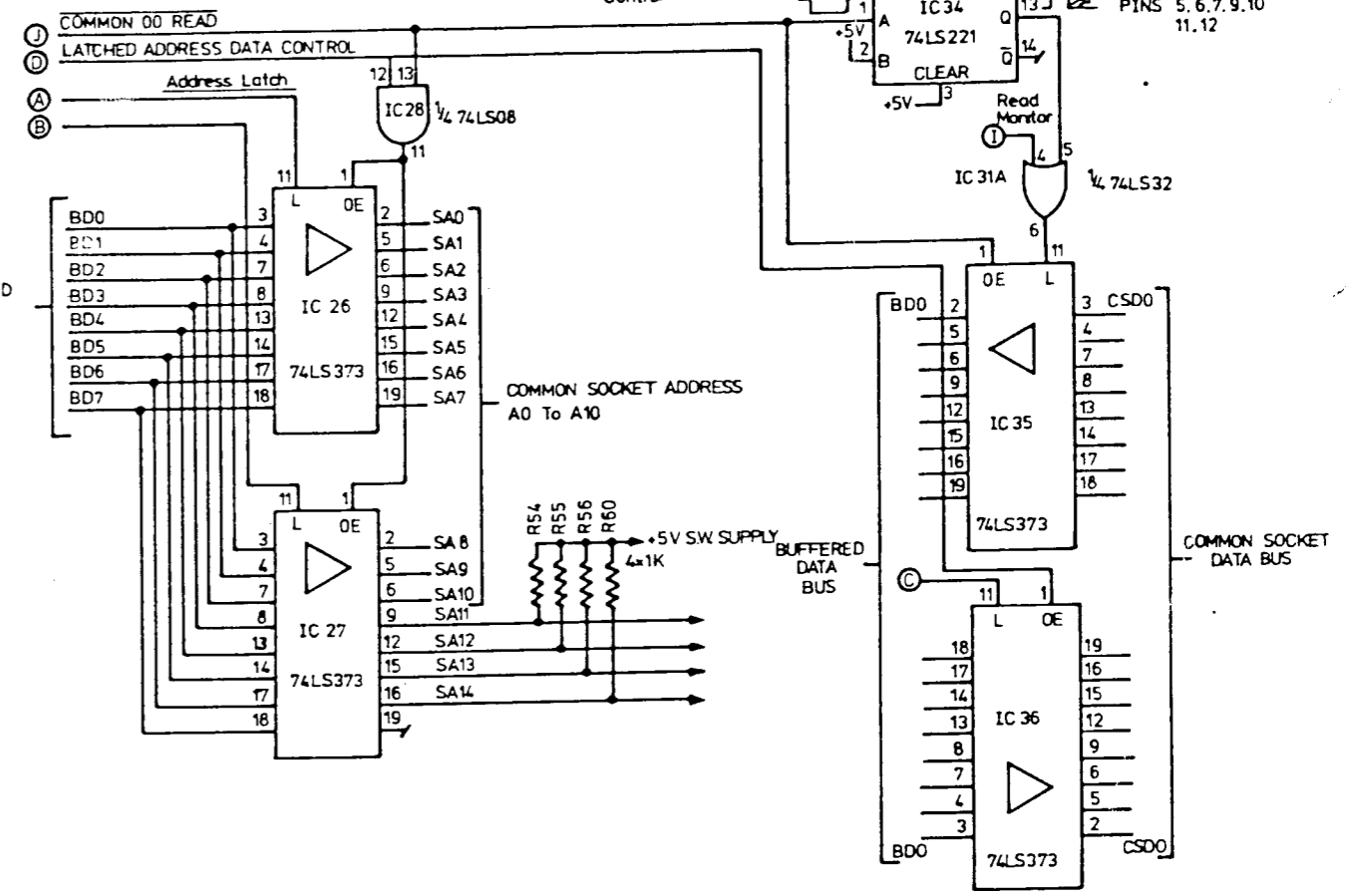


1% :-

R31	7K5
32	6K2
33	5K6
34	4K3
35	3K3
36	2K4
37	1K5
38	750R



DO NOT CONNECT PINS 5, 6, 7, 9, 10, 11, 12



Relay with 250's SW

E SERIES PROGRAMMER CIRCUIT		
LEVEL SHIFTERS & DATA TO SK'S BUFFER & PSU MONITOR CIRCUITS		
DRAWN	P.J.L.	ELAN DIGITAL SYSTEMS LTD
ISSUE	8	
DRG. NO.	285/7	