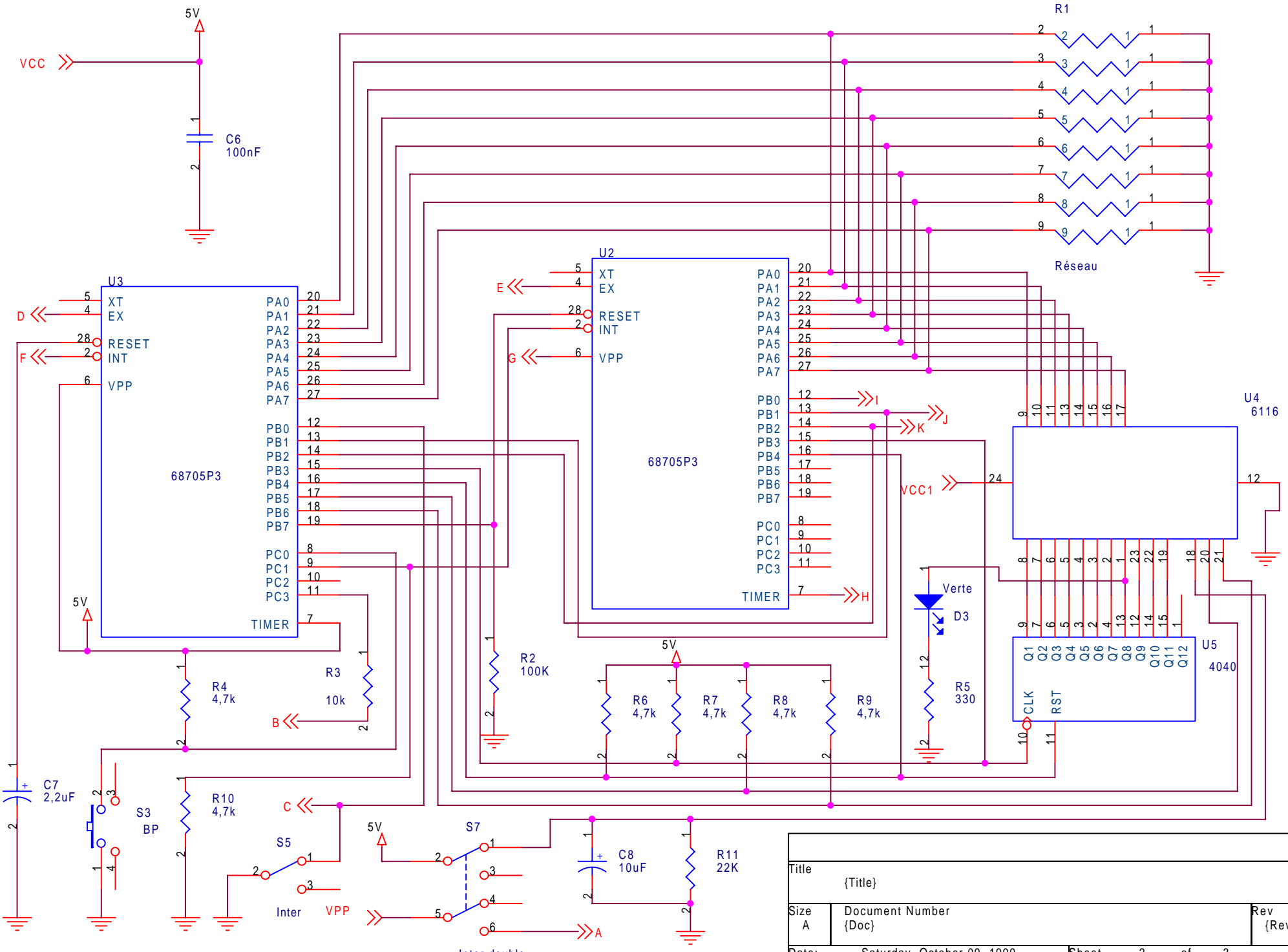
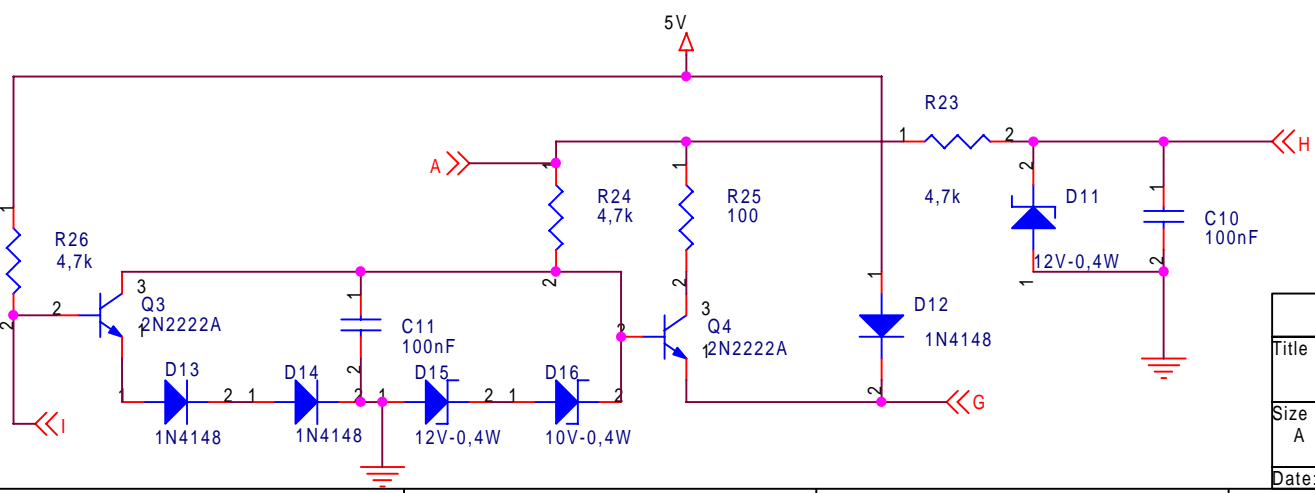
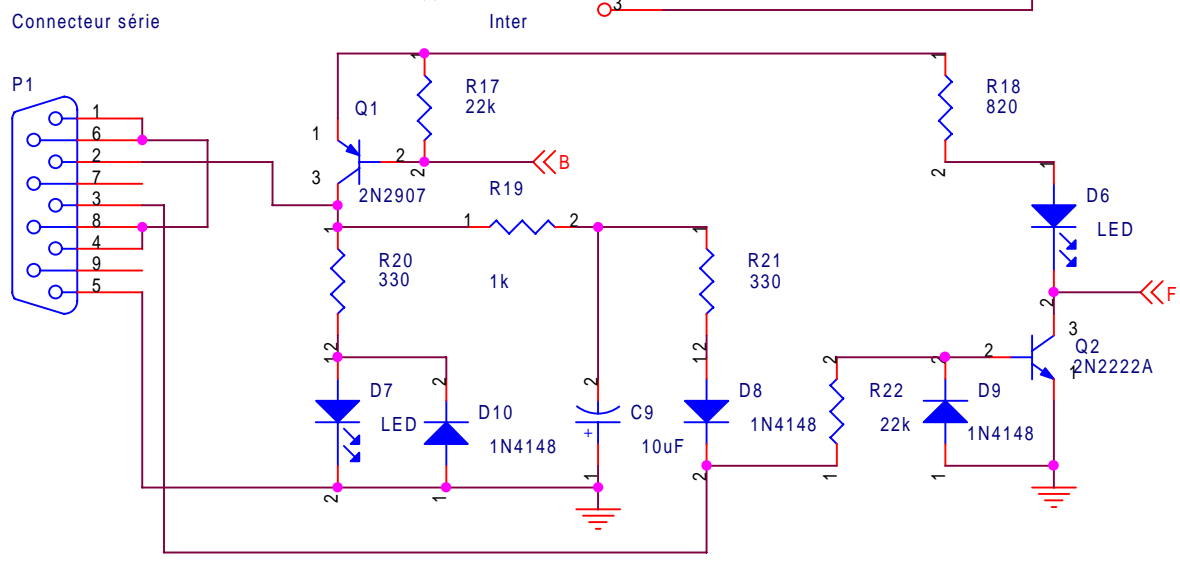
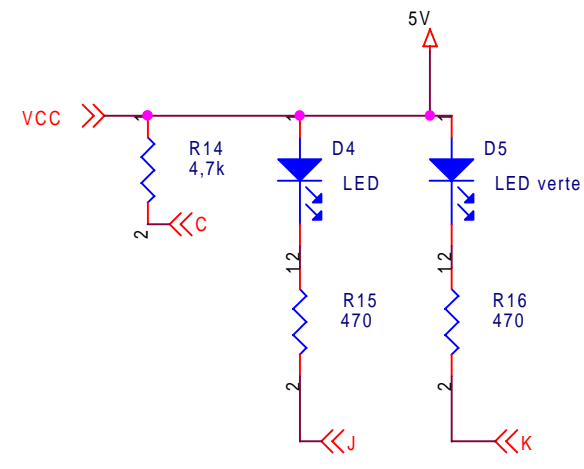
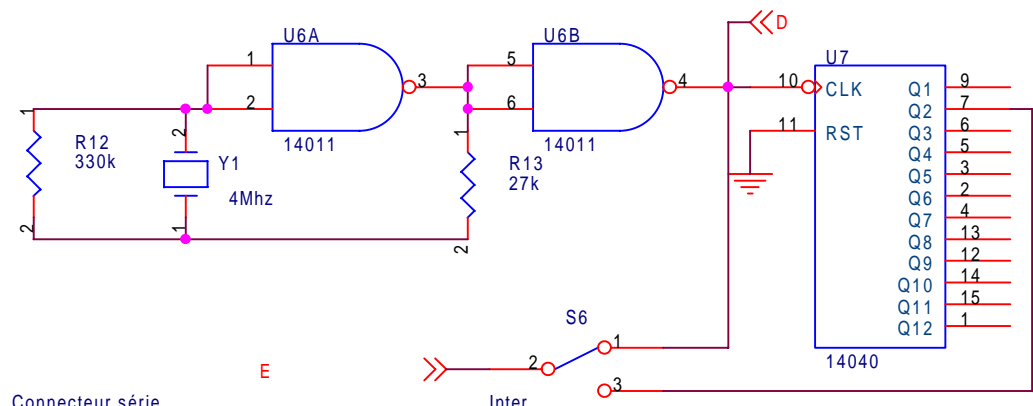


Title		
{Title}		
Size	Document Number	Rev
A	{Doc}	{RevCode}
Date:	Saturday, October 09, 1999	Sheet 1 of 3



Title {Title}		
Size A	Document Number {Doc}	Rev {RevCode}
Date:	Saturday, October 09, 1999	Sheet 2 of 3



Title		
{Title}		
Size	Document Number	Rev
A	{Doc}	{RevCode}
Date:	Saturday, October 09, 1999	Sheet 3 of 3

Revised: Saturday, October 09, 1999
Revision:

Bill Of Materials October 9,1999 15:09:06 Page1

Item	Quantity	Reference	Part
1	1	C1	100uF
2	1	C2	470uF
3	3	C3,C8,C9	10uF
4	5	C4,C5,C6,C10,C11	100nF
5	1	C7	2,2uF
6	2	D1,D2	Pont
7	1	D3	Verte
8	3	D4,D6,D7	LED
9	1	D5	LED verte
10	6	D8,D9,D10,D12,D13,D14	1N4148
11	2	D15,D11	12V-0,4W
12	1	D16	10V-0,4W
13	1	JP1	220v
14	1	P1	Connecteur série
15	1	Q1	2N2907
16	3	Q2,Q3,Q4	2N2222A
17	1	R1	Réseau
18	1	R2	100K
19	1	R3	10k
20	10	R4,R6,R7,R8,R9,R10,R14, R23,R24,R26	4,7k
21	3	R5,R20,R21	330
22	3	R11,R17,R22	22k
23	1	R12	330k
24	1	R13	27k
25	2	R15,R16	470
26	1	R18	820
27	1	R19	1k
28	1	R25	100
29	4	S1,S2,S5,S6	Inter
30	1	S3	BP
31	1	S7	Inter double
32	1	T1	24V
33	1	T2	9V
34	1	U1	5V
35	2	U3,U2	68705P3
36	1	U5	4040
37	1	U6	14011
38	1	U7	14040
39	1	U8	6116
40	1	Y1	4Mhz