

BUS ISA

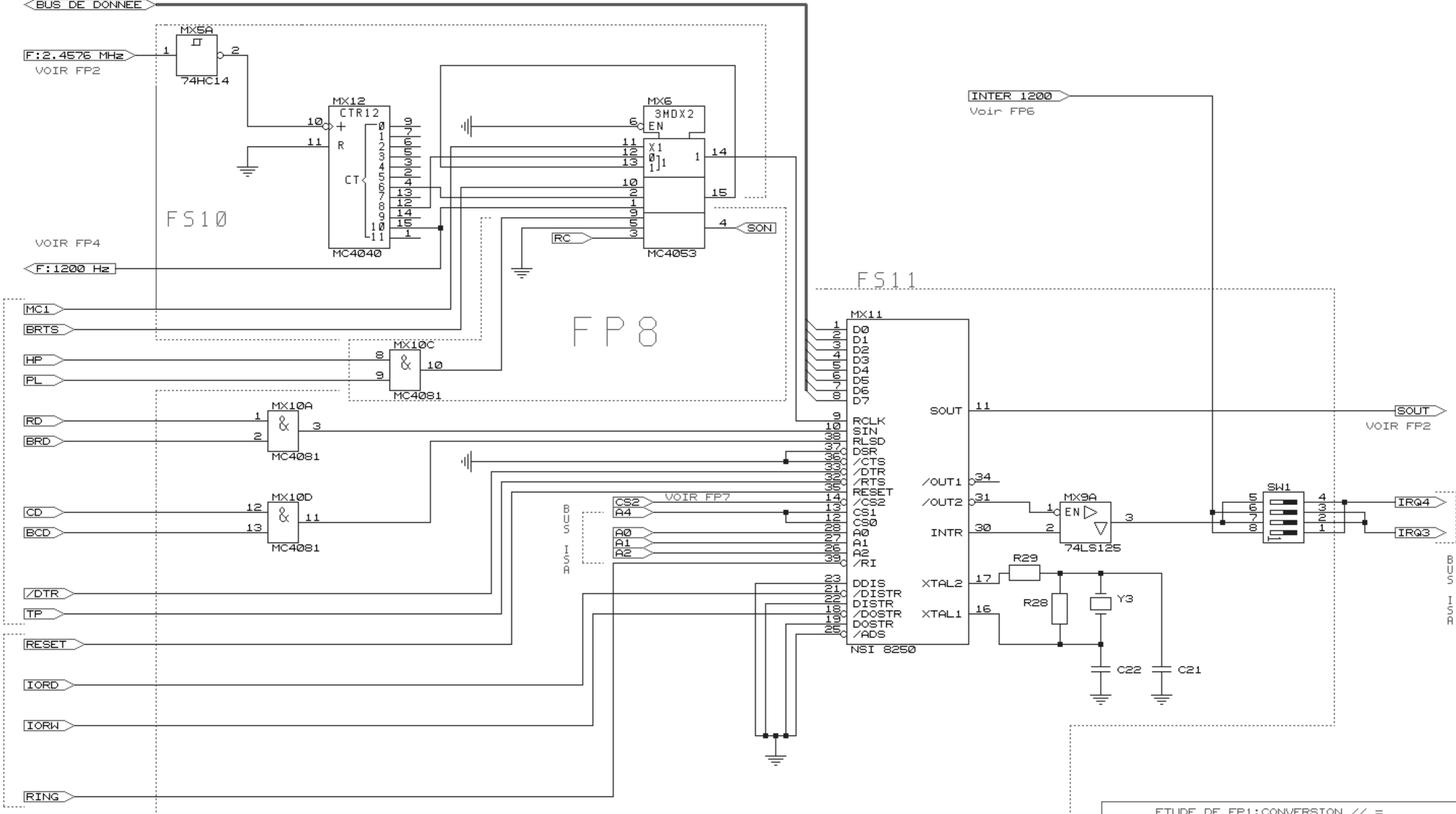
BUS DE DONNEE

F: 2.4576 MHz  
VOIR FP2

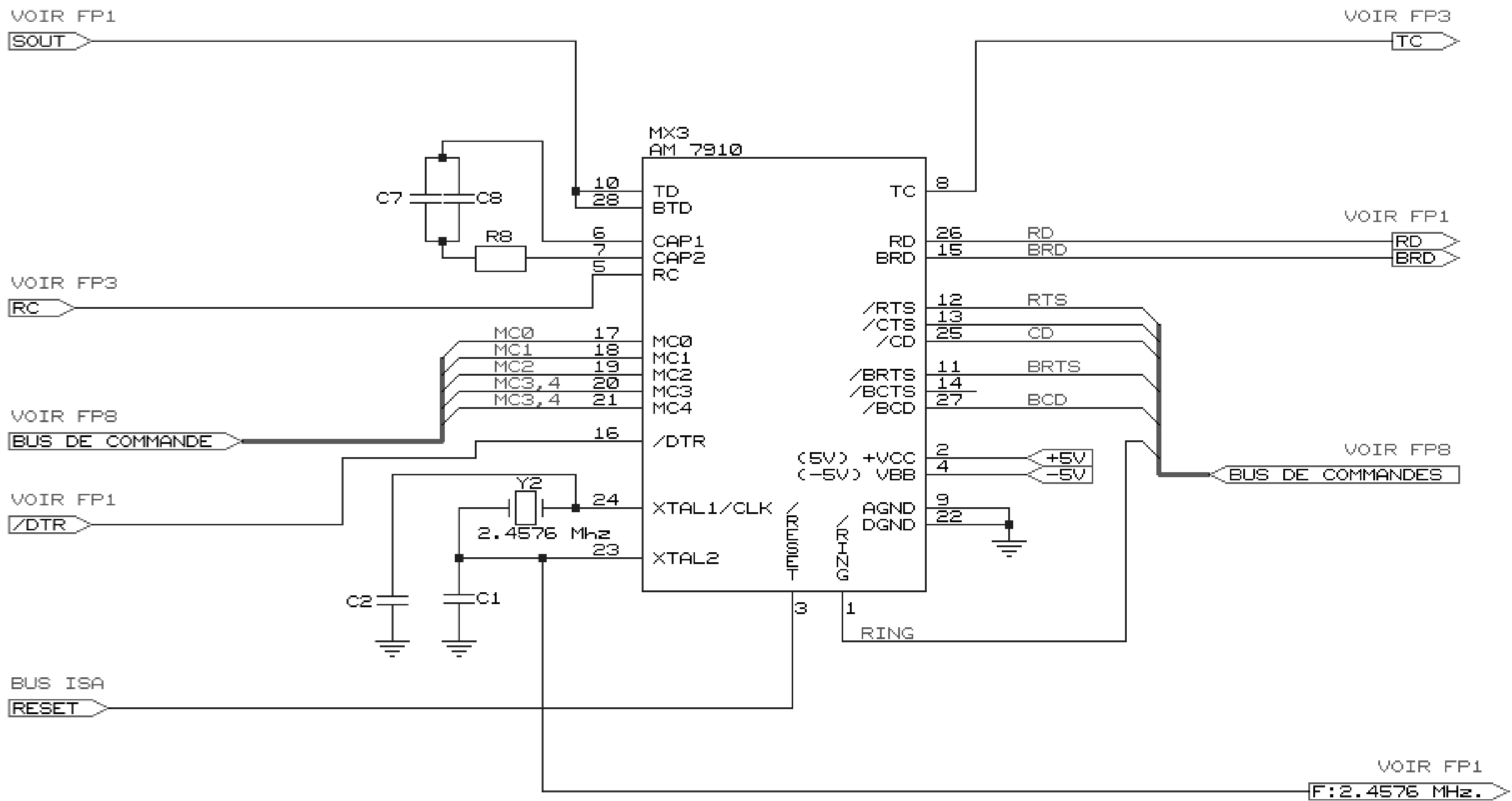
VOIR FP4  
F: 1200 Hz

INTER 1200  
Vair FP6

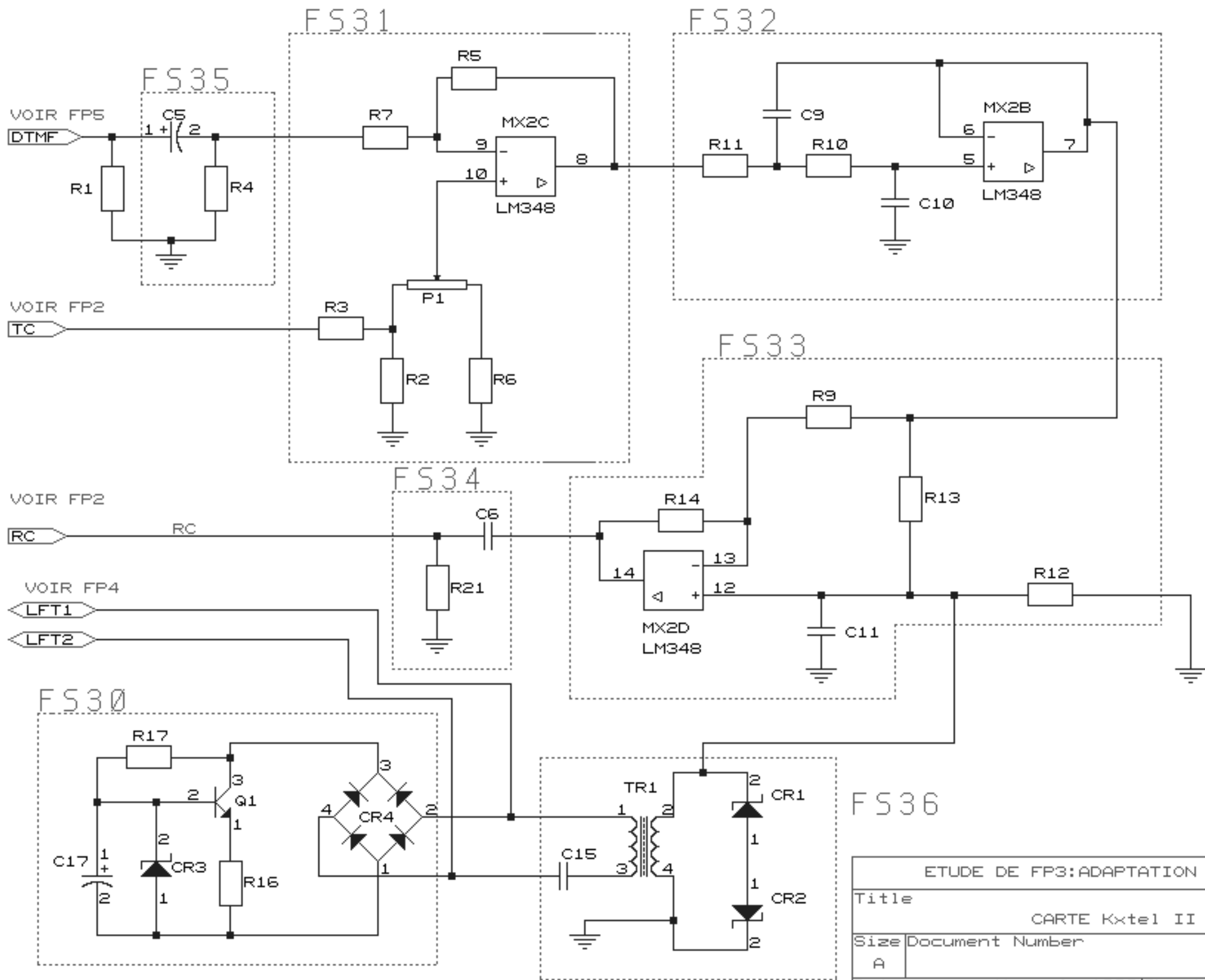
SUB SYSTEM FOR COMMUNICATION



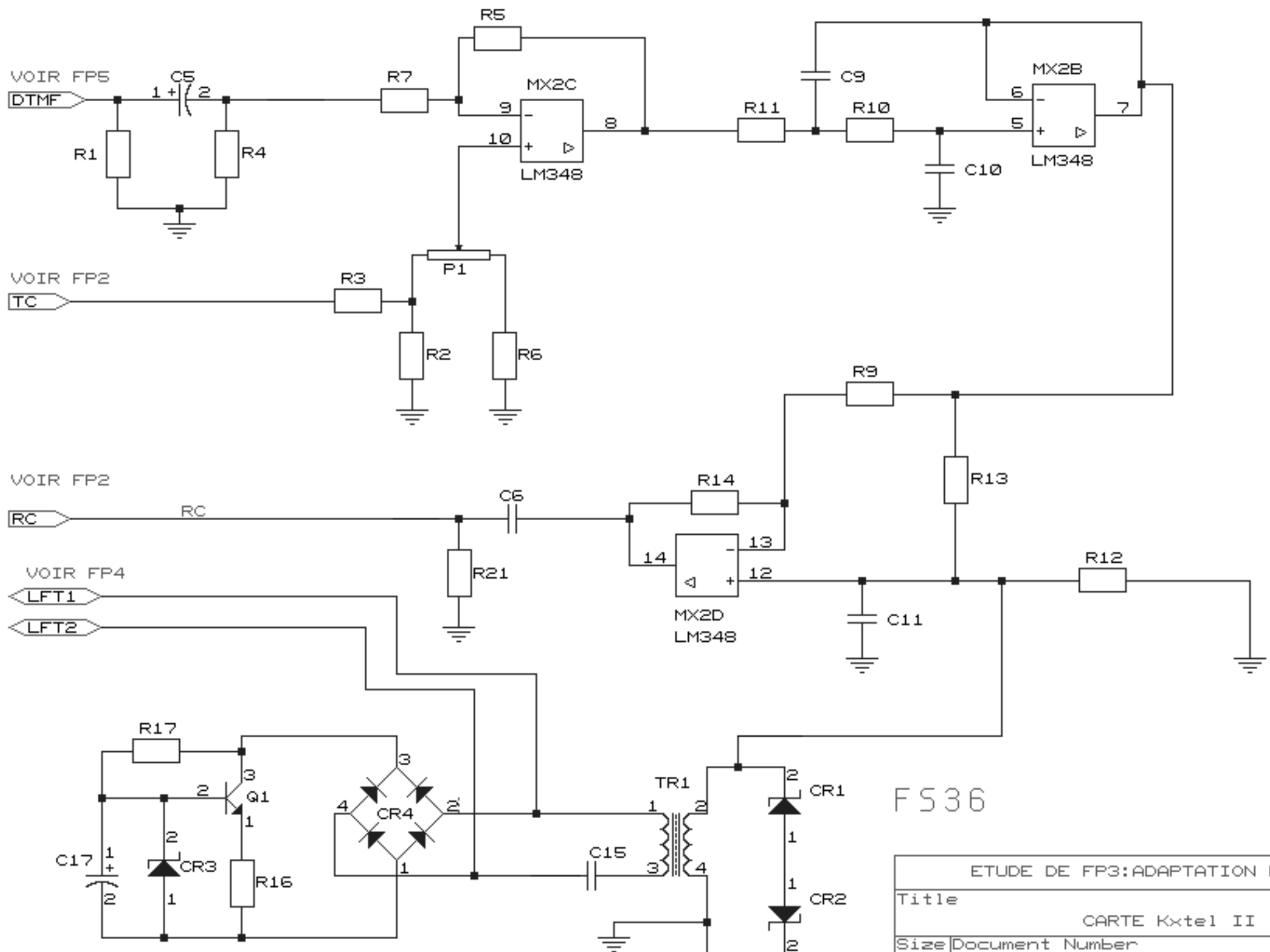
ETUDE DE FP1:CONVERSION // =		
ETUDE DE FP8:CONTROLE DE VOLUME		
Title		
CARTE KORTEK KXTEL II		
Size	Document Number	FNC
B		1-9
Date:	May 18, 1992	Sheet of



ETUDE DE FP2:MODULATION DEMODULATION		
Title		
CARTE KORTEK KXTEL II		
Size	Document Number	FNC
A		FP2
Date:	May 9, 1992	Sheet of

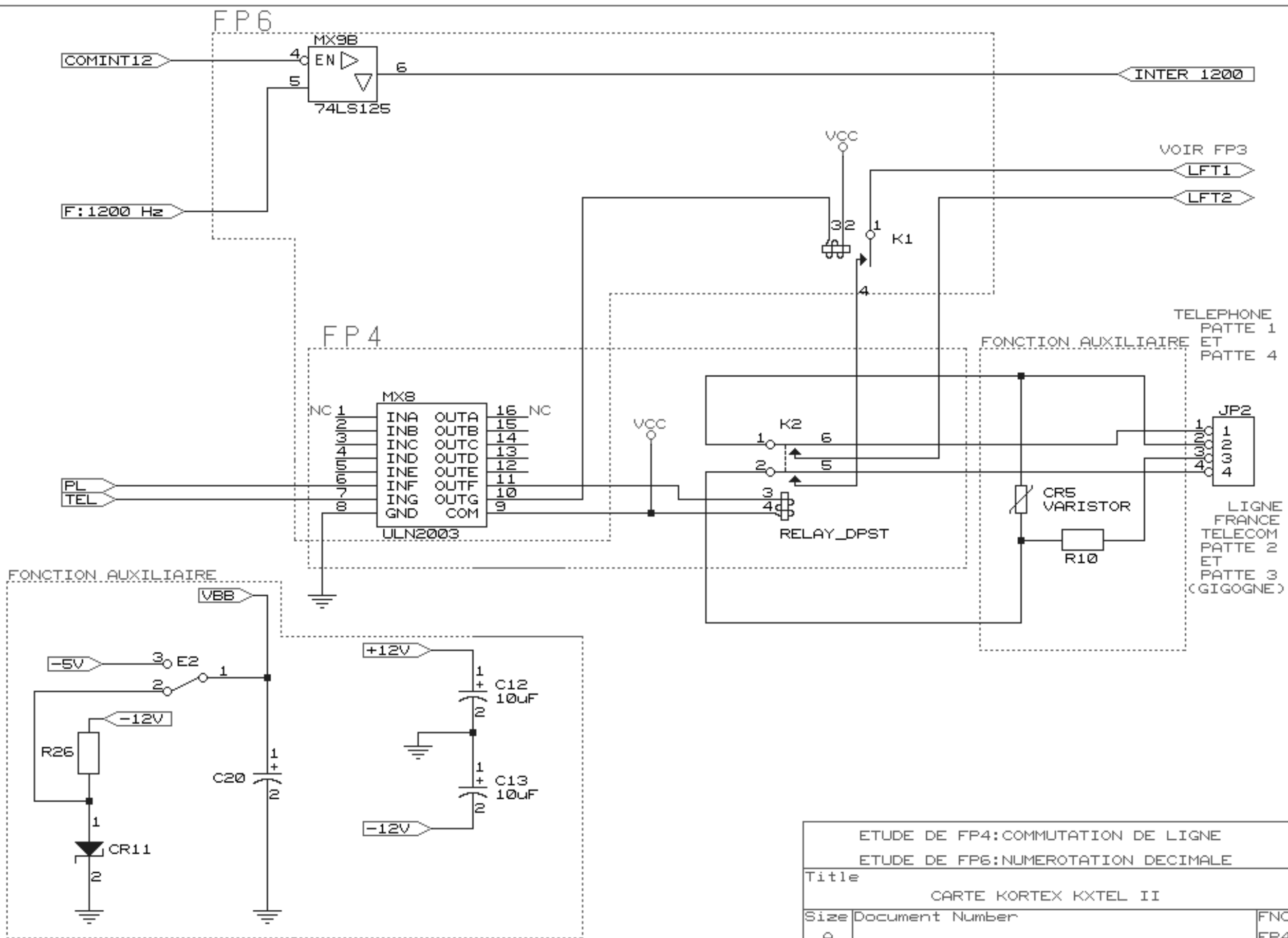


ETUDE DE FP3:ADAPTATION DE LIGNE		
Title		
CARTE Kxtel II		
Size	Document Number	REV
A		FP3
Date:	May 4, 1992	Sheet of

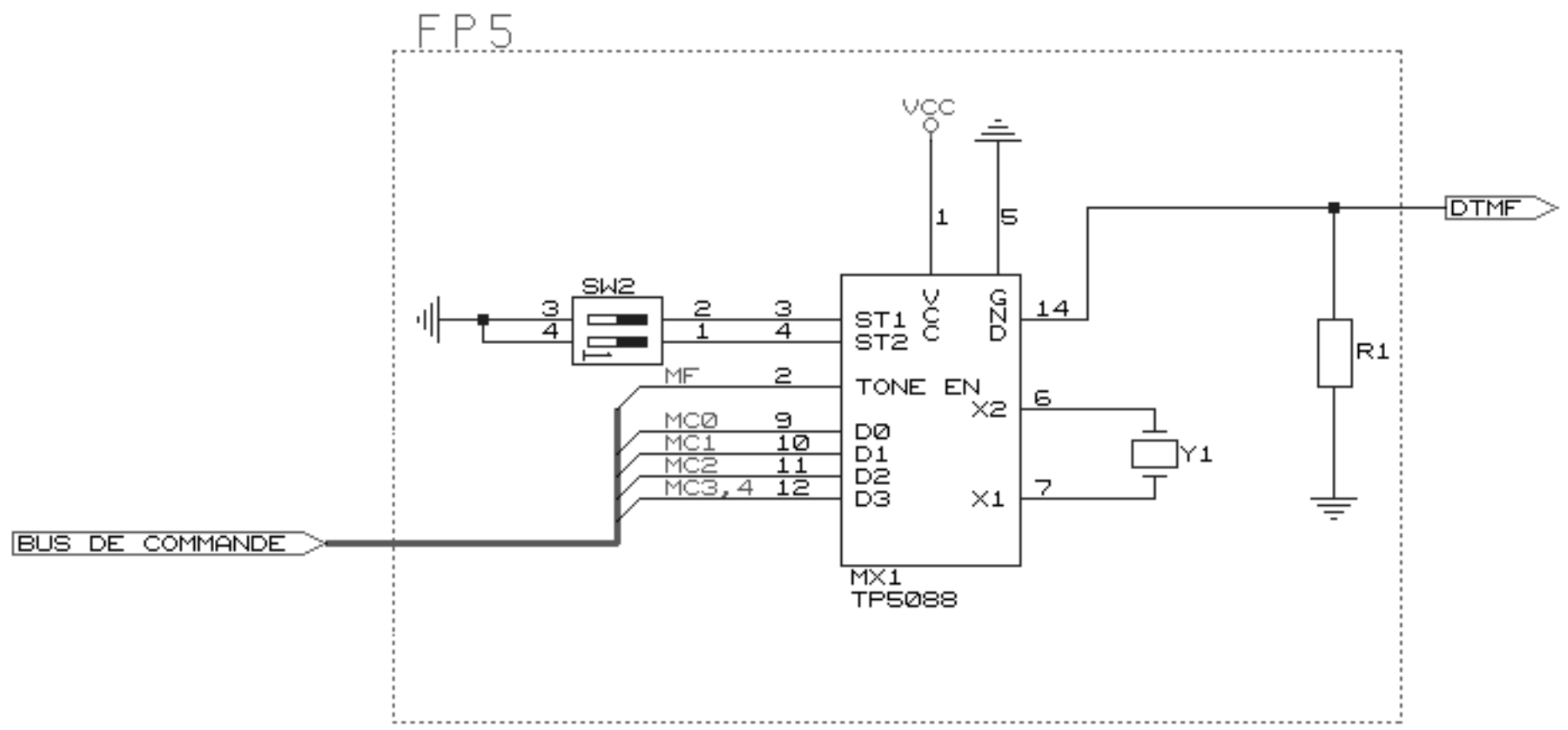


F536

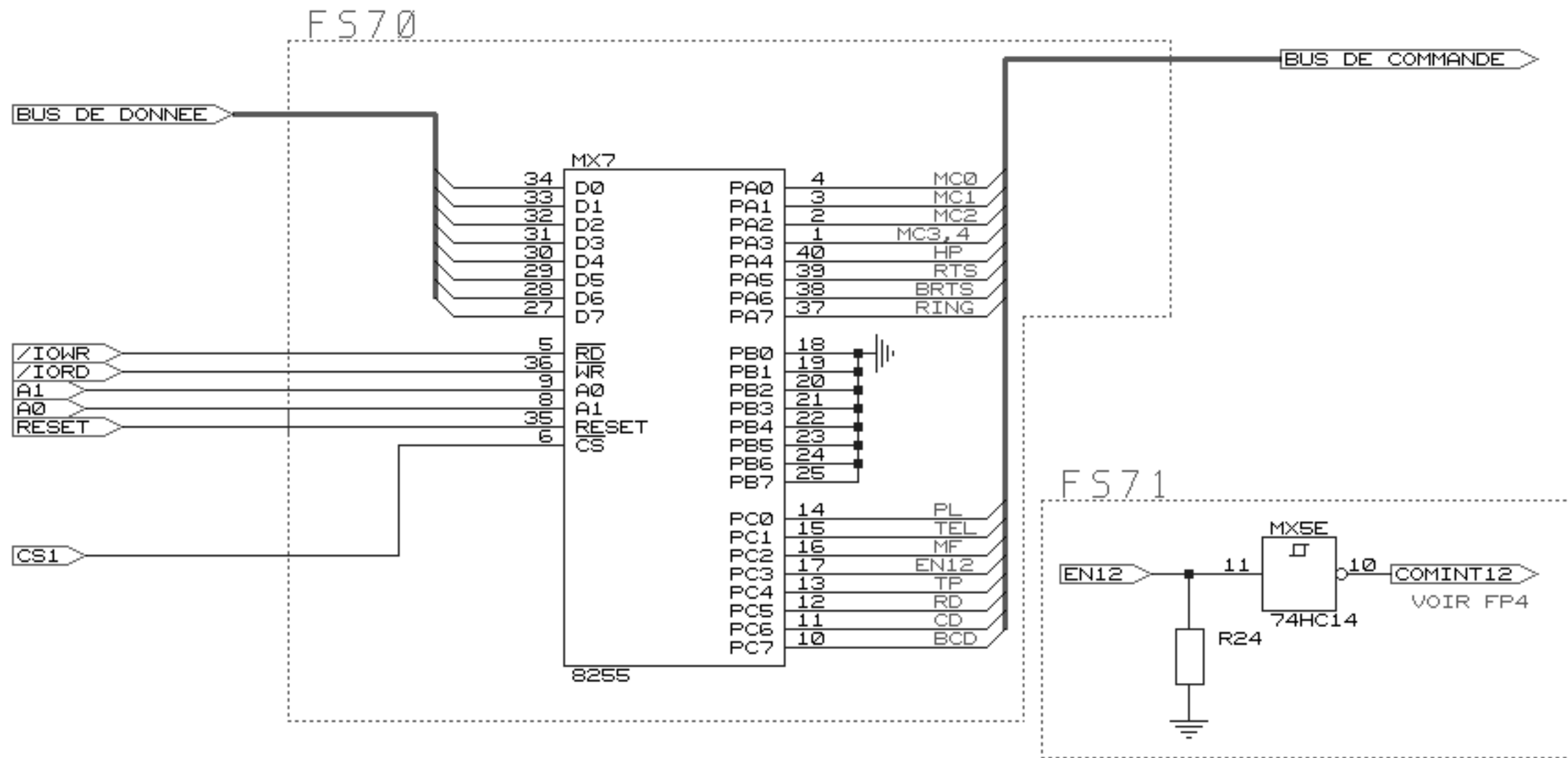
ETUDE DE FP3:ADAPTATION DE LIGNE		
Title		
CARTE Kxtel II		
Size	Document Number	REV
A		FP3
Date:	May 4, 1992	Sheet of



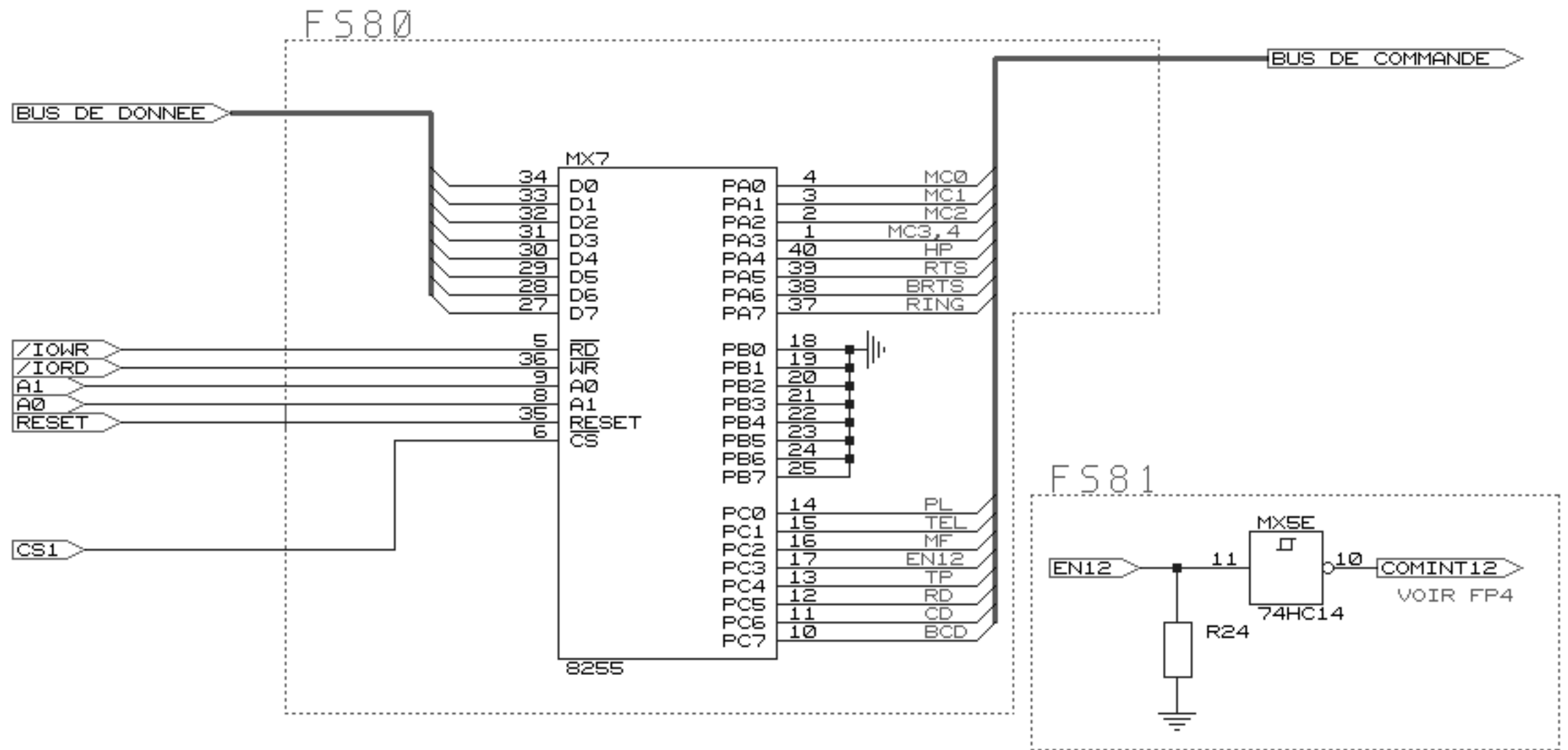
ETUDE DE FP4:COMMUTATION DE LIGNE		
ETUDE DE FP6:NUMEROTATION DECIMALE		
Title		
CARTE KORTEK KXTEL II		
Size	Document Number	FNC
A		FP4
Date:	May 11, 1992	Sheet of



Title		
Carte KXTEL II		
Size	Document Number	FNC
A		FP5
Date:	May 8, 1992	Sheet of



ETUDE DE FP7:ADAPTATION DE DONNEES		
Title		
CARTE KORTEX KXTEL II		
Size	Document Number	FNC
A		FP7
Date:	May 14, 1992	Sheet of



ETUDE DE FP8:ADAPTATION DE DONNEE

Title

CARTE KORTEK KXTEL II

Size Document Number

A

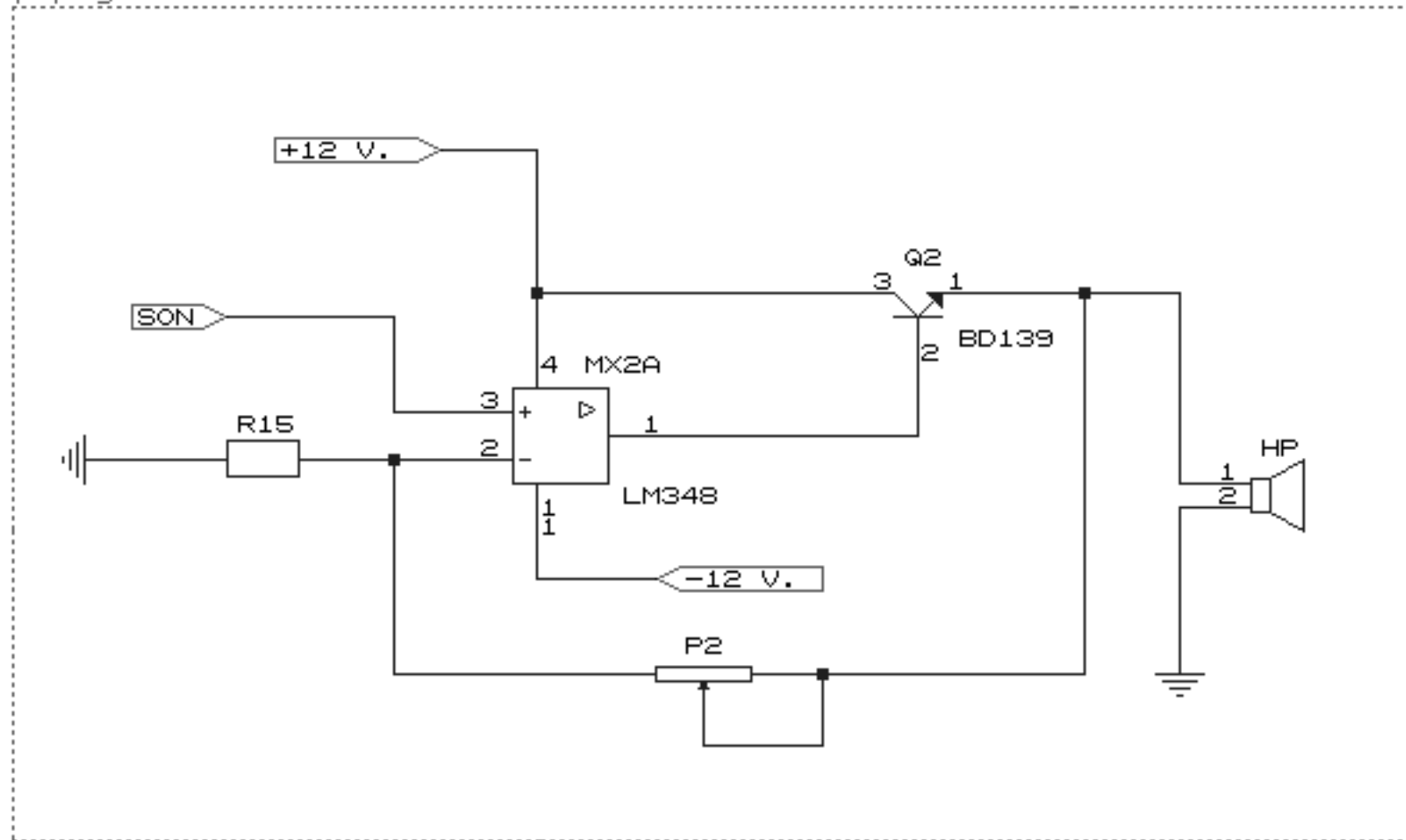
FNC

FP8

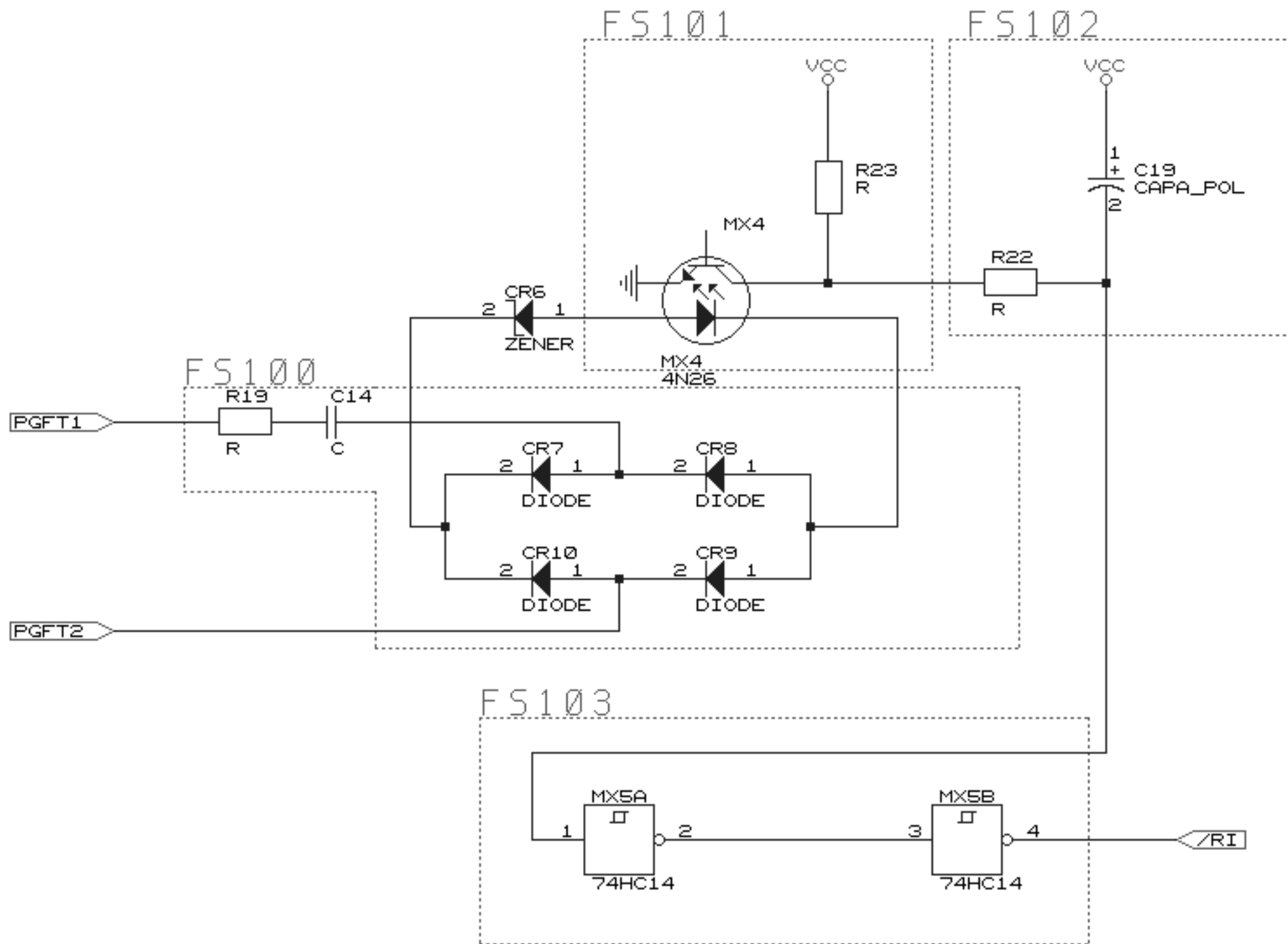
Date: May 9, 1992 Sheet of



FP9



ETUDE DE FP9:EMISSION SONORE		
Title		
CARTE KORTEK KXTEL II		
Size	Document Number	FNC
A		FP9
Date:	May 15, 1992	Sheet of



ETUDE DE FP10:DETECTION DE SONNERIE		
Title		
CARTE KORTX KXTEL II		
Size	Document Number	FNC
A		10
Date:	May 14, 1992	Sheet of