

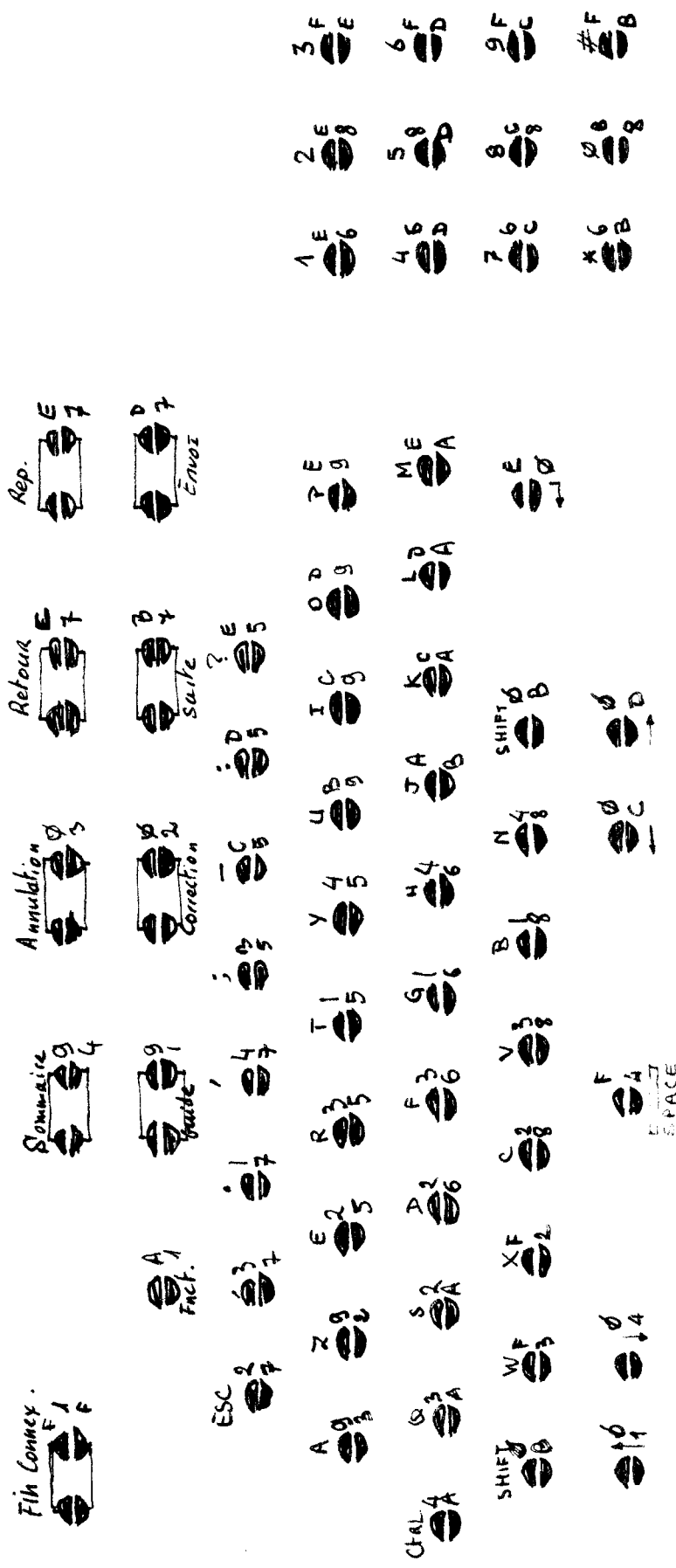
CND236AA1-CC 07

KB1259 Ø10 2300 9

date code 8939 □ M 1

• •

AAAAAAAAAAAAAAAA
123456789ABCDEF

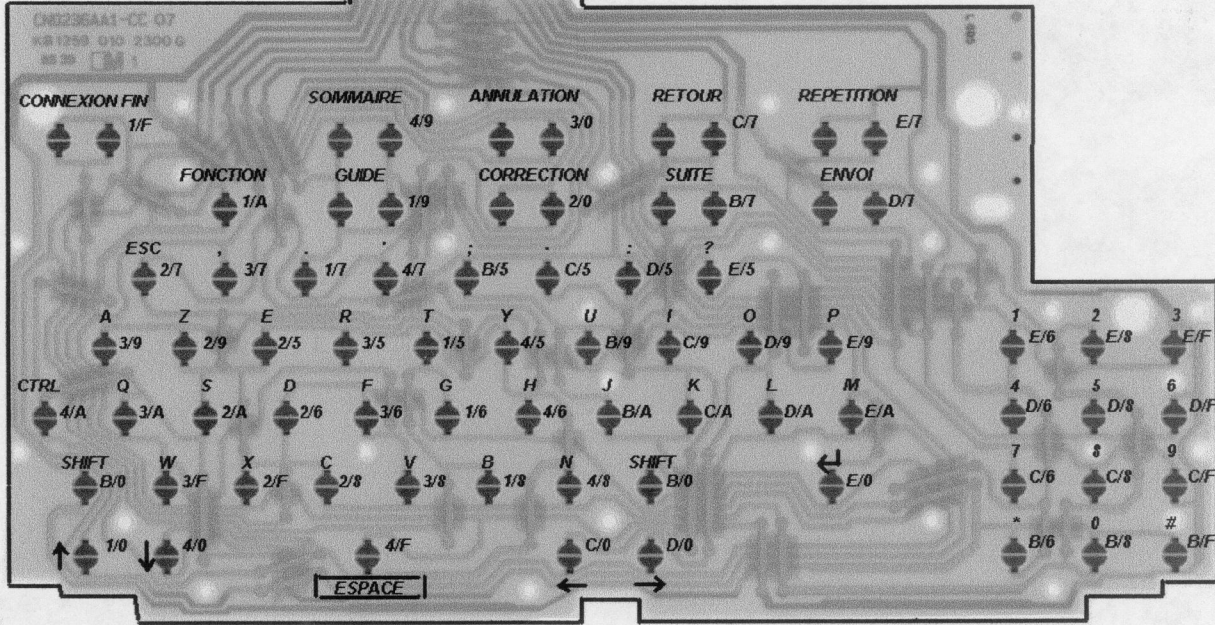


SPACE

CLAVIER MINITEL 64 TOUCHES
TYPE KB1259 010 2300 G

Rev. 1 (09/04/1999)

0.1.2.3.4.5.6.7.8.9.A.B.C.D.E.F



- 3, 4, 3, 2, 1, E, D, C, B,
- A, 4, 3, 2, 1, E, D, C, B
- 8, 4, 3, 2, 1, E, D, C, B
- ~~0, 4, 3, 2, 1, E, D, C, B.~~
- F, 4, 3, 2, 1, E, D, C, B
- 6, 4, 3, 2, 1, E, D, C, B
- S, 4, 3, 2, 1, E, D, C, B
- 7, 4, 3, 2, 1, E, D, C, B

	X0	X1	X2	X3	X4	X5	X6	X7
ϕ	1	2	3	4	B	C	D	E
5								
6								
7								
8								
9								
A								
F								

- X0
- Y1
- Y2
- Y3
- Y4
- Y5
- Y6
- Y7