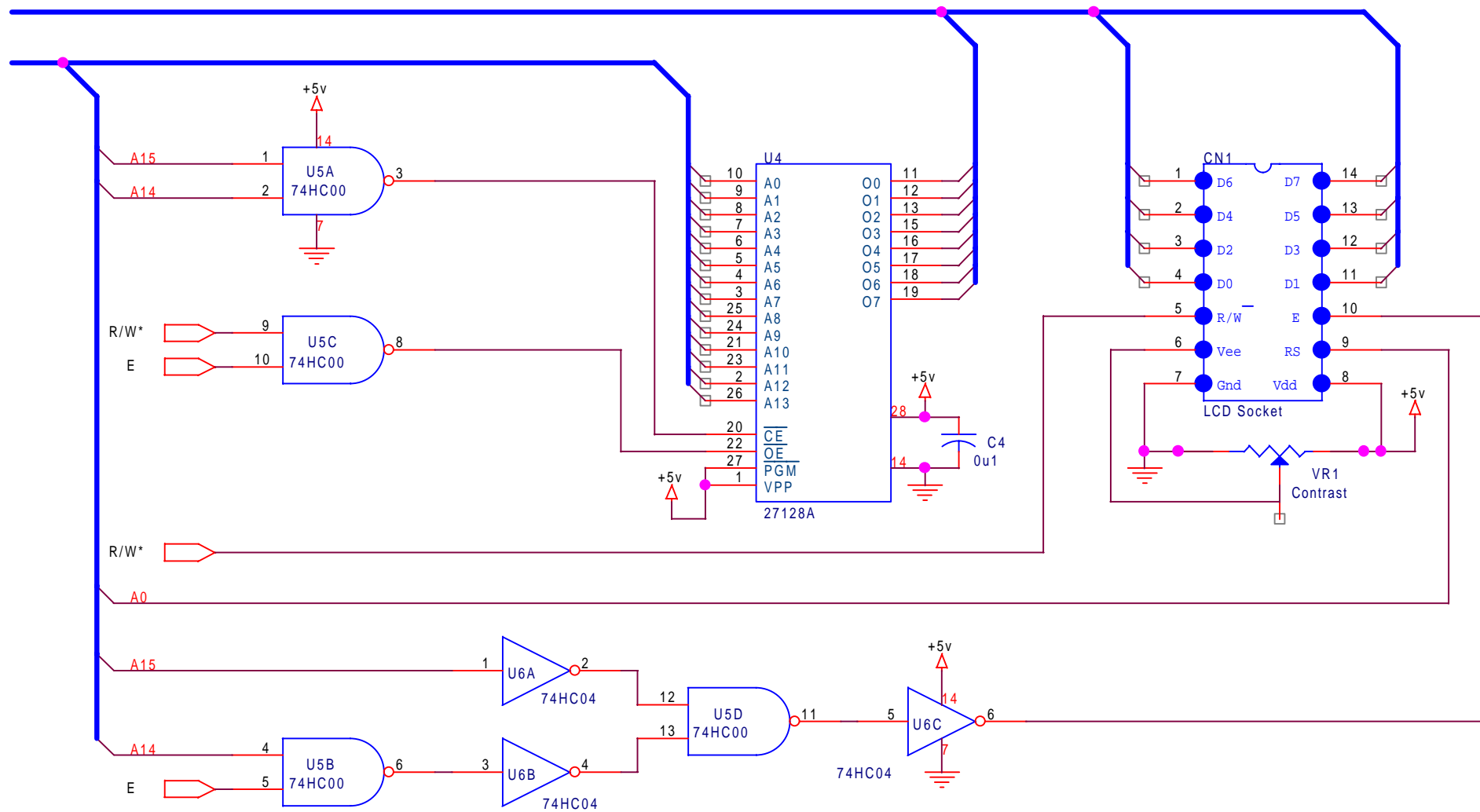


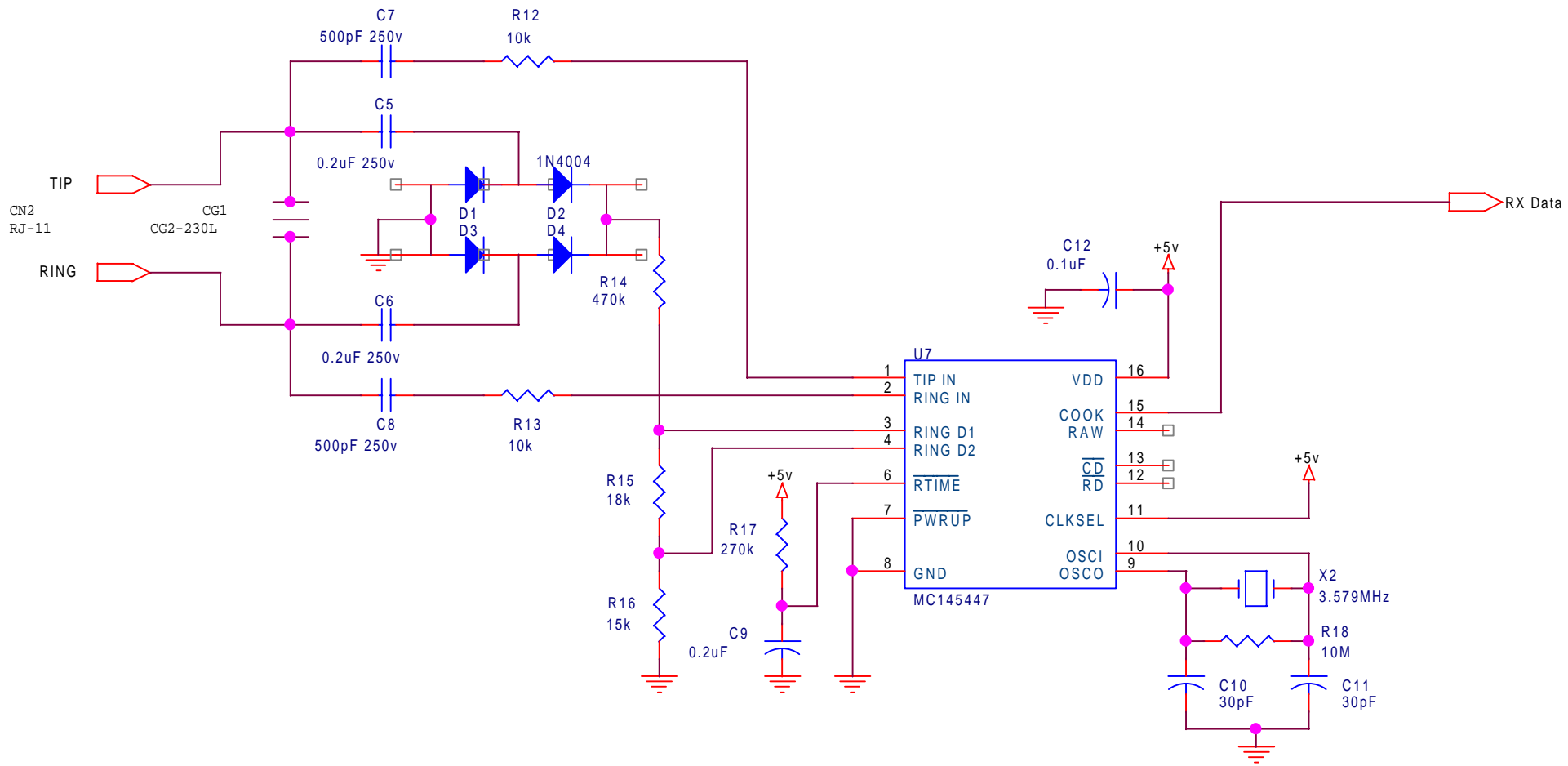
Drawn by Grant Beattie		
Title Call ID CPU		
Size A	Document Number CallID_1.esp	Rev A
Date:	Saturday, April 26, 1997	Sheet 1 of 3

EPROM
C000 - FFFF

LCD
4000 - 7FFF



Drawn by Grant Beattie		
Title Call ID Memory and LCD		
Size A	Document Number CallID_2.esp	Rev A
Date: Saturday, April 26, 1997	Sheet 2 of 3	



NOTE:

CG1 (COMGAP) protection circuit can be eliminated if phone jack (CN2) is paralleled with existing telephone.

Drawn by Grant Beattie		
Title Caller ID Telco Interface		
Size A	Document Number CallID_3.esp	Rev A
Date: Saturday, April 26, 1997	Sheet 3	of 3