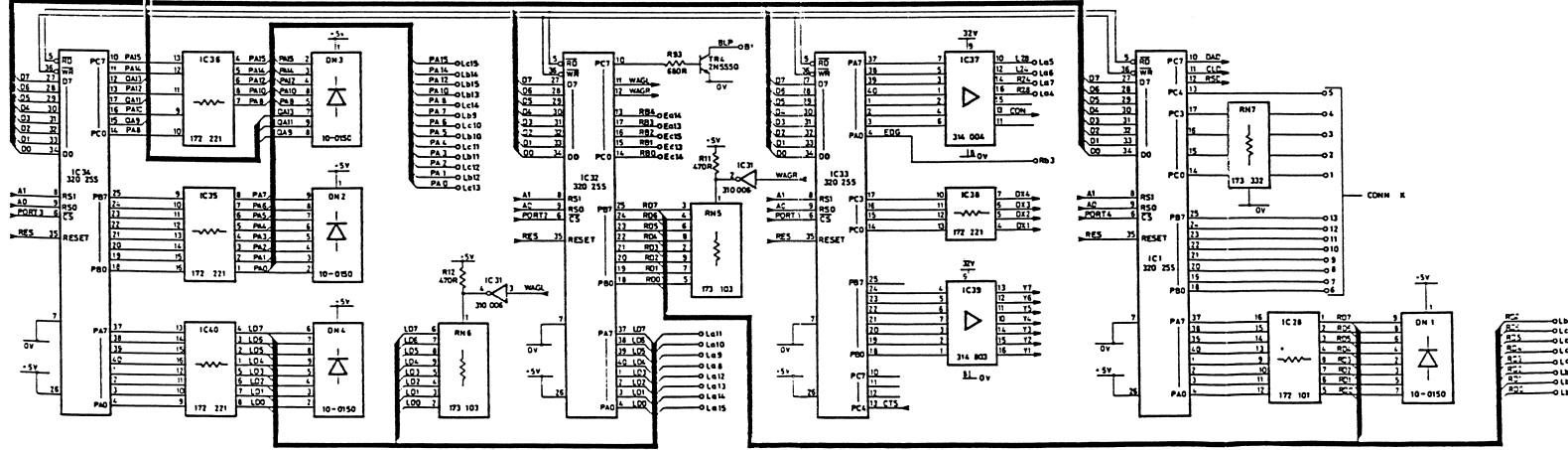


NOTE: 1. ALL UNSPECIFIED DIODES ARE 1N4148  
 2. UNLESS SPECIFIED RESISTORS ARE 5% 1/4W  
 3. ALL UNSPECIFIED CAPACITORS ARE 0.1uF 50V



DR	3 16/28/1 C15 63M	1.5
TRACE	4 10/28/1 C15 555	1.5
	3 13/28/1 C15 481	1.5
CHECK	12 27/1/1 C15 450	1.5
APPROV	7 13/1/1 C15 451	1.5
	18 17/4/5/1 C15 703	1.5
	ISS   DATE   CHANGE NO   APP   ISS   DATE   CHANGE NO   APP	

LIMITS, UNLESS OTHERWISE STATED  
 1. DECIMAL PLACE 2.5 0.2mm  
 2. DECIMAL PLACE 2.0 0.1mm  
 3. DECIMAL PLACE 2.0 0.1mm  
 DIMENSIONS APPLY AFTER FINISHING  
 REMOVE ALL BURRS AND SHARP EDGES  
 ANGLES 2°

DIMENSIONS IN \_\_\_\_\_ SCALE \_\_\_\_\_  
 MATERIAL \_\_\_\_\_  
 FINISH \_\_\_\_\_

stagg ELECTRONIC designs LTD

THIS DRAWING DOCUMENT PREPARED BY STAG ELECTRONIC DESIGN LTD ON THE ASSUMPTION THAT IT IS EXACTLY CORRECT AND THAT THE USER HAS CHECKED THE DRAWING FOR ANY ERRORS WITHOUT THE NEED OF WRITING TO US AT THE COMPANY.

7-3

TITLE MAIN SYSTEM PCB CIRCUIT DIAGRAM

100-020

SHT 2 OF 2

